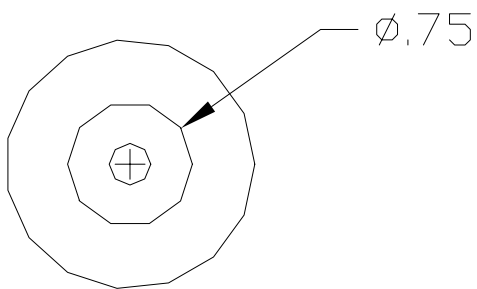
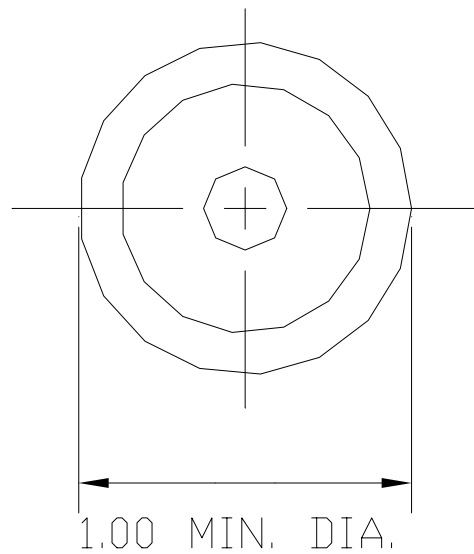
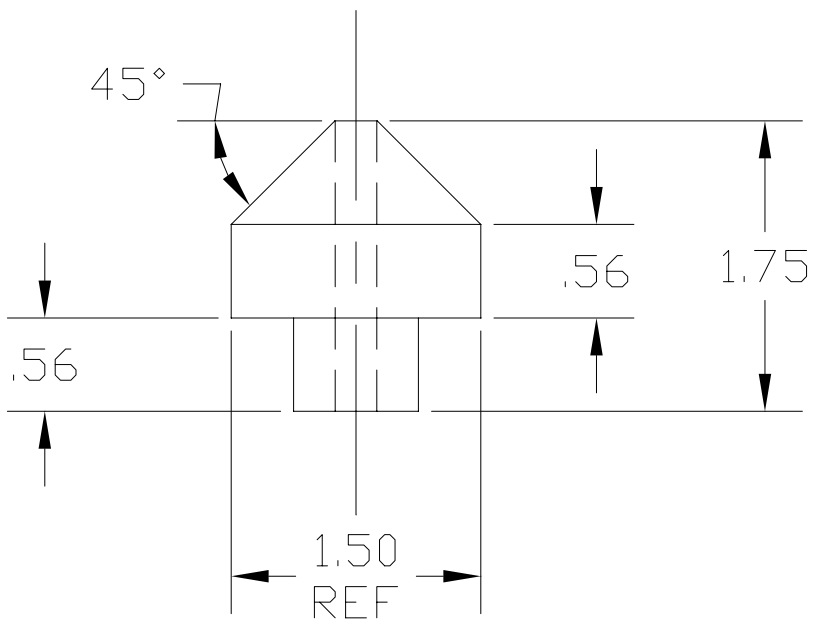
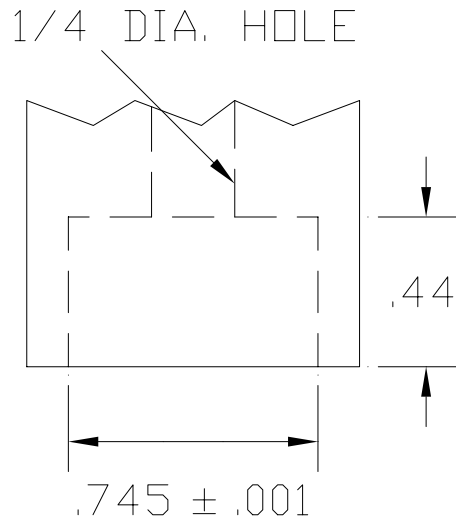


SEAL HOLDER



MATERIAL : POLYURETHANE 60 DURO

REF : ORIGINALLY MADE FOR

(1) CAVITY MOLD

	CINCINNATI TEST SYSTEMS, INC. 5555 DRY FORK RD. CLEVELAND, OH 45002	
	PHONE 513-367-6699	FAX 513-367-5426
SEAL HCM-370	DATE 01-12-04	