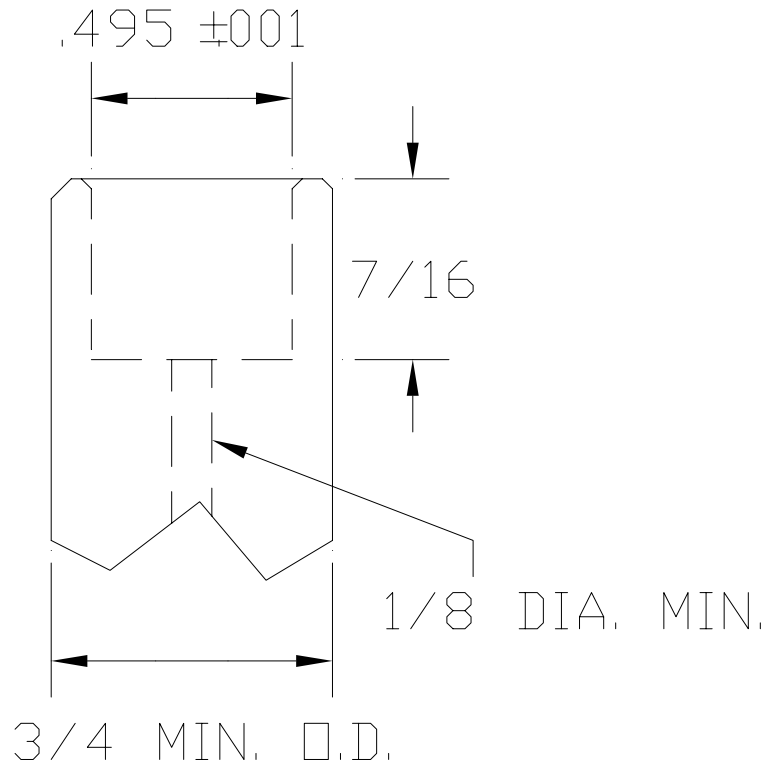
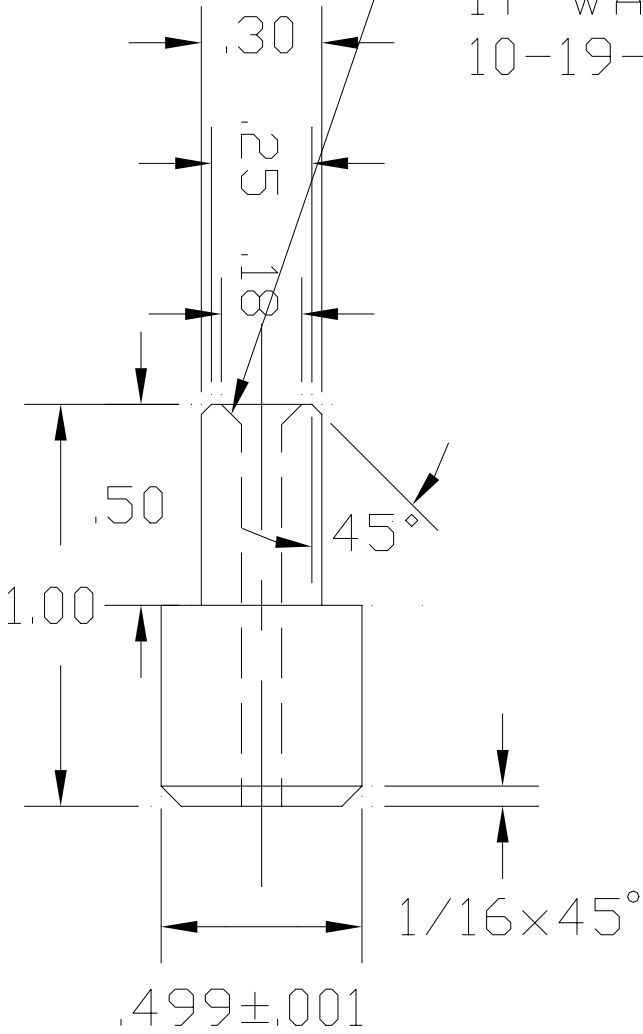


THIS CHAMFER
MISSING ON MOLD
NOT KNOWN WHEN
IT WAS REMOVED
10-19-04 R.K.

SEAL HOLDER



	CINCINNATI TEST SYSTEMS, INC. 5555 DRY FORK RD. CLEVELAND, OH 45002	
	PHONE 513-367-6699	FAX 513-367-5426
SEAL HCM-01	DATE 11-07-97	