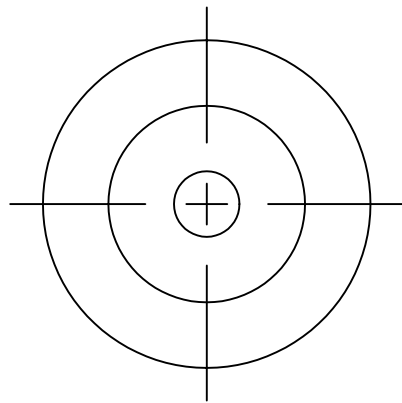
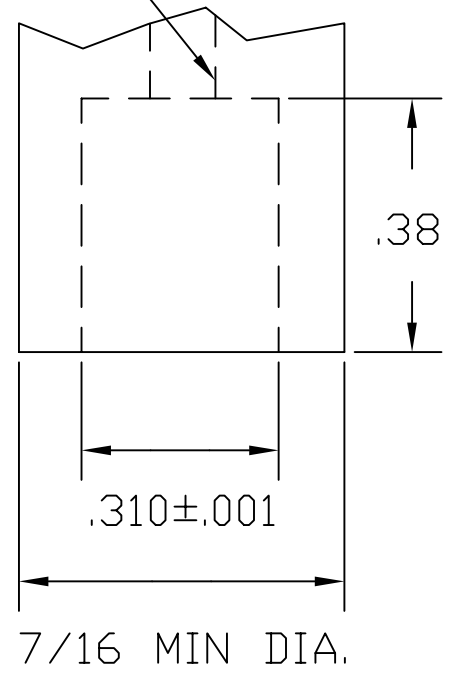



SEAL HOLDER
 $3/32$ DIA. HOLE



	CINCINNATI TEST SYSTEMS, INC. 5555 DRY FORK RD. CLEVELAND, OH 45002		
	PHONE 513-367-6699	FAX 513-367-5426	
SEAL	CTS-20C		
	DATE	11-07-97	