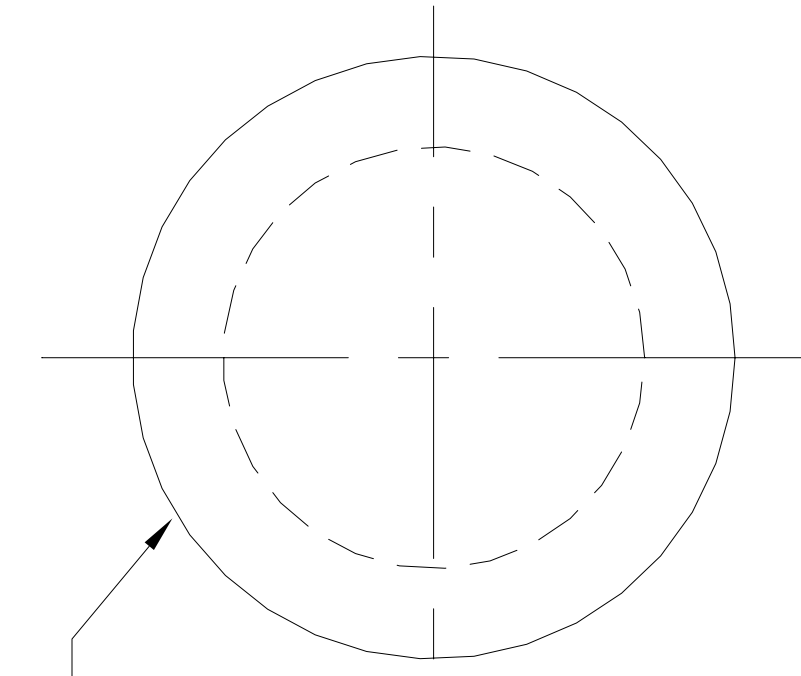
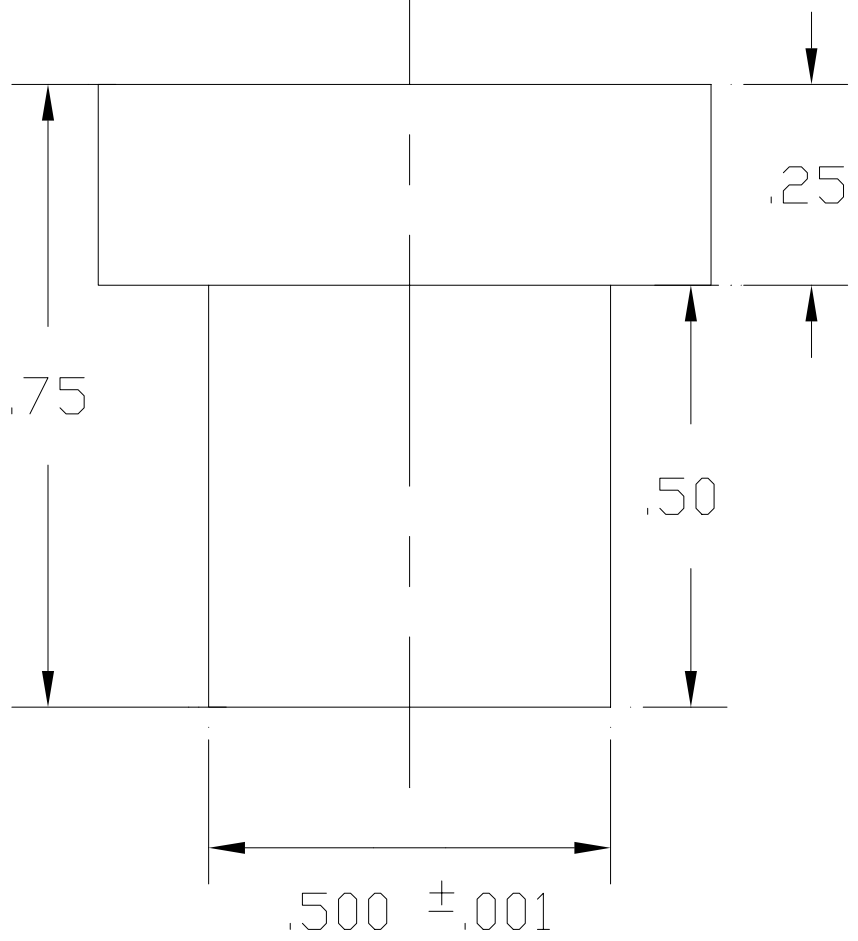
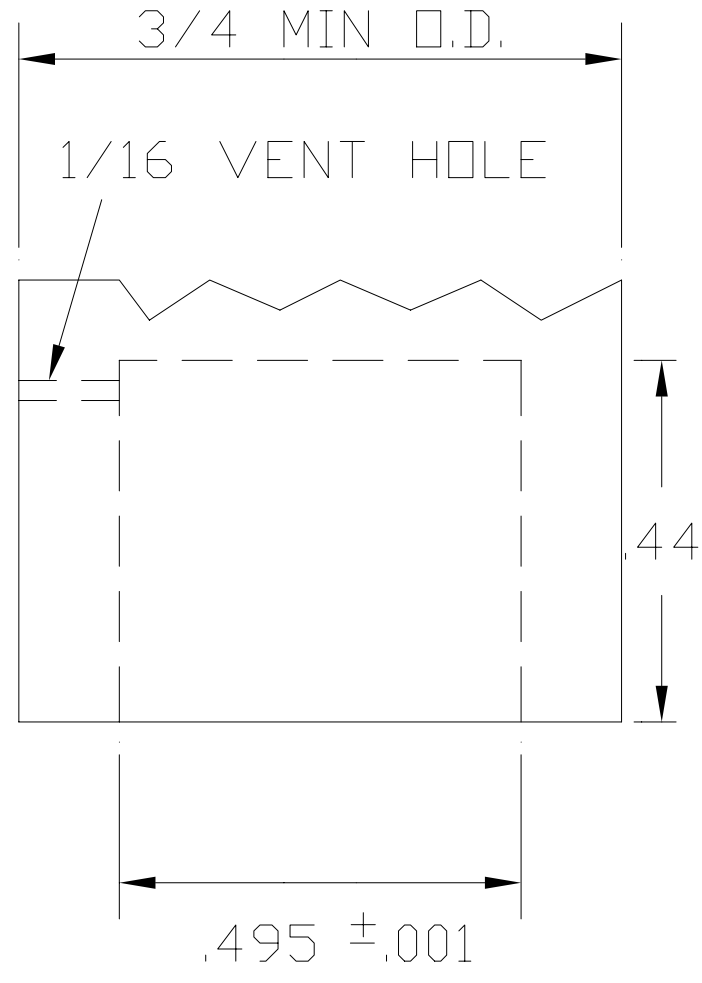


SEAL HOLDER



.75 DIA.



	CINCINNATI TEST SYSTEMS, INC.	
	5555 DRY FORK RD. CLEVELAND, OH 45002	
PHONE	513-367-6699	FAX 513-367-5426
SEAL	CTS-11D	
		DATE 11-07-97