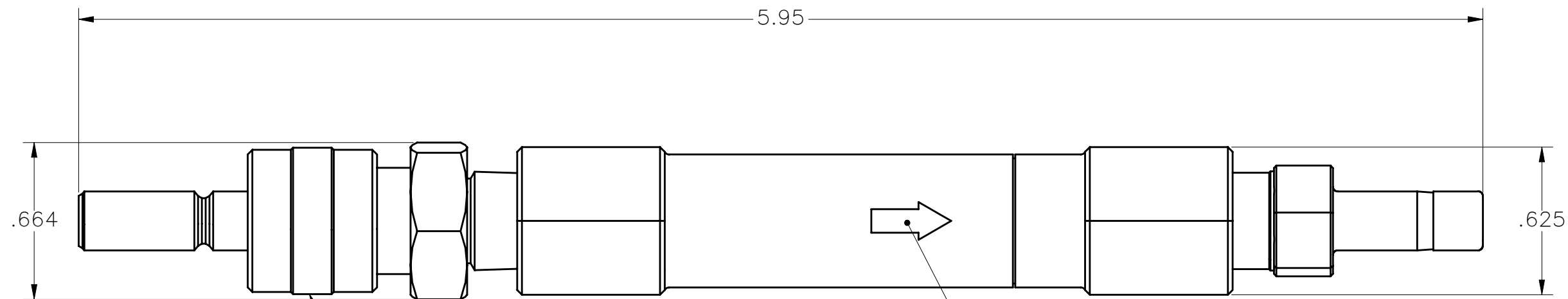
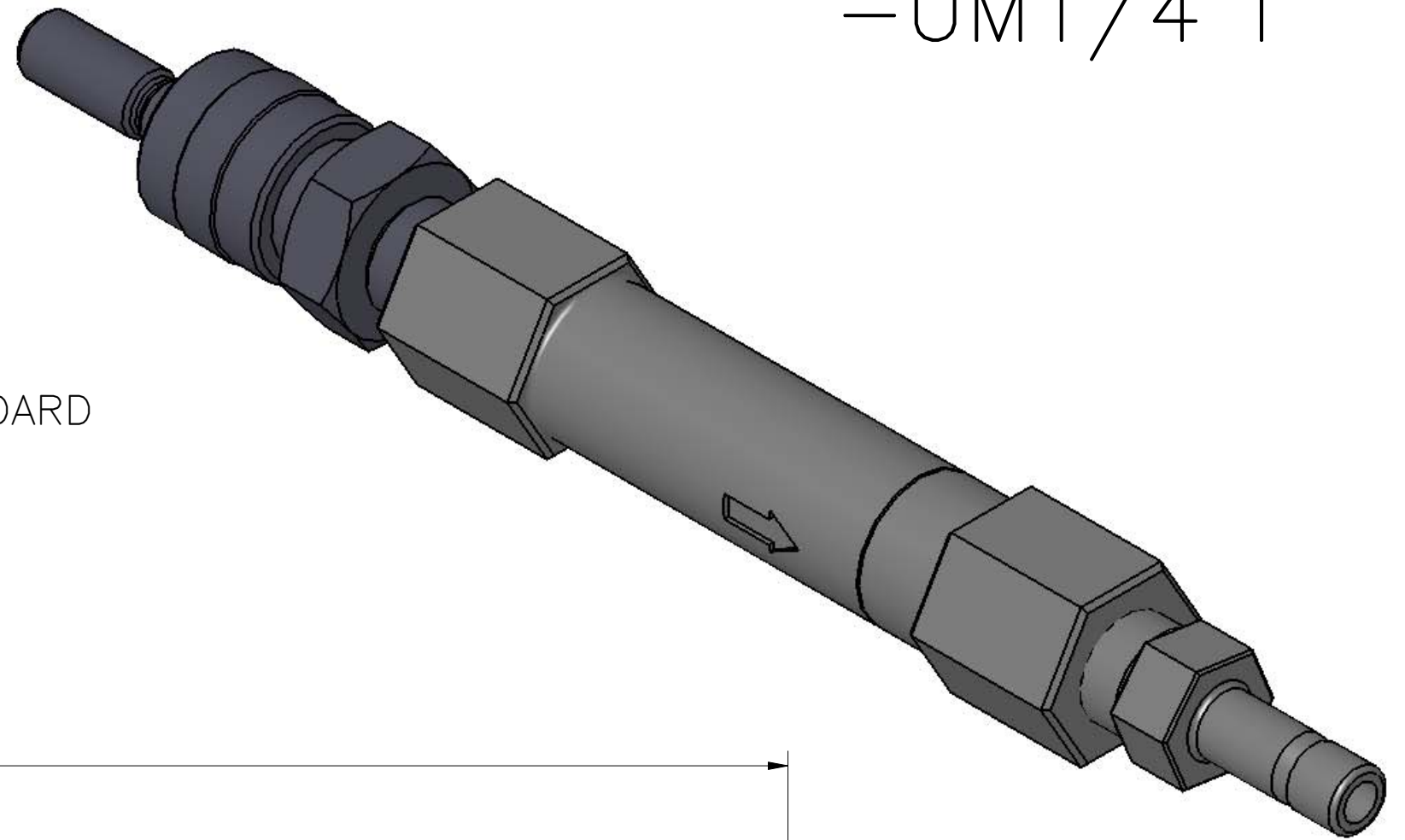




-UM1/4"T

DROP IN REPLACEMENT FOR USON LEAK STANDARD



CONNECTS TO
SWAGELOK QUICK CONNECT
B-QC4-B STYLE

DIRECTION OF FLOW

DESCRIPTION: LEAK STANDARD USON REPLACEMENT M 1/4" T		UNLESS OTHERWISE SPECIFIED BREAK ALL SHARP CORNERS			 5555 DRY FORK RD., CLEVELAND, OH 43002
MATERIAL:		TOLERANCES: 1 PLACE DECIMAL ± .060" [0.50mm] 2 PLACE DECIMAL ± .020" [0.13mm] 3 PLACE DECIMAL ± .005" ANGULAR DIMS ± 0° 30'			
FINISH:		✓ INDICATES 125/ 500 MAXIMUM FINISH REQ'D ON SURFACES WITHOUT A SYMBOL		TITLE:	REV:
QUANTITY:	HEAT TREAT:	DRILLED AND COUNTERBORED HOLE DIAMETERS: -.005" / +.015" [-0.13mm / +0.4mm]		DRAWN BY:	DATE:
				CHECKED BY:	DWG NO. LEAK STANDARD 520-UM1/4" T
				SCALE: 1:1	SHEET:

SolidWorks 2008

Wednesday, April 15, 2008