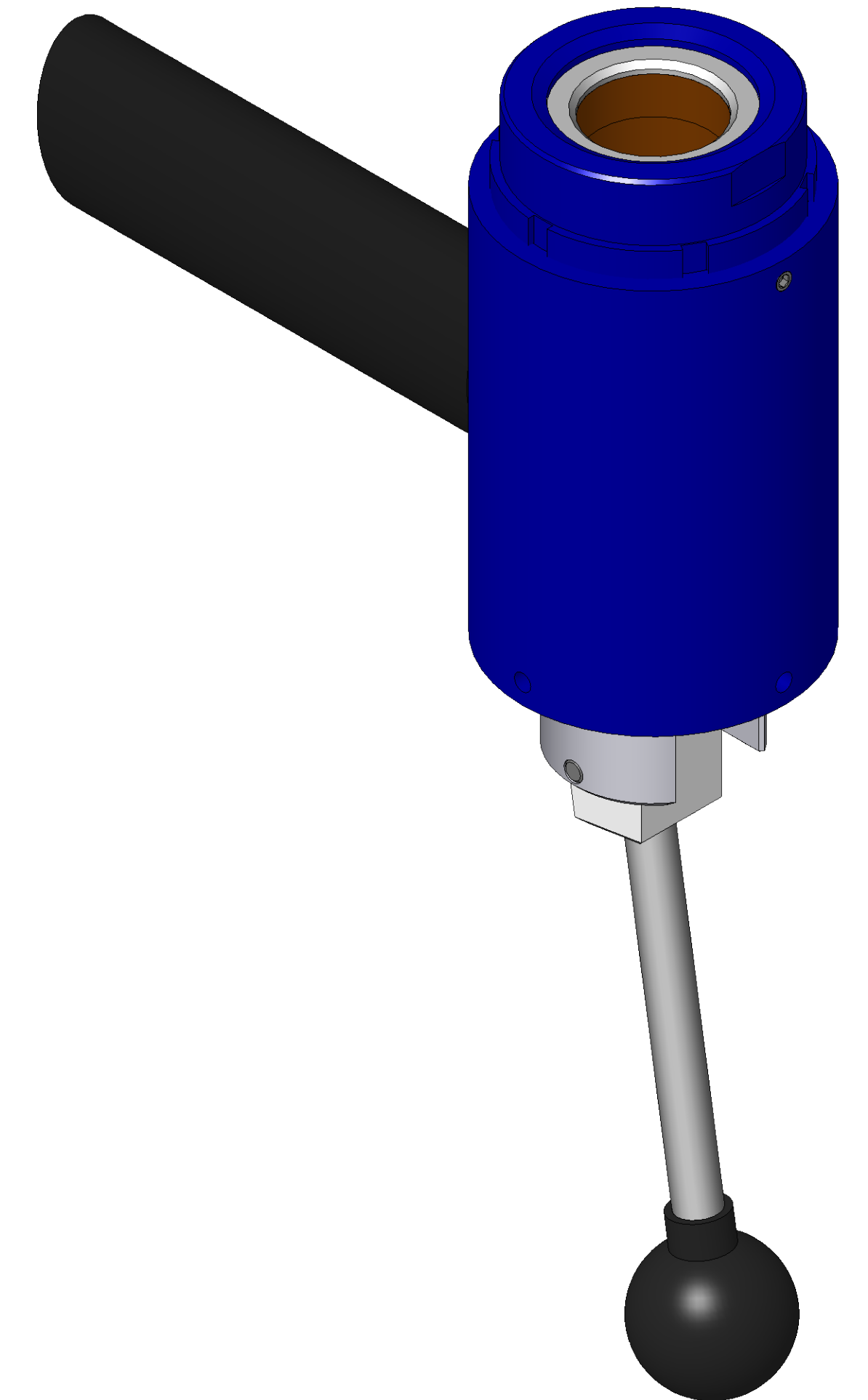


SECTION A-A  
SCALE 1 : 1



ITEM NO.	PART NUMBER	DESCRIPTION	QTY.
10	MACH-004224	Body, CTS, HO33	1
20	MACH-005572	Handle, CTS, HO32-33	1
30	MACH-004272	Cap, CTS, HO33	1
40	MACH-005385	Piston, CTS, HO33	1
50	MACH-005554	Cam, CTS, HO32-33	1
60	MACH-005531	Clevis, CTS, HO32-33	1
70	MACH-005603	Lever, CTS, HI30-32	1
80	MACH-004688	Stem, CTS, HO32-33	1
90	HDWX-035089	Screw, Socket Set, 10-32 x .1875in	1
100	HDW-005573	Knob, Connect, McMaster, 6046K4	1
110	SEAL-005457	CO33-ORING 223	2
120	SEAX-008687	Oring, 328, Buna-N	1
130	HDWX-035092	Dowel Pin, Connect, .1875 x 1.625in	1
140	HDWX-035088	Screw, Socket Set Ext Tip, 8-32 x 0.375in	4
150	SEAL-005192	Seal, CTS, CO33-AF	2
160	MACH-004520	Washer, CTS, CO33-AF	2
170	HDW-005566	Handle Grip, Connect, SA-1073	1



SIZE	DESCRIPTION			
D	Connect Assembly, CTS, HOH33-AF			
PART NUMBER	REV			
CTSC-004073	A			
DATE	DRAWN BY	CHECKED BY	SHEET	OF
4/8/26	KM	KM	1	1

FILE LOCATION: C:\PDM\PDM\R&D Product Development\CTS Connects\HO\Connect Assembly\HOH\HOH33\CTSC-004073\

Wednesday, April 8, 2026