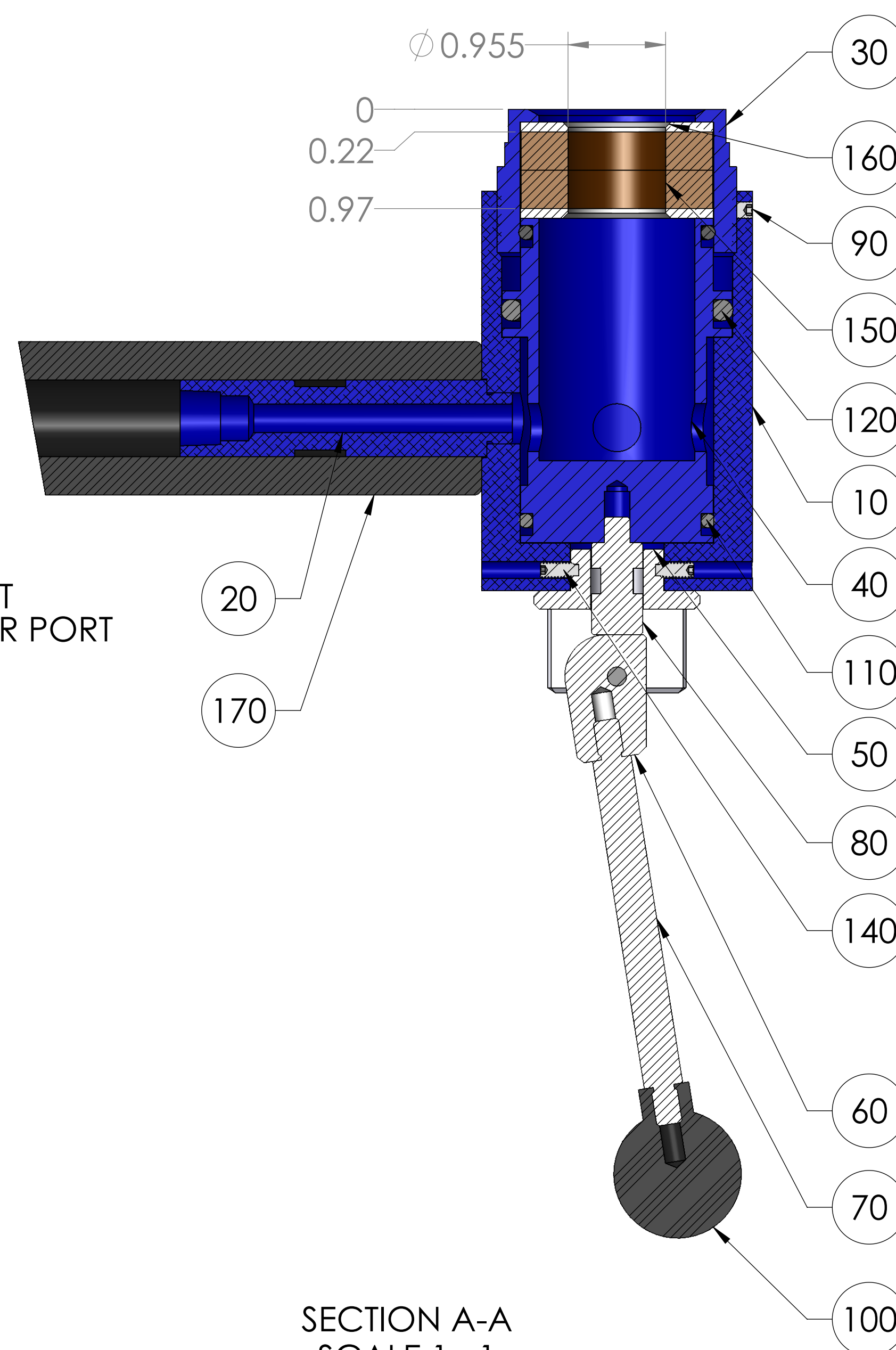
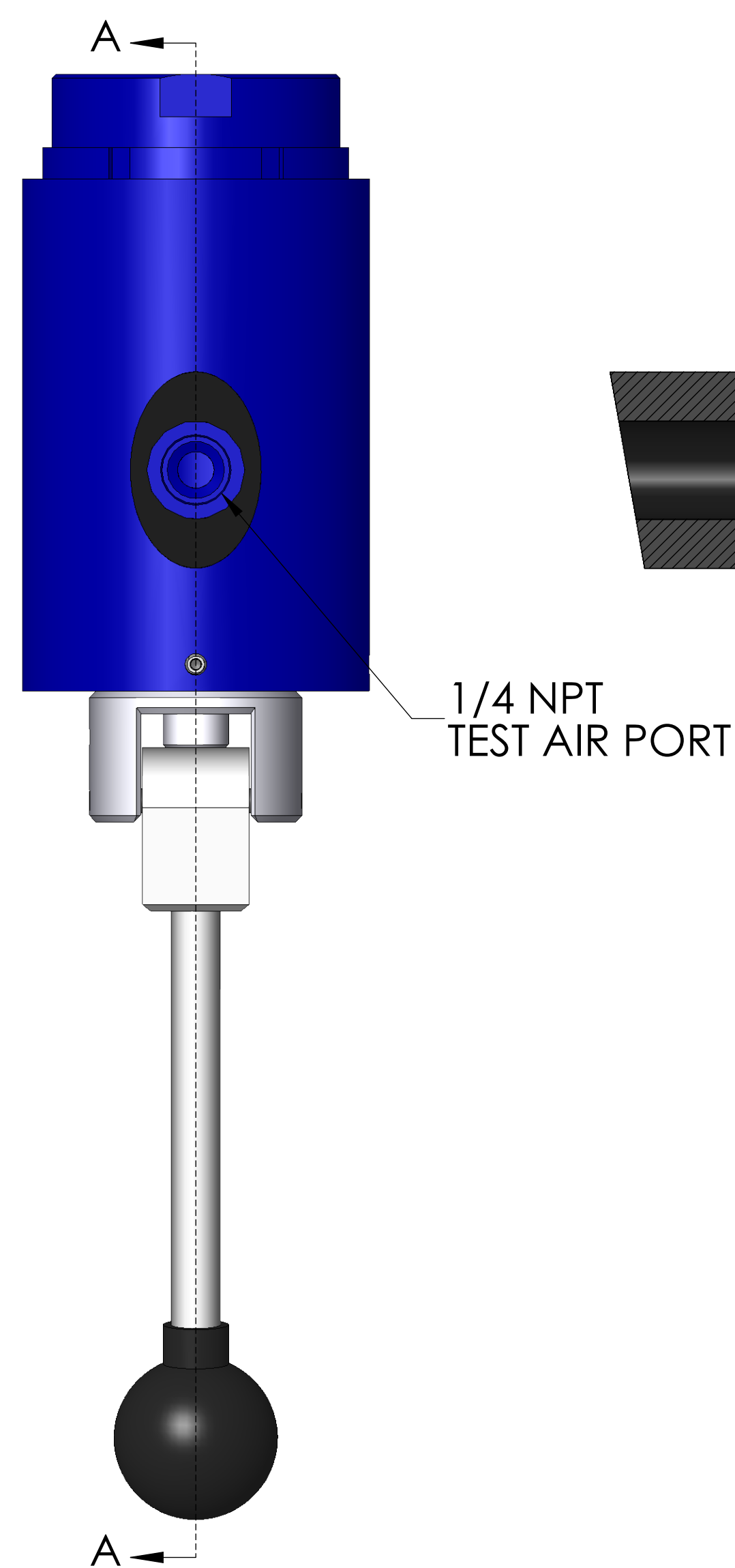
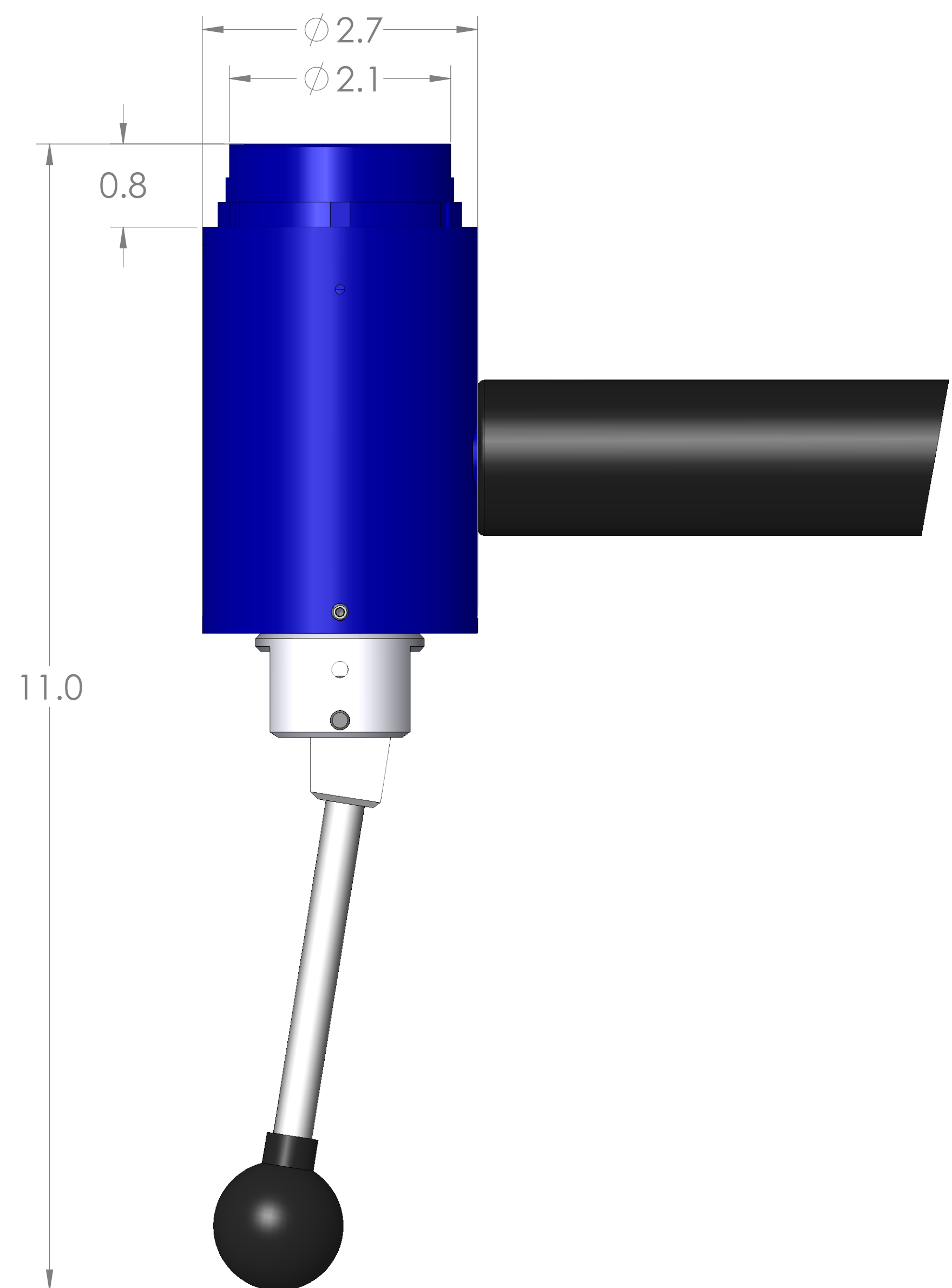
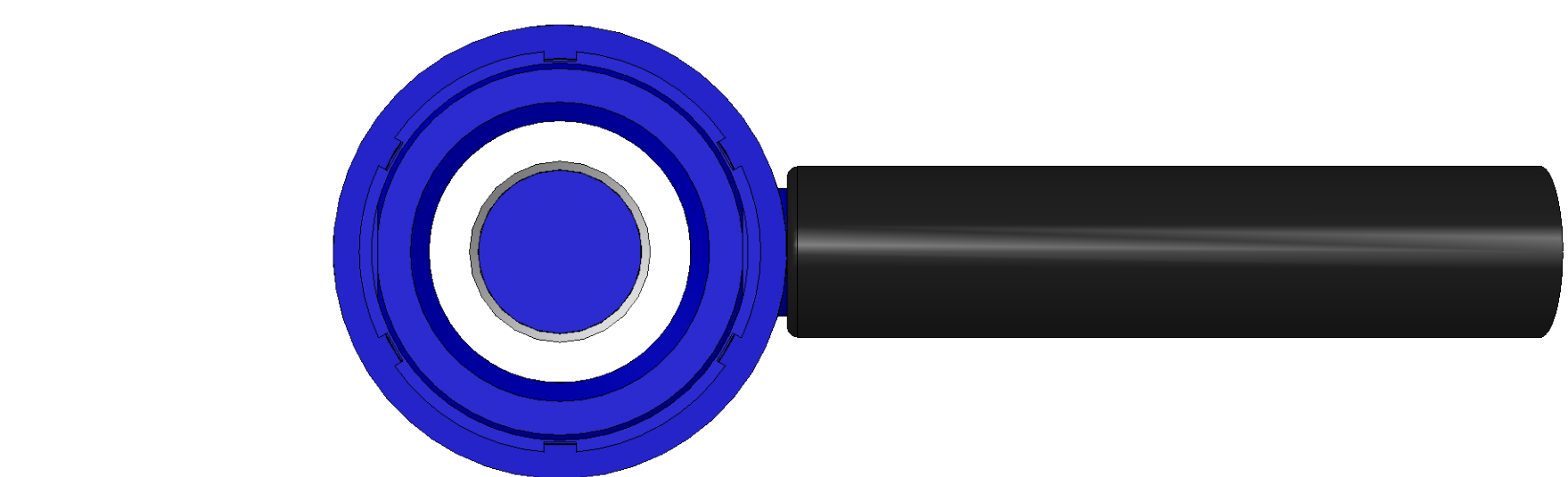
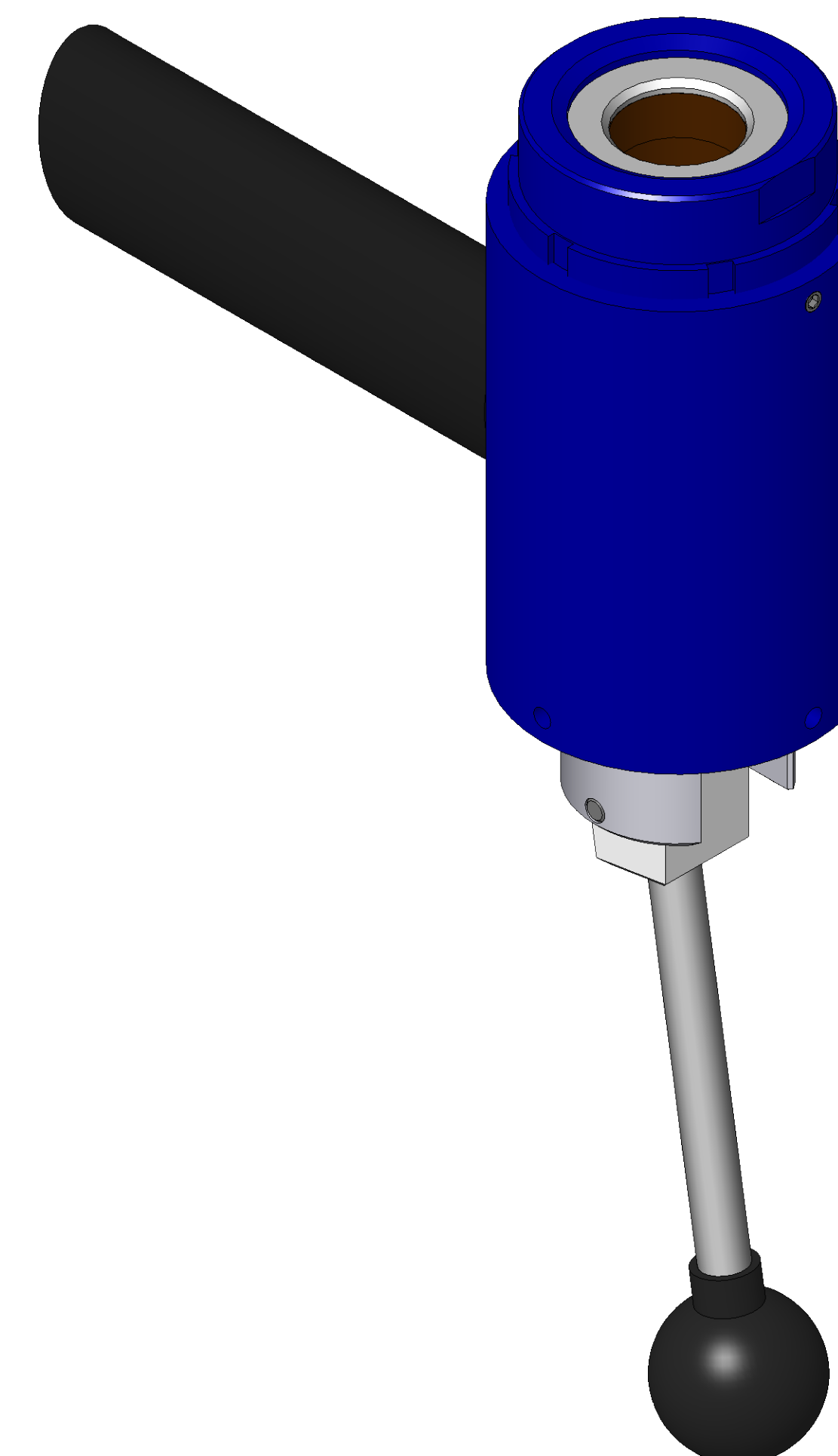


| ITEM NO. | PART NUMBER | DESCRIPTION | QTY. |
|----------|-------------|---|------|
| 10 | MACH-004224 | Body, CTS, HO33 | 1 |
| 20 | MACH-005572 | Handle, CTS, HO32-33 | 1 |
| 30 | MACH-004272 | Cap, CTS, HO33 | 1 |
| 40 | MACH-005385 | Piston, CTS, HO33 | 1 |
| 50 | MACH-005554 | Cam, CTS, HO32-33 | 1 |
| 60 | MACH-005531 | Clevis, CTS, HO32-33 | 1 |
| 70 | MACH-005603 | Lever, CTS, HI30-32 | 1 |
| 80 | MACH-004688 | Stem, CTS, HO32-33 | 1 |
| 90 | HDWX-035089 | Screw, Socket Set, 10-32 x .1875in | 1 |
| 100 | HDW-005573 | Knob, Connect, McMaster, 6046K4 | 1 |
| 110 | SEAL-005457 | CO33-ORING 223 | 2 |
| 120 | SEAX-008687 | Oring, 328, Buna-N | 1 |
| 130 | HDWX-035092 | Dowel Pin, Connect, .1875 x 1.625in | 1 |
| 140 | HDWX-035088 | Screw, Socket Set Ext Tip, 8-32 x 0.375in | 4 |
| 150 | SEAL-005182 | Seal, CTS, CO33-AC | 2 |
| 160 | MACH-004517 | Washer, CTS, CO33-AC | 2 |
| 170 | HDW-005566 | Handle Grip, Connect, SA-1073 | 1 |



SECTION A-A
SCALE 1 : 1



| | | | | |
|-------------|---------------------------------|------------|-------|----|
| SIZE | DESCRIPTION | | | |
| D | Connect Assembly, CTS, HOH33-AC | | | |
| PART NUMBER | REV | | | |
| CTSC-004065 | A | | | |
| DATE | DRAWN BY | CHECKED BY | SHEET | OF |
| 4/8/26 | KM | KM | 1 | 1 |