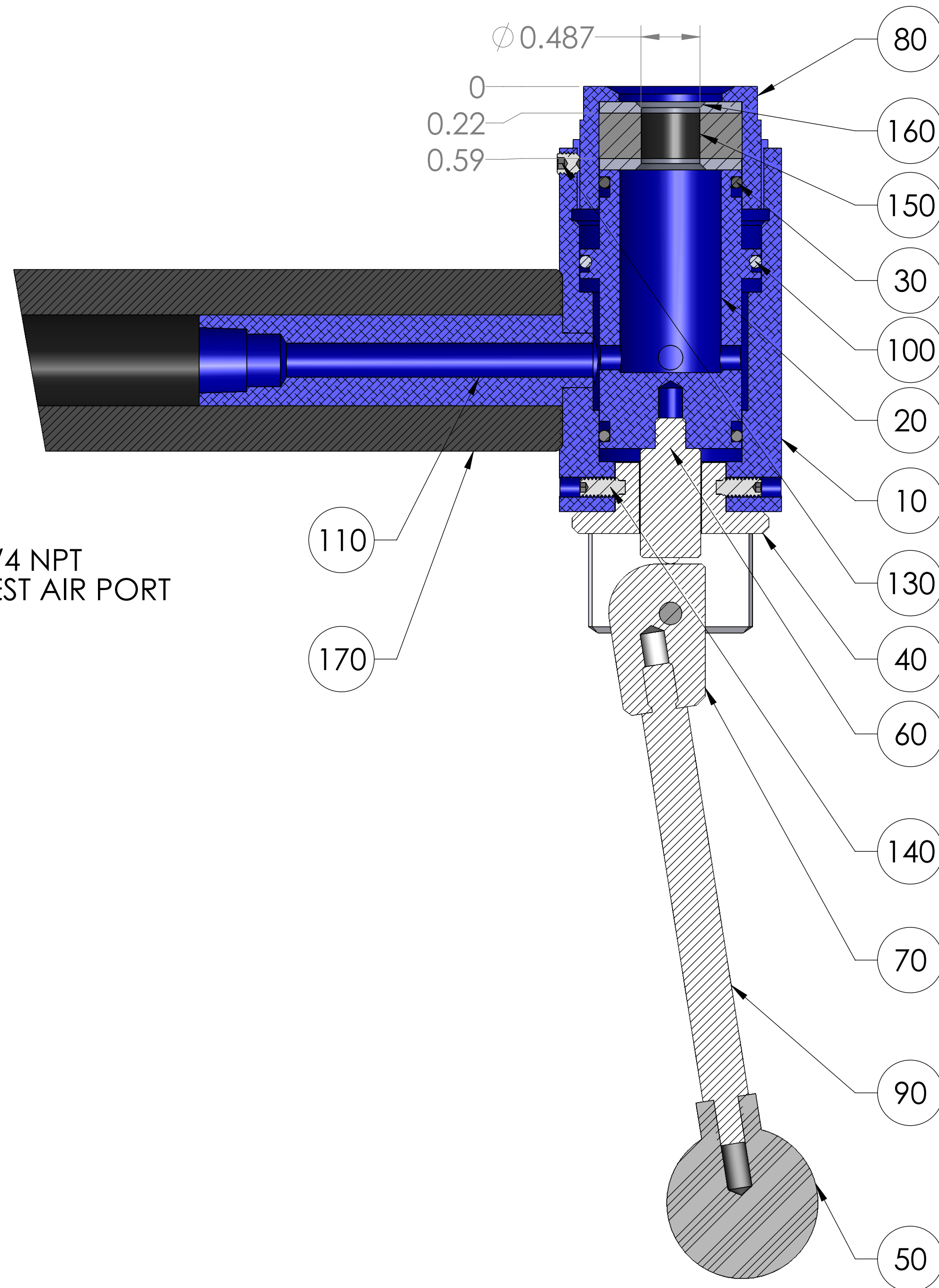
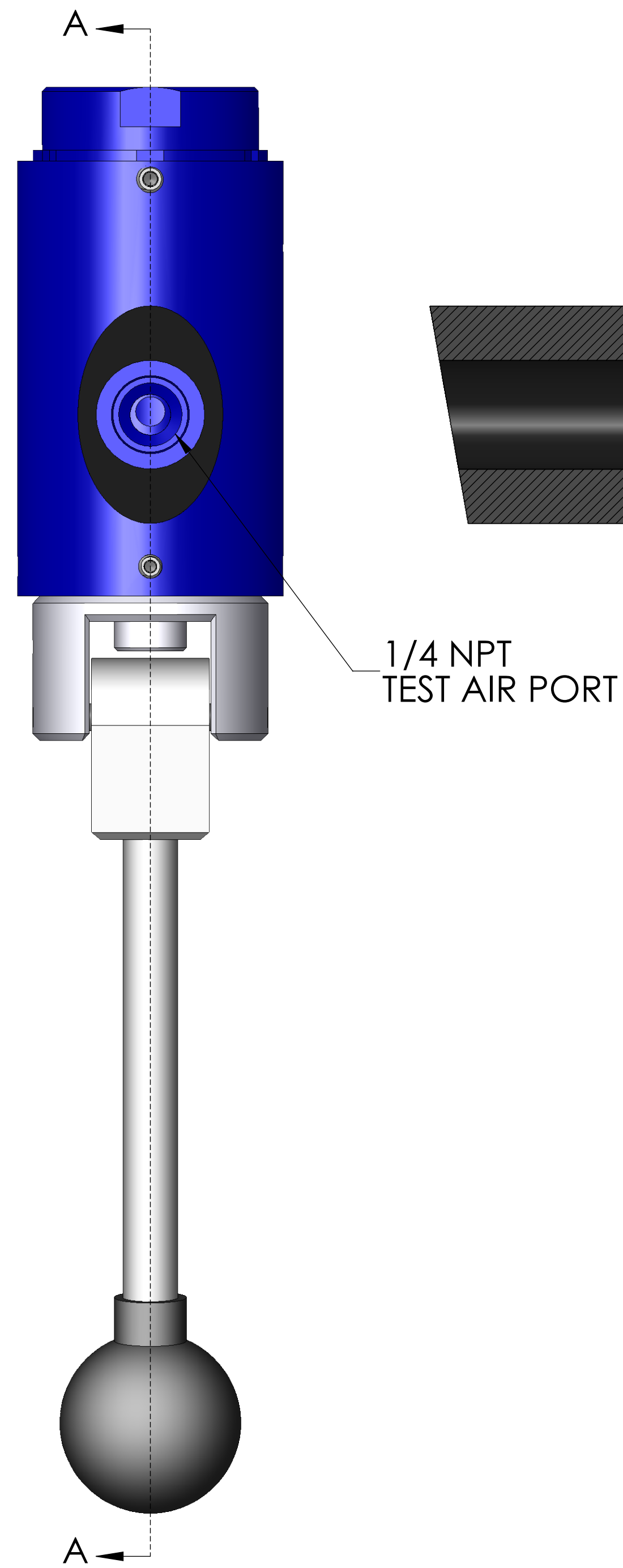
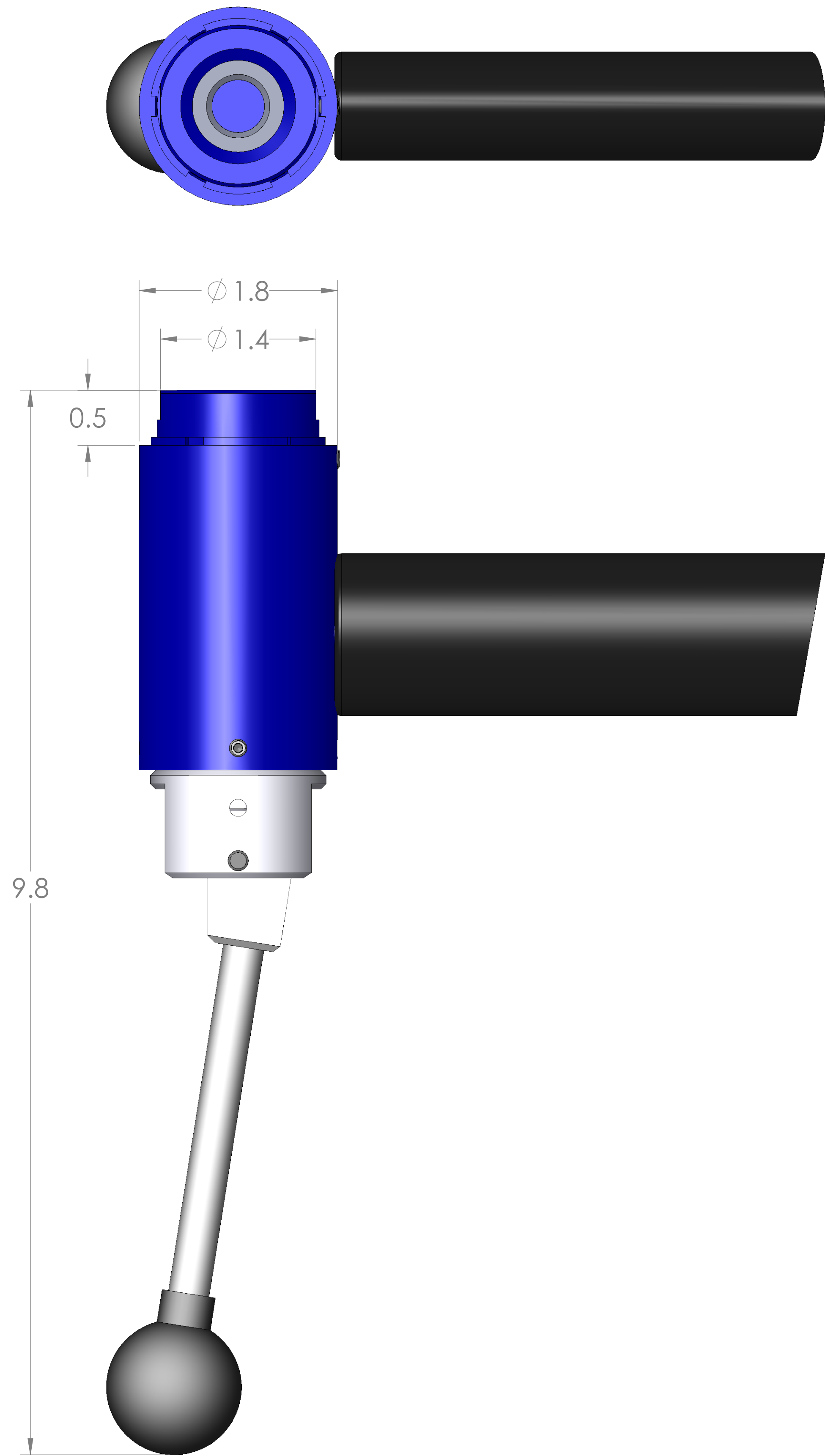
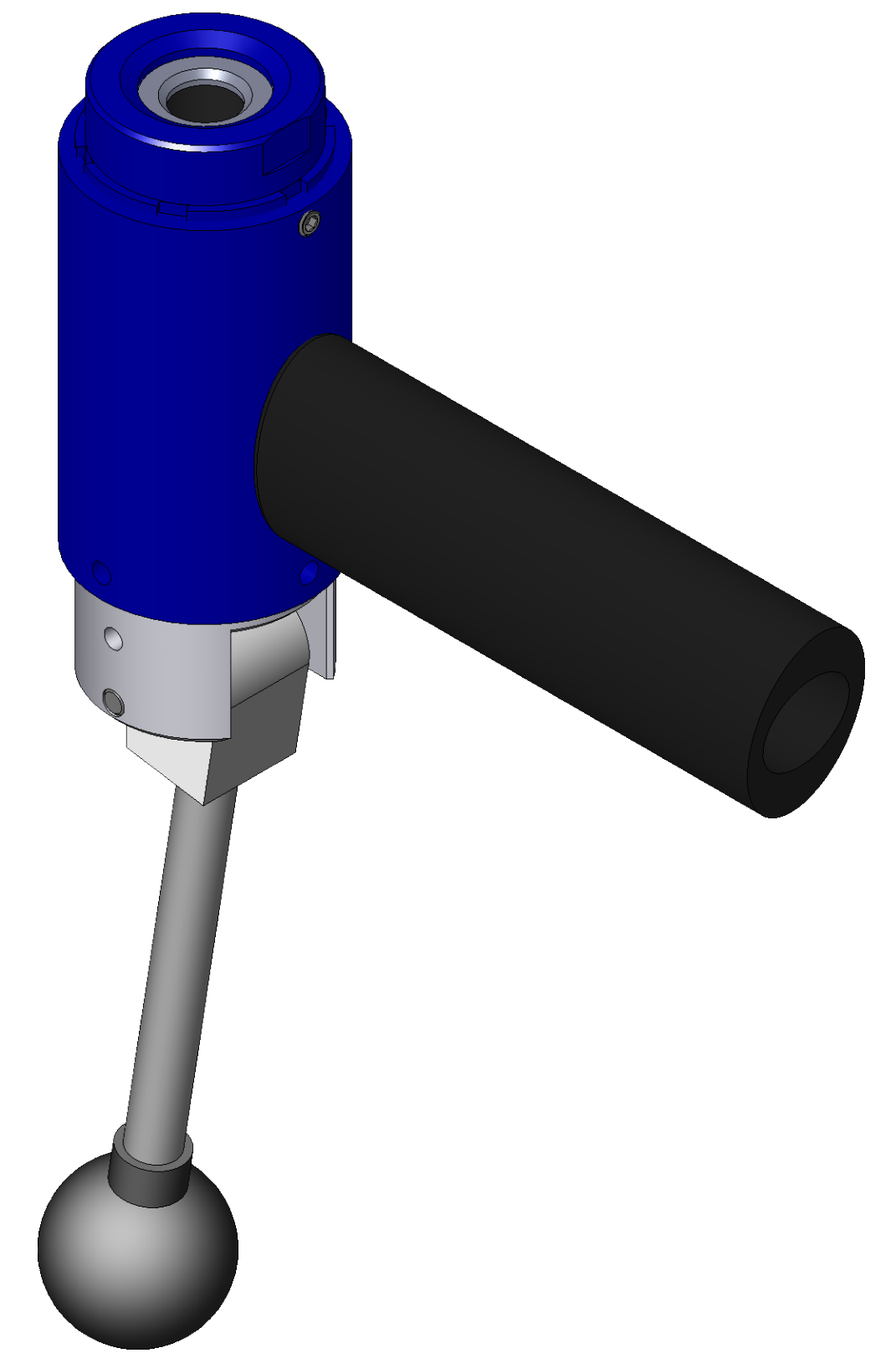


ITEM NO.	PART NUMBER	DESCRIPTION	QTY.
10	MACH-004223	Body, CTS, HO32	1
20	MACH-005384	Piston, CTS, HO32	1
30	SEAL-005455	CO32-ORING 120	2
40	MACH-005554	Cam, CTS, HO32-33	1
50	HDW-005573	Knob, Connect, McMaster, 6046K4	1
60	MACH-004688	Stem, CTS, HO32-33	1
70	MACH-005531	Clevis, CTS, HO32-33	1
80	MACH-004271	Cap, CTS, HO32	1
90	MACH-005603	Lever, CTS, HI30-32	1
100	SEAX-008551	Oring, 125, Buna-N	1
110	MACH-005572	Handle, CTS, HO32-33	1
120	HDWX-035092	Dowel Pin, Connect, .1875 x 1.625in	1
130	HDWX-035089	Screw, Socket Set, 10-32 x .1875in	1
140	HDWX-035088	Screw, Socket Set Ext Tip, 8-32 x 0.375in	4
150	SEAL-005166	Seal, CTS, CO32-M12	1
160	MACH-004512	Washer, CTS, CO32-M12	2
170	HDW-005566	Handle Grip, Connect, SA-1073	1



SECTION A-A
SCALE 4 : 3



SIZE	DESCRIPTION	
D	Connect Assembly, CTS, HOH32-M12	
PART NUMBER	CTSC-004015	REV A
DATE	4/7/26	DRAWN BY KM CHECKED BY KM SHEET 1 OF 1

FILE LOCATION: C:\PDM\PDM\R&D Product Development\CTS Connects\HO\Connect Assembly\HOH\HOH32\CTSC-004015\

Wednesday, April 8, 2026