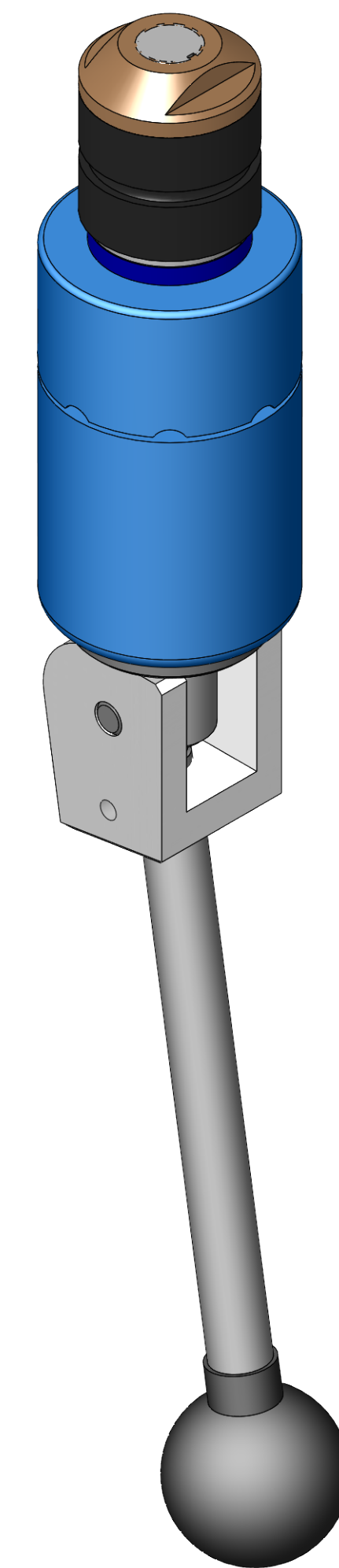


SECTION A-A



| ITEM NO. | PART NUMBER | DESCRIPTION | QTY. |
|----------|-------------|--|------|
| 10 | MACH-004211 | Body w No Fill Port, CTS, HI34 | 1 |
| 20 | MACH-004268 | Cap, CTS, HI33-35 | 1 |
| 30 | MACH-005527 | Clevis, CTS, HI33-35 | 1 |
| 40 | MACH-005604 | Lever, CTS, HI33-35 | 1 |
| 50 | HDW-005573 | Knob, Connect, McMaster, 6046K4 | 1 |
| 60 | MACH-004675 | Stem w No Fill Port, CTS, HI34 | 1 |
| 70 | HDW-034019 | Washer, Connect, Flat Reid, FW-5 | 1 |
| 80 | HDW-005412 | Spring, Connect, LC-063L-2-S | 1 |
| 90 | HDWX-035090 | Screw, Socket Set, .25-20 x .3125in | 1 |
| 100 | HDWX-035093 | Dowel Pin, Connect, .25 x 1.125in | 1 |
| 110 | HDW-005551 | Sleeve Bearing, Connect, .878 ID x 1.128 OD x 1.0 LG | 1 |
| 120 | SEAL-005339 | Seal, CTS, HI34-AC1 | 1 |
| 130 | MACH-004400 | Nose, CTS, HI34-AC1 | 1 |
| 140 | MACH-004452 | Washer, CTS, CI34-AA | 1 |
| 150 | MACH-004973 | Spacer, CTS, CI34 | 1 |



10100 PROGRESS WAY HARRISON, OH 45030

| | | |
|-------------|---------------------------------|------------|
| SIZE | DESCRIPTION | REV |
| D | Connect Assembly, CTS, HI34-AC1 | A |
| PART NUMBER | CTSC-003553 | |
| DATE | DRAWN BY | CHECKED BY |
| 10/19/18 | JAW | JAW |
| SHEET | | 1 OF 1 |