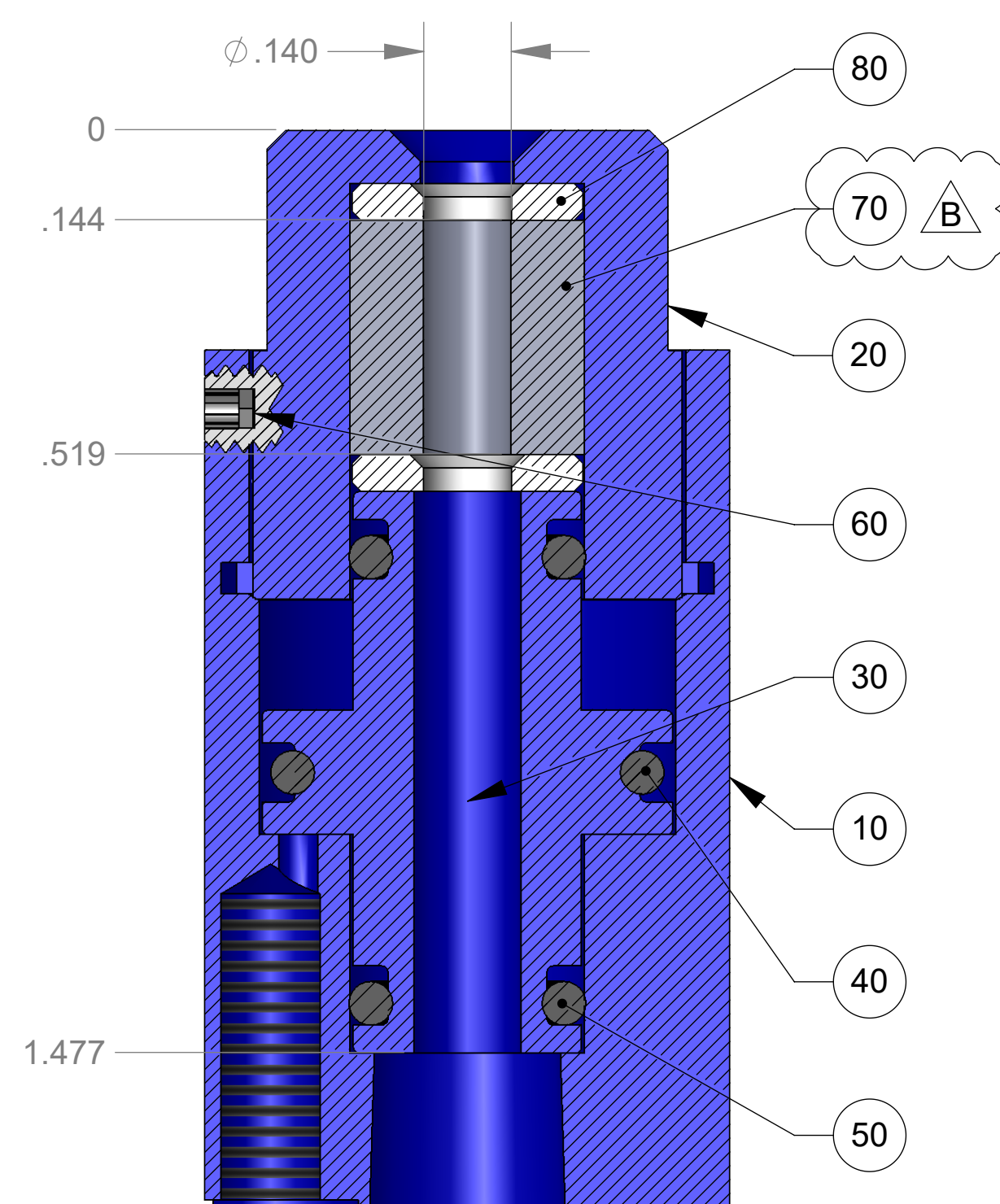
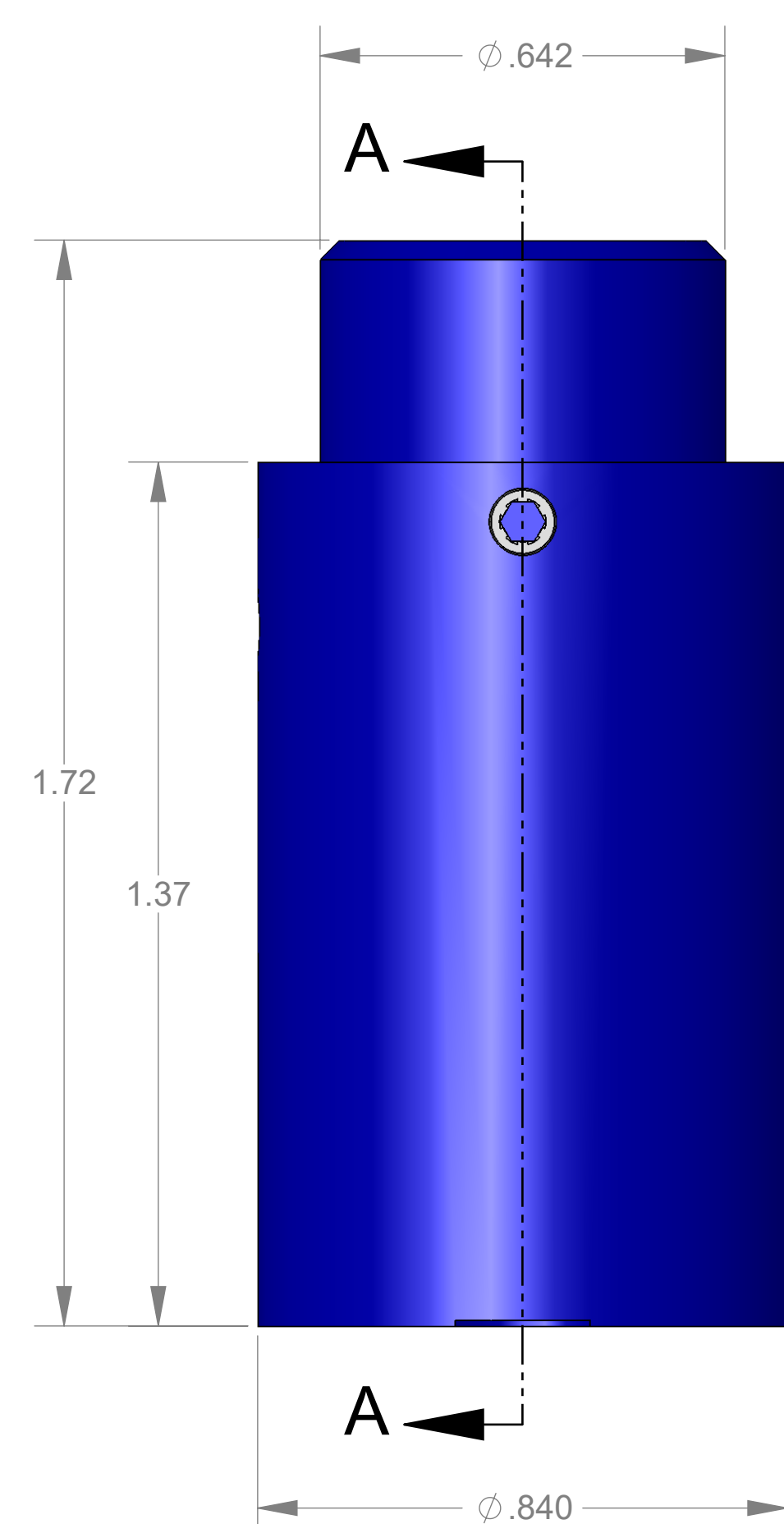
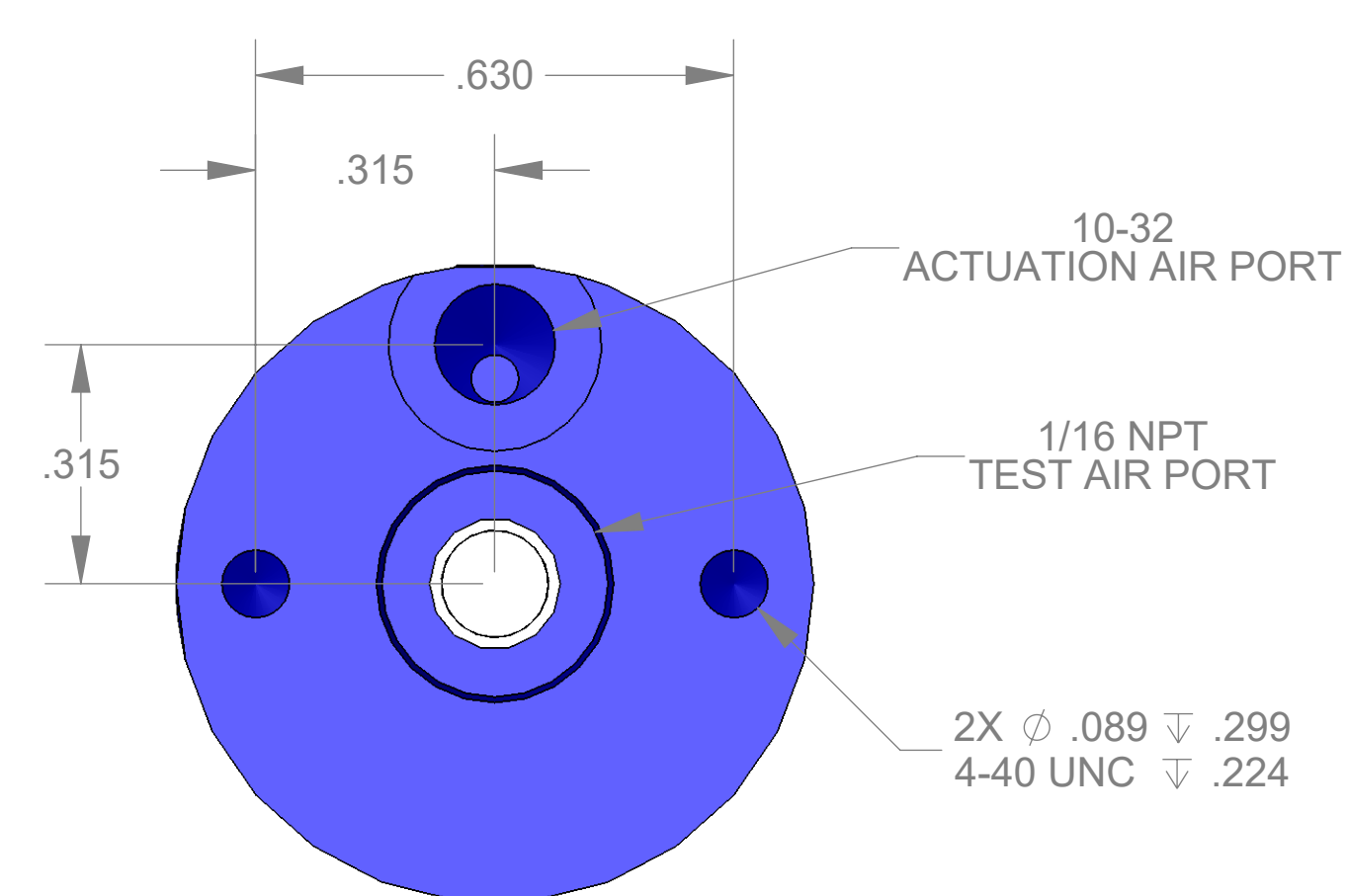
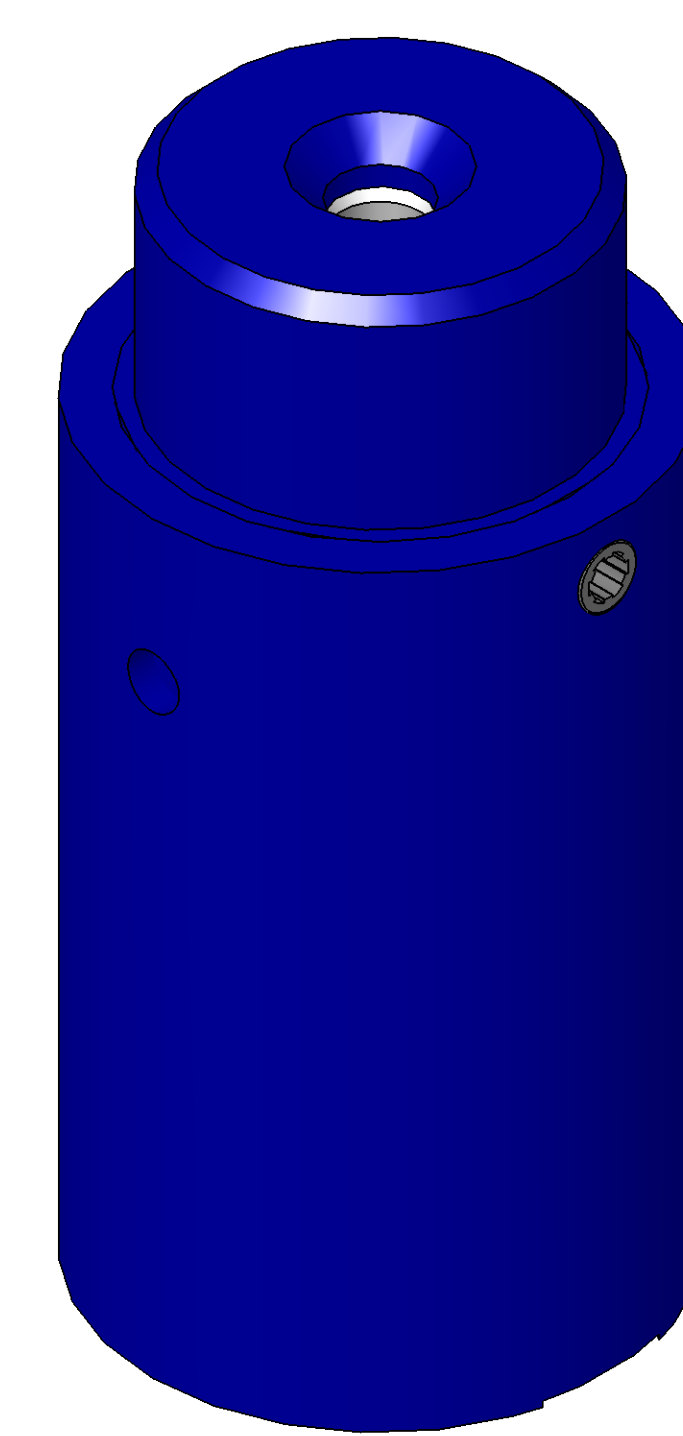


ITEM NO.	PART NUMBER	DESCRIPTION	QTY.
10	MACH-004191	Body, CTS, CO30	1
20	MACH-004259	Cap, CTS, CO30	1
30	MACH-005375	Piston, CTS, CO30	1
40	SEAL-005452	CO30-ORING 014	1
50	SEAL-005451	CO30-ORING 010	2
60	HDW-005512	Screw, Socket Set, 6-32 x .125in	1
70	MACH-005048	Seal, CTS, CO30-AC-M	1
80	MACH-004495	Washer, CTS, CO30-AC	2



SECTION A-A  
SCALE 4 : 1



REVISIONS			
REV.	DESCRIPTION	DATE	APPROVED
A	Initial Release	10-10-2025	KM
B	Changed material of seal	10-31-2025	KM



SIZE	D	DESCRIPTION	Connect Assembly, CTS, CO30-AC-M
PART NUMBER	CTSC-002775		REV B
DATE	10/10/25	DRAWN BY KM	CHECKED BY KM SHEET 1 OF 1

FILE LOCATION: C:\Solidworks\PDM\PDM\R&D Product Development\CTS Connects\CO\Connect Assembly\Medical\CO30\CTSC-002775\