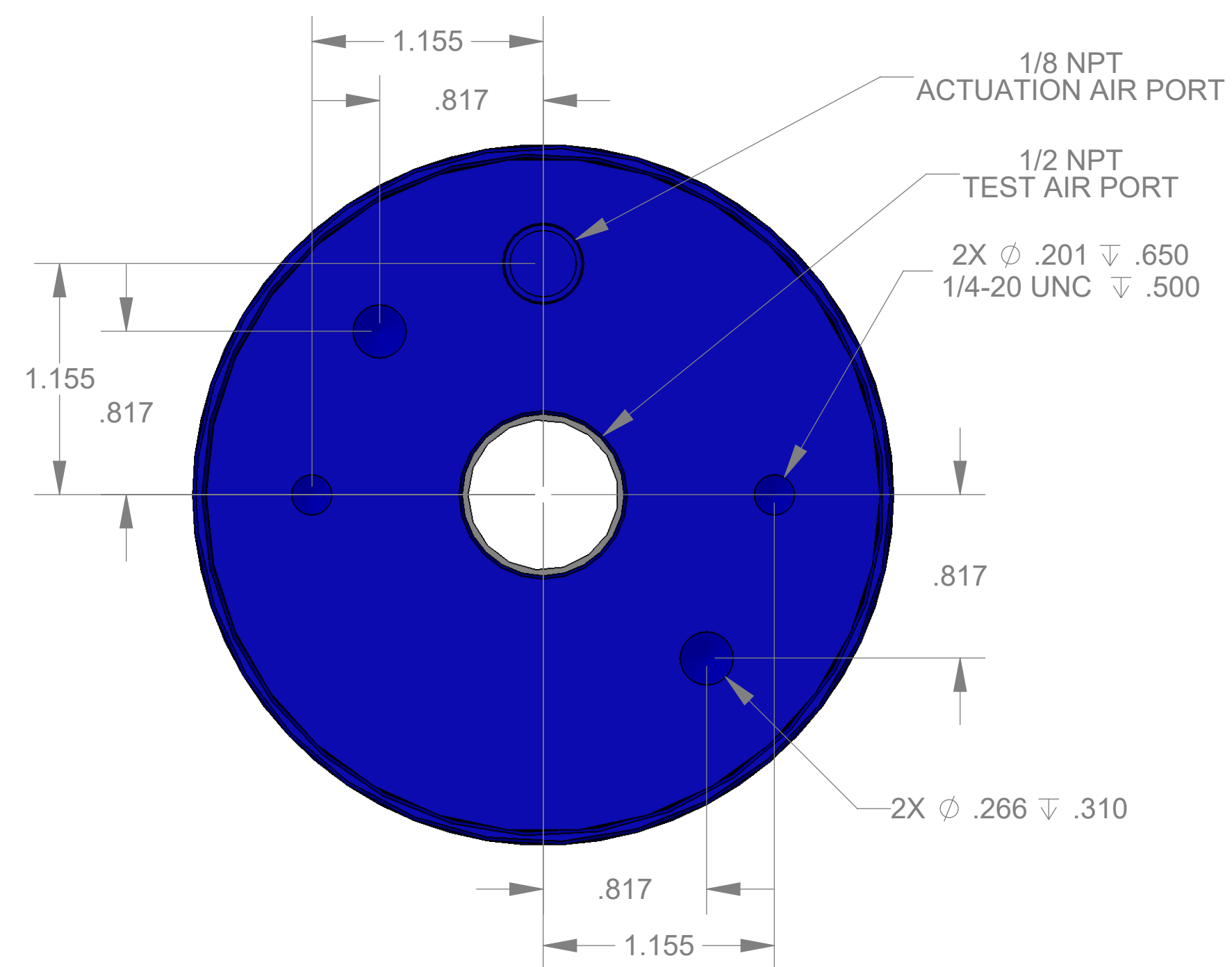
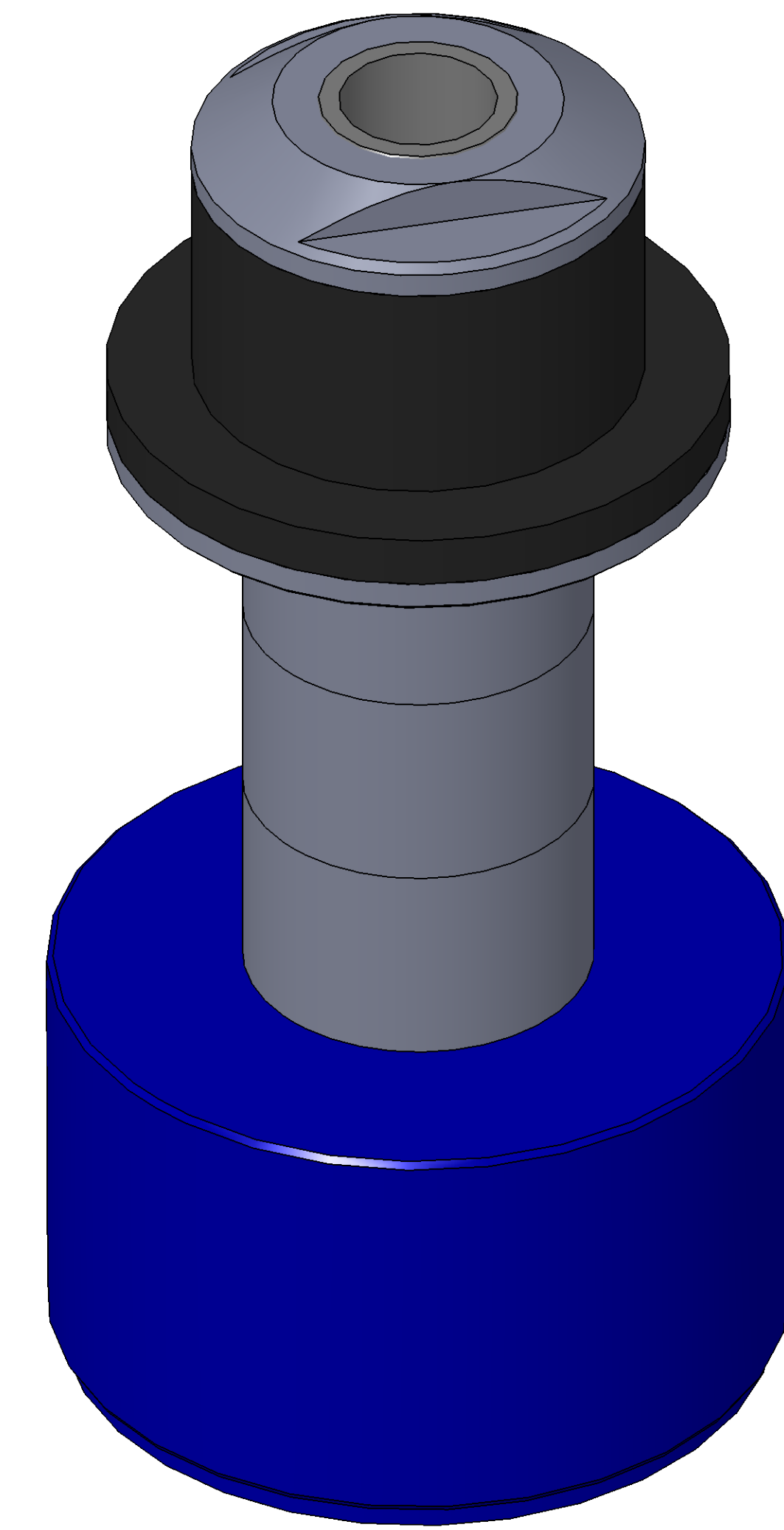


SECTION A-A  
SCALE 3:2



ITEM NO.	PART NUMBER	DESCRIPTION	QTY.
10	MACH-004186	Body, CTS, CI36	1
20	MACH-004253	Cap, CTS, CI36	1
30	MACH-054226	Stem, CTS, CI36-E3.0	1
40	SEAL-005439	CI36-ORING 217	1
50	SEAL-005443	CI35-ORING 337	1
60	MACH-050249	Nose, CTS, CI36-SAE-2250	1
70	MACH-050250	Washer, CTS, CI36-SAE-2250	1
80	MACH-004598	Spacer Extension, CTS, CI36	3
90	SEAL-004963	Seal, CTS, CI36-SAE-2250	1



REVISIONS			
REV.	DESCRIPTION	DATE	APPROVED
A	Initial Release	04-06-2026	KM
B	Nose material changed from brass to 316 stainless steel	04-06-2026	KM



10100 PROGRESS WAY HARRISON, OH 45030

SIZE	DESCRIPTION			
D	Connect Assembly, CTS, CI36-SAE-2250-E3.0			
PART NUMBER	REV			
CTSC-002734	B			
DATE	DRAWN BY	CHECKED BY	SHEET	OF
11/04/05	KM	KM	1	1

FILE LOCATION: C:\PDM\PDM\R&D Product Development\CTS Connects\CI\Connect Assembly\Standard\CI36\3in Stem Extension\CTSC-002734