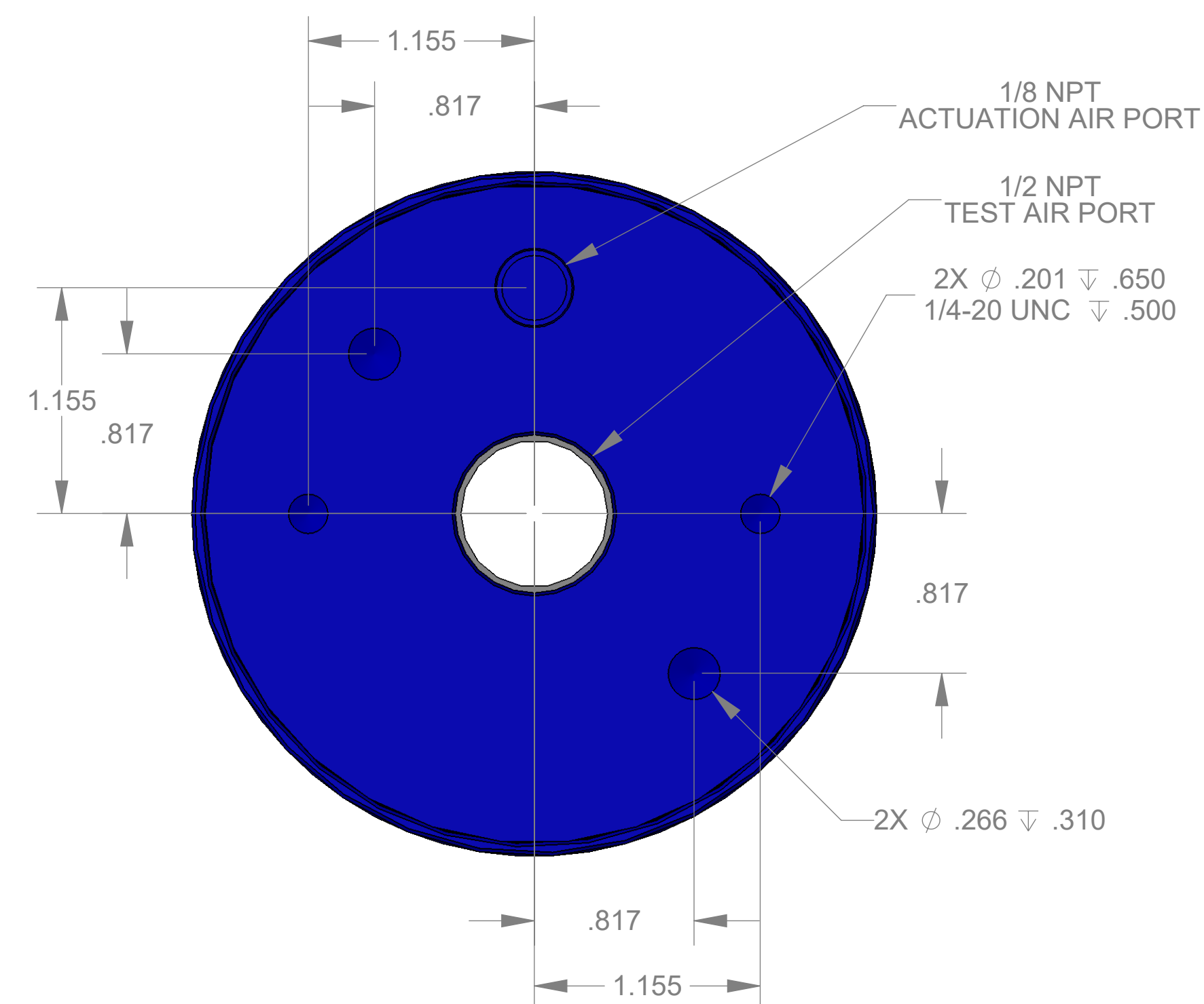


| ITEM NO. | PART NUMBER | DESCRIPTION | QTY. |
|----------|-------------|-----------------------------|------|
| 10 | MACH-004186 | Body, CTS, CI36 | 1 |
| 20 | MACH-004253 | Cap, CTS, CI36 | 1 |
| 30 | MACH-054224 | Stem, CTS, CI36-E1.0 | 1 |
| 40 | SEAL-005439 | CI36-ORING 217 | 1 |
| 50 | SEAL-005443 | CI35-ORING 337 | 1 |
| 60 | MACH-050249 | Nose, CTS, CI36-SAE-2250 | 1 |
| 70 | MACH-050250 | Washer, CTS, CI36-SAE-2250 | 1 |
| 80 | MACH-004598 | Spacer Extension, CTS, CI36 | 1 |
| 90 | SEAL-004963 | Seal, CTS, CI36-SAE-2250 | 1 |



| REVISIONS | | | |
|-----------|---|------------|----------|
| REV. | DESCRIPTION | DATE | APPROVED |
| A | Initial Release | 04-06-2026 | KM |
| B | Nose material changed from brass to 316 stainless steel | 04-06-2026 | KM |



| | | | | |
|-------------|---|------------|-------|----|
| SIZE | DESCRIPTION | | | |
| D | Connect Assembly, CTS, CI36-SAE-2250-E1.0 | | | |
| PART NUMBER | REV | | | |
| CTSC-002732 | B | | | |
| DATE | DRAWN BY | CHECKED BY | SHEET | OF |
| 11/04/05 | KM | KM | 1 | 1 |