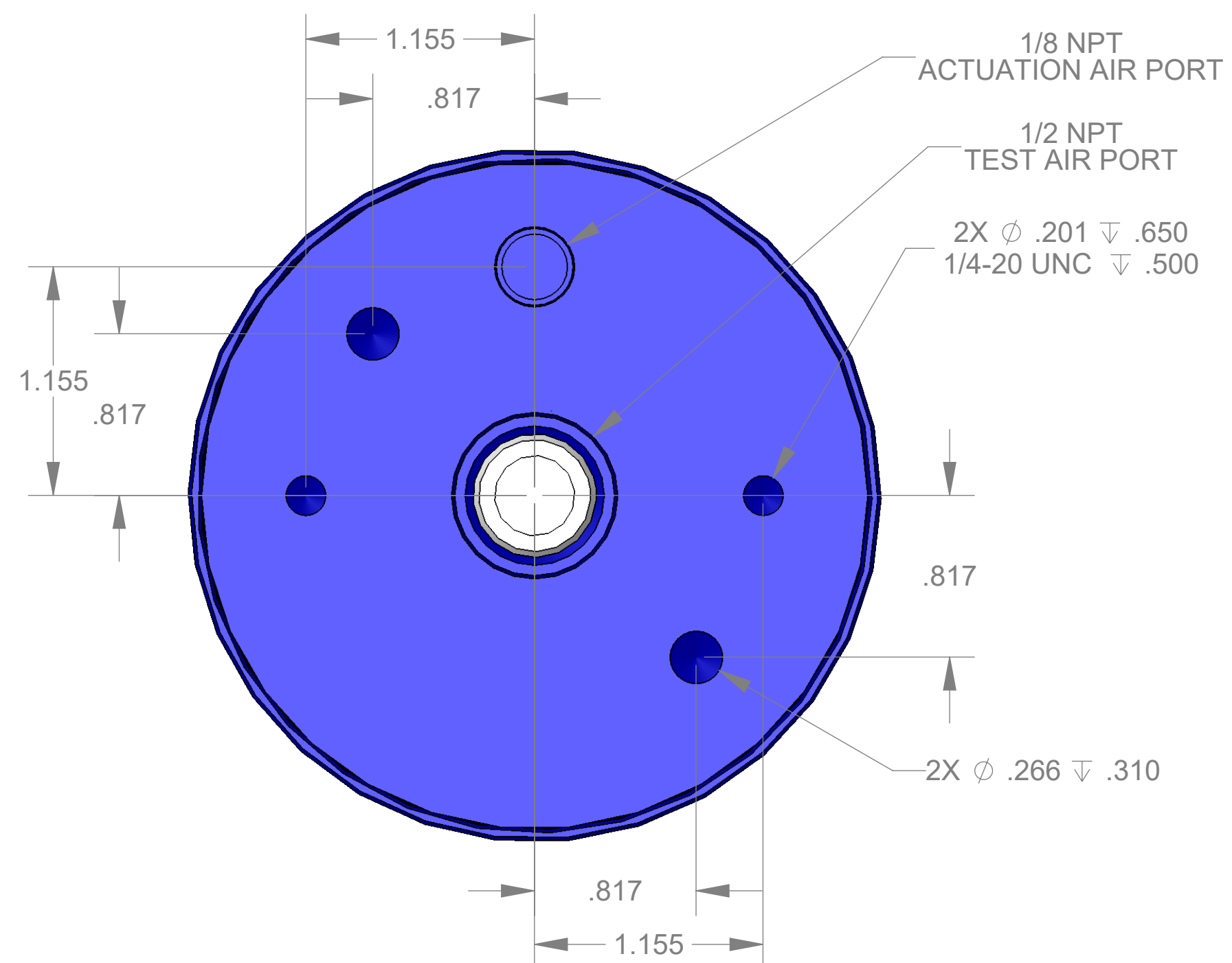
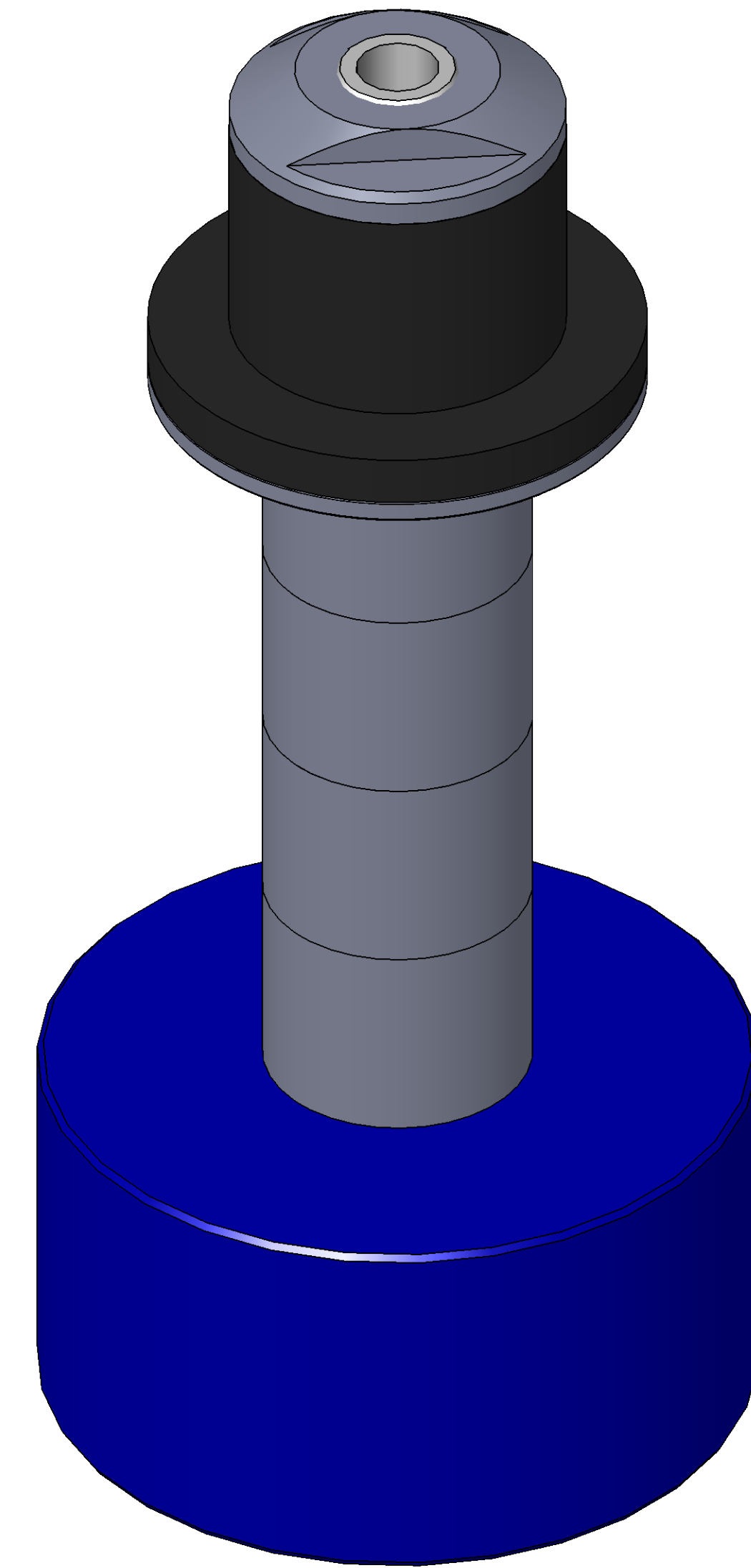


SECTION A-A
SCALE 3 : 2



ITEM NO.	PART NUMBER	DESCRIPTION	QTY.
10	MACH-004185	Body, CTS, CI35	1
20	MACH-004252	Cap, CTS, CI35	1
30	MACH-054223	Stem, CTS, CI35-E4.0	1
40	SEAL-005449	CI35-ORING 210	1
50	SEAL-005443	CI35-ORING 337	1
60	MACH-042121	Nose, CTS, CI35-SAE-1750	1
70	MACH-042122	Washer, CTS, CI35-SAE-1750	1
80	MACH-004592	Spacer Extension, CTS, CI35	4
90	SEAL-042155	Seal, CTS, CI35-SAE-1750	1



REVISIONS			
REV.	DESCRIPTION	DATE	APPROVED
A	Initial Release	04-06-2026	KM
B	Nose material changed from brass to 316 stainless steel	04-06-2026	KM



SIZE	D	DESCRIPTION	Connect Assembly, CTS, CI35-SAE-1750-E4.0
PART NUMBER	CTSC-002665		REV B
DATE	11/04/05	DRAWN BY: KM	CHECKED BY: KM
		SHEET 1	OF 1

FILE LOCATION: C:\PDM\PDM\R&D\Product Development\CTS Connects\CI\Connect Assembly\Standard\CI35\4in Stem Extension\CTSC-002665