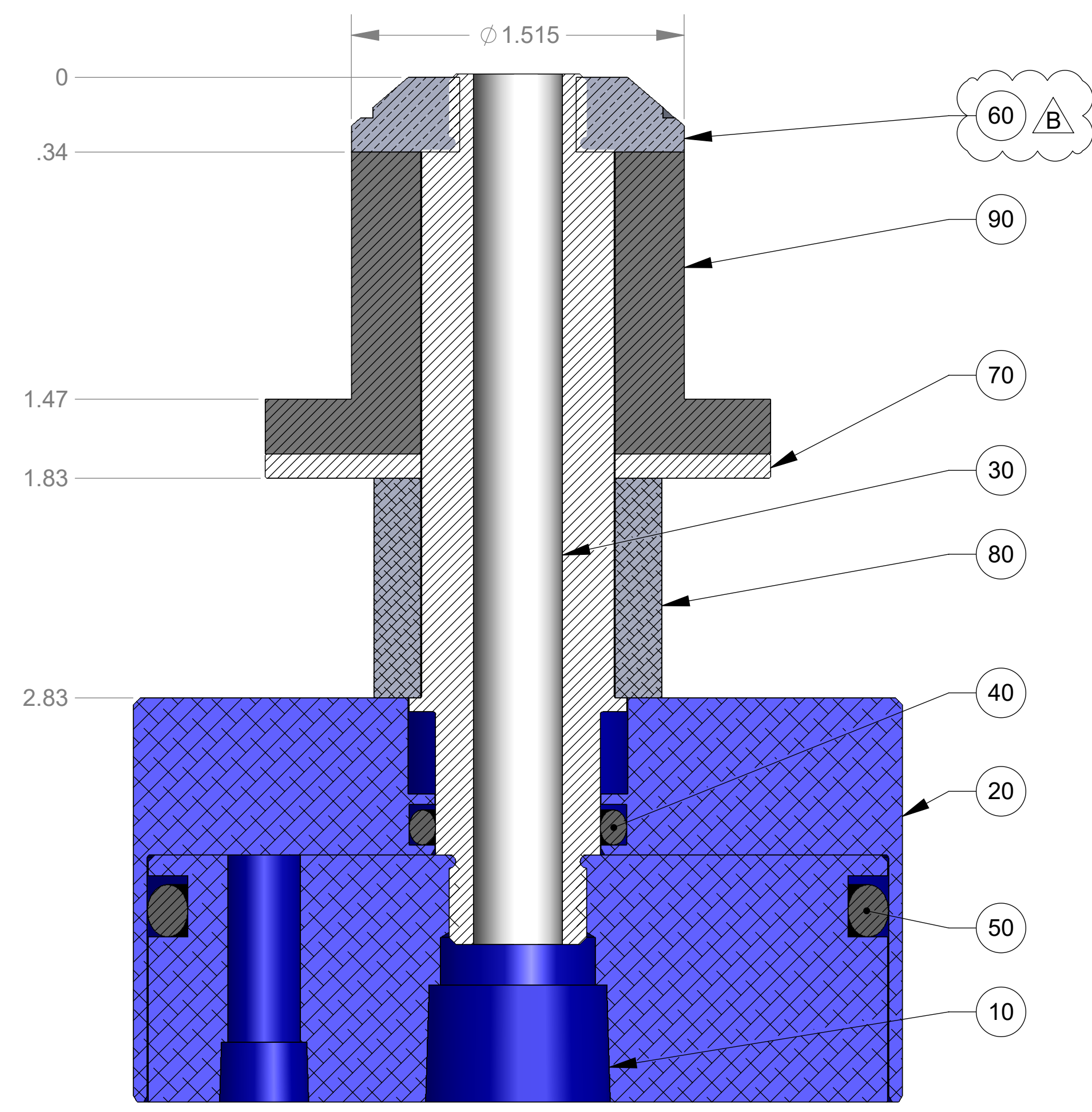
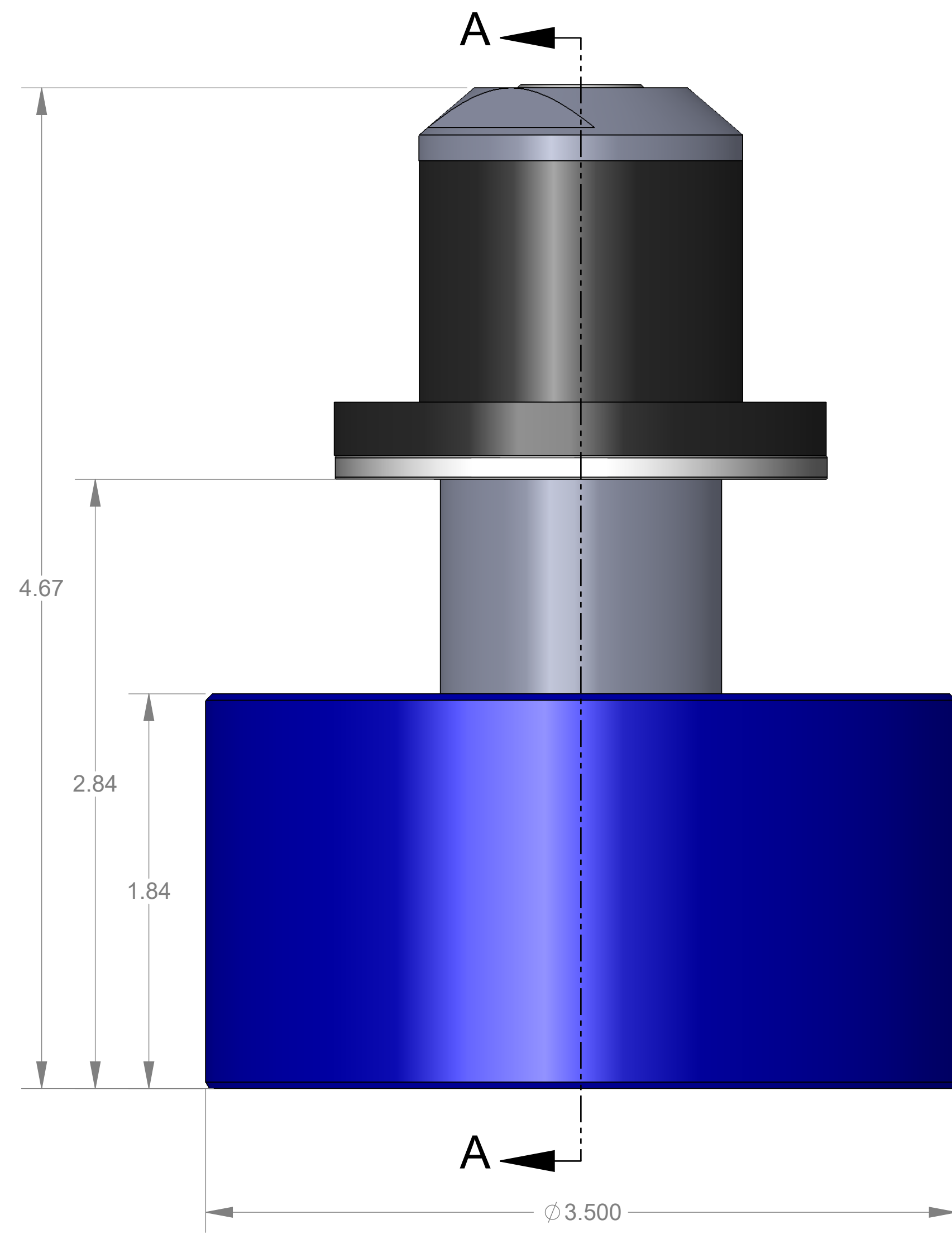
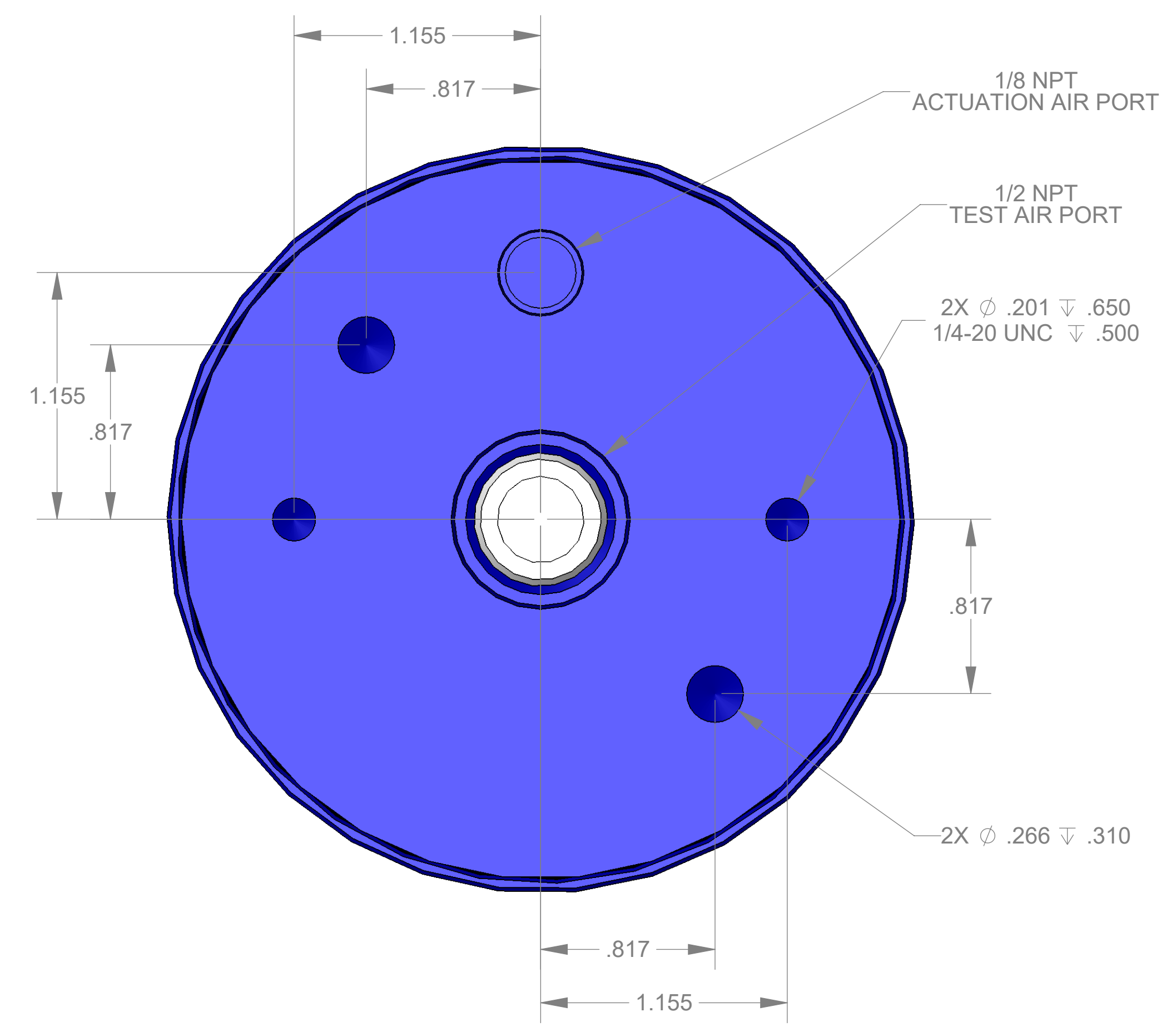


| ITEM NO. | PART NUMBER | DESCRIPTION | QTY. |
|----------|-------------|-----------------------------|------|
| 10 | MACH-004185 | Body, CTS, CI35 | 1 |
| 20 | MACH-004252 | Cap, CTS, CI35 | 1 |
| 30 | MACH-054219 | Stem, CTS, CI35-E1.0 | 1 |
| 40 | SEAL-005449 | CI35-ORING 210 | 1 |
| 50 | SEAL-005443 | CI35-ORING 337 | 1 |
| 60 | MACH-004344 | Nose, CTS, CI35-SAE-1625 | 1 |
| 70 | MACH-004464 | Washer, CTS, CI35-SAE-1625 | 1 |
| 80 | MACH-004592 | Spacer Extension, CTS, CI35 | 1 |
| 90 | SEAL-004932 | Seal, CTS, CI35-SAE-1625 | 1 |



SECTION A-A
SCALE 2:1



| REVISIONS | | | |
|-----------|---|------------|----------|
| REV. | DESCRIPTION | DATE | APPROVED |
| A | Initial Release | 04-02-2026 | KM |
| B | Nose material changed from brass to 316 stainless steel | 04-06-2026 | KM |



| | | | |
|-------------|-------------|-------------|---|
| SIZE | D | DESCRIPTION | Connect Assembly, CTS, CI35-SAE-1625-E1.0 |
| PART NUMBER | CTSC-002634 | | REV B |
| DATE | 11/04/05 | DRAWN BY KM | CHECKED BY KM |
| | | SHEET 1 | OF 1 |

FILE LOCATION: C:\PDM\PDM\R&D Product Development\CTS Connects\CI\Connect Assembly\Standard\CI35\1in Stem Extension\CTSC-002634

Monday, April 6, 2026