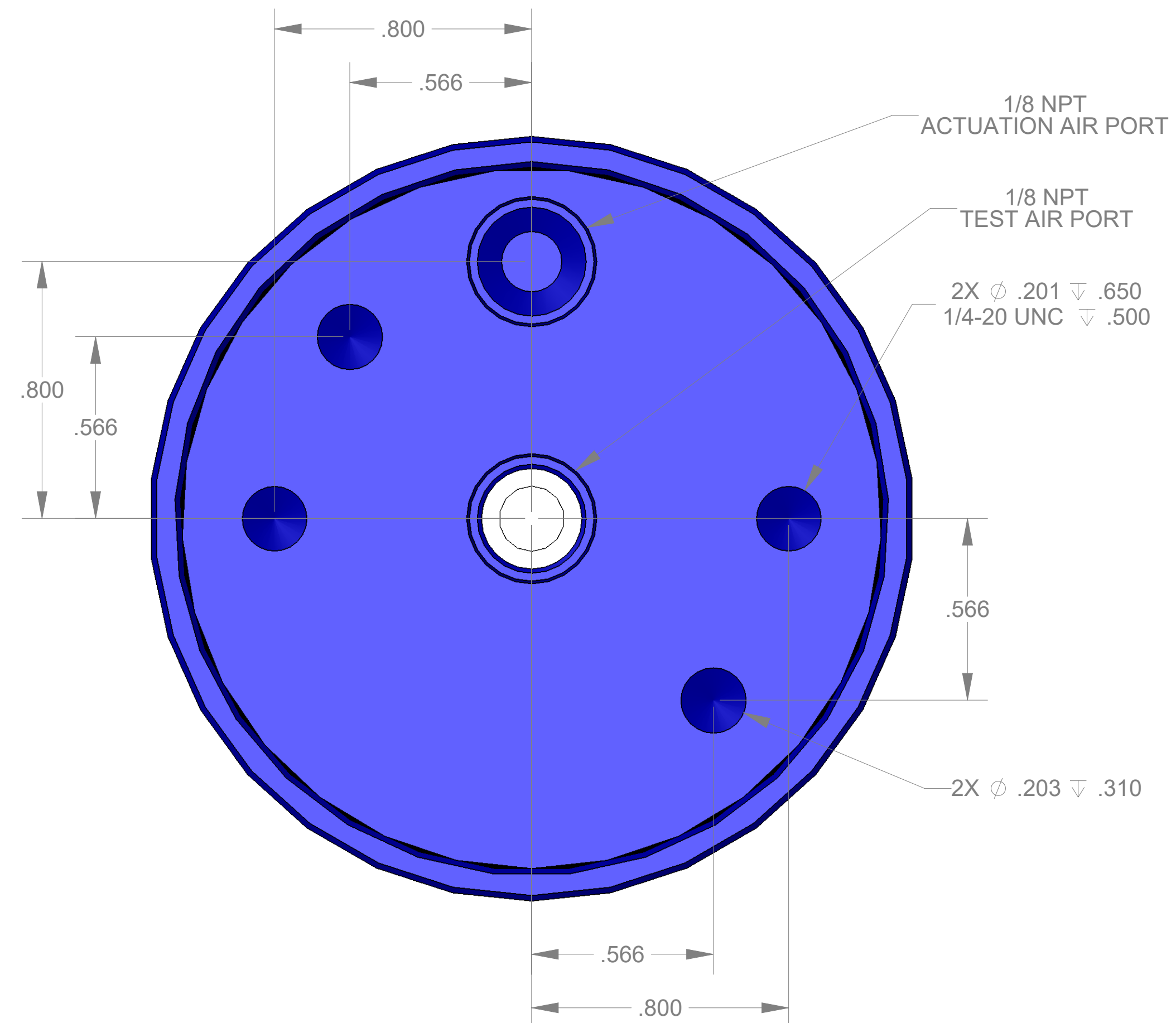
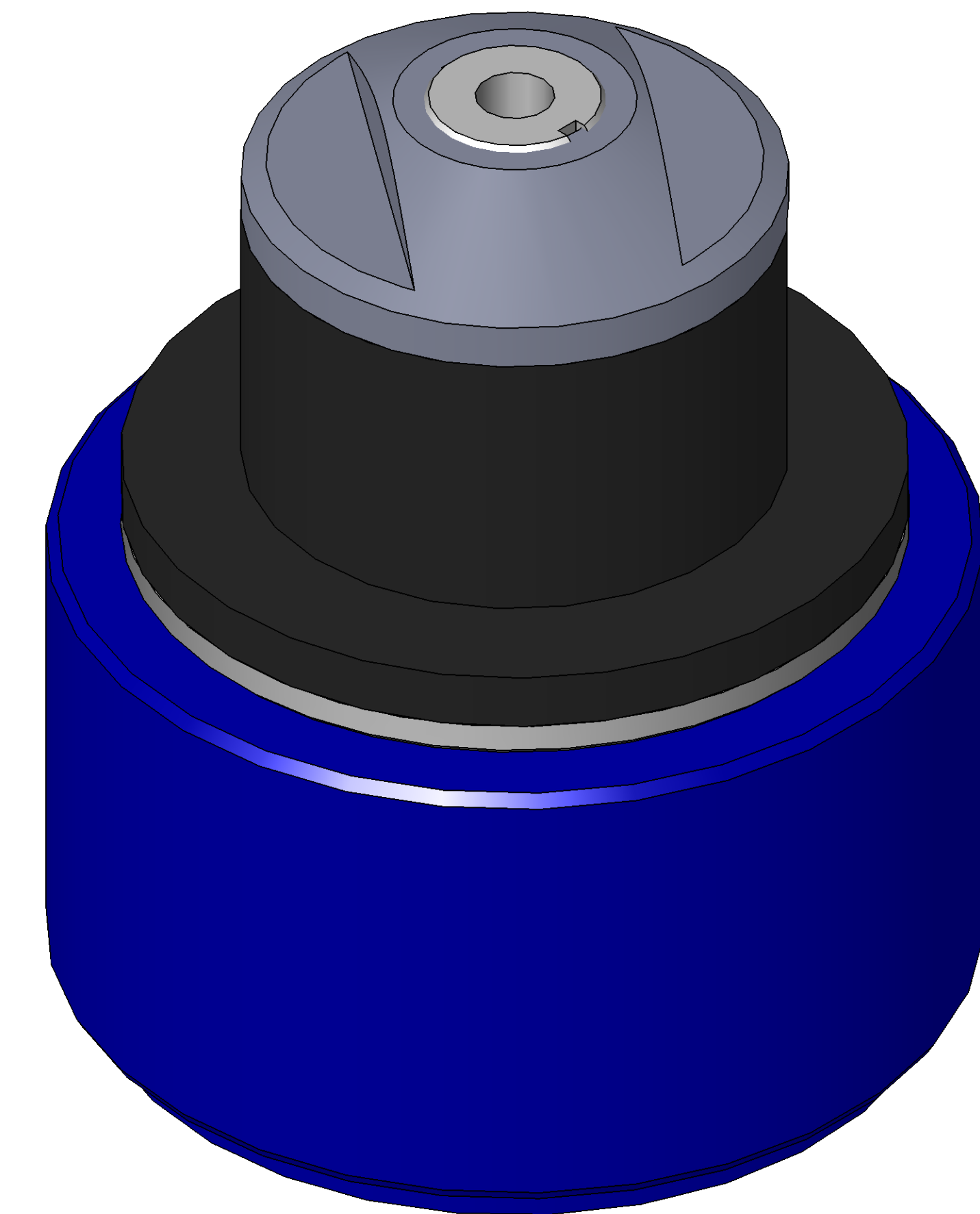
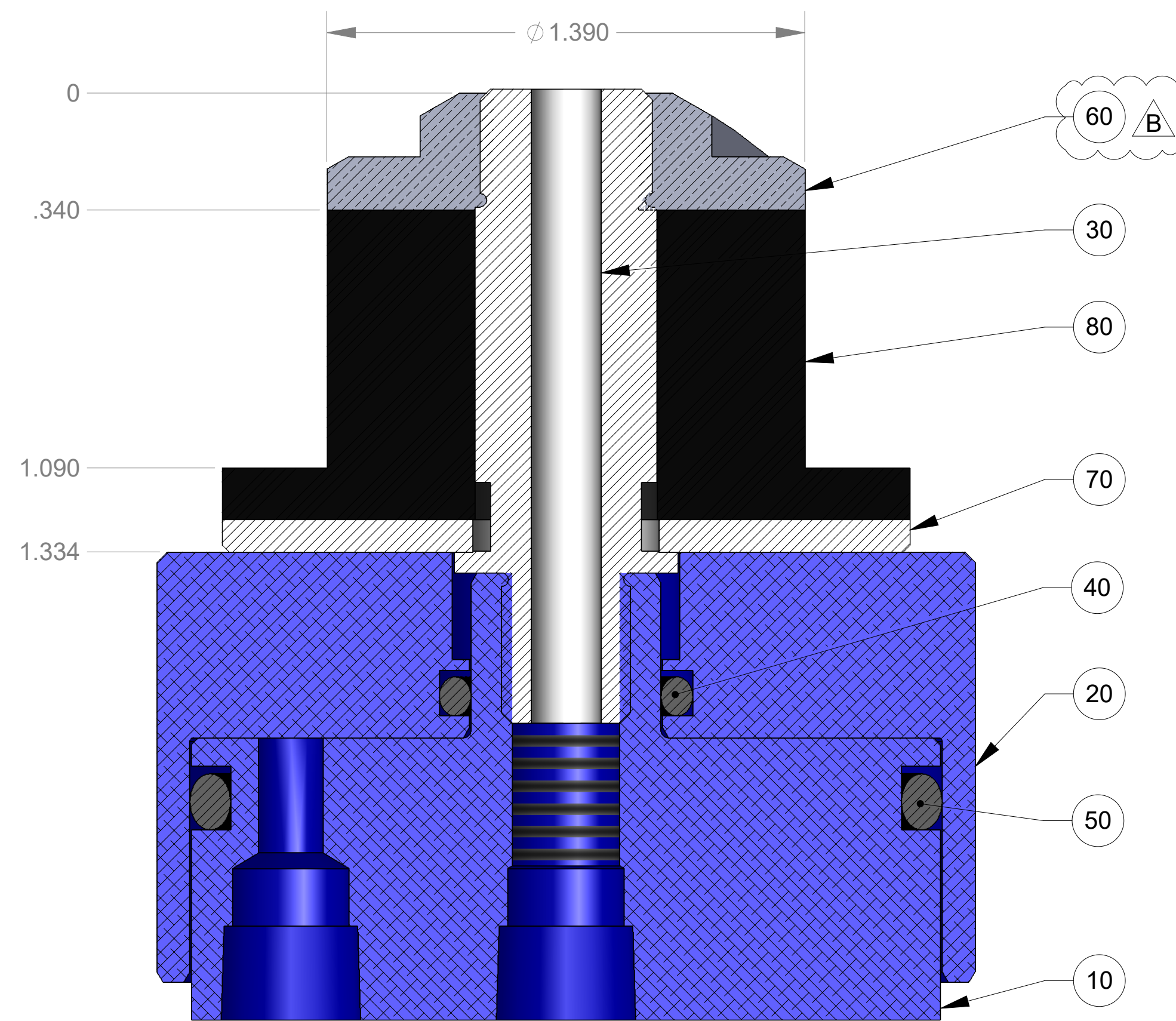
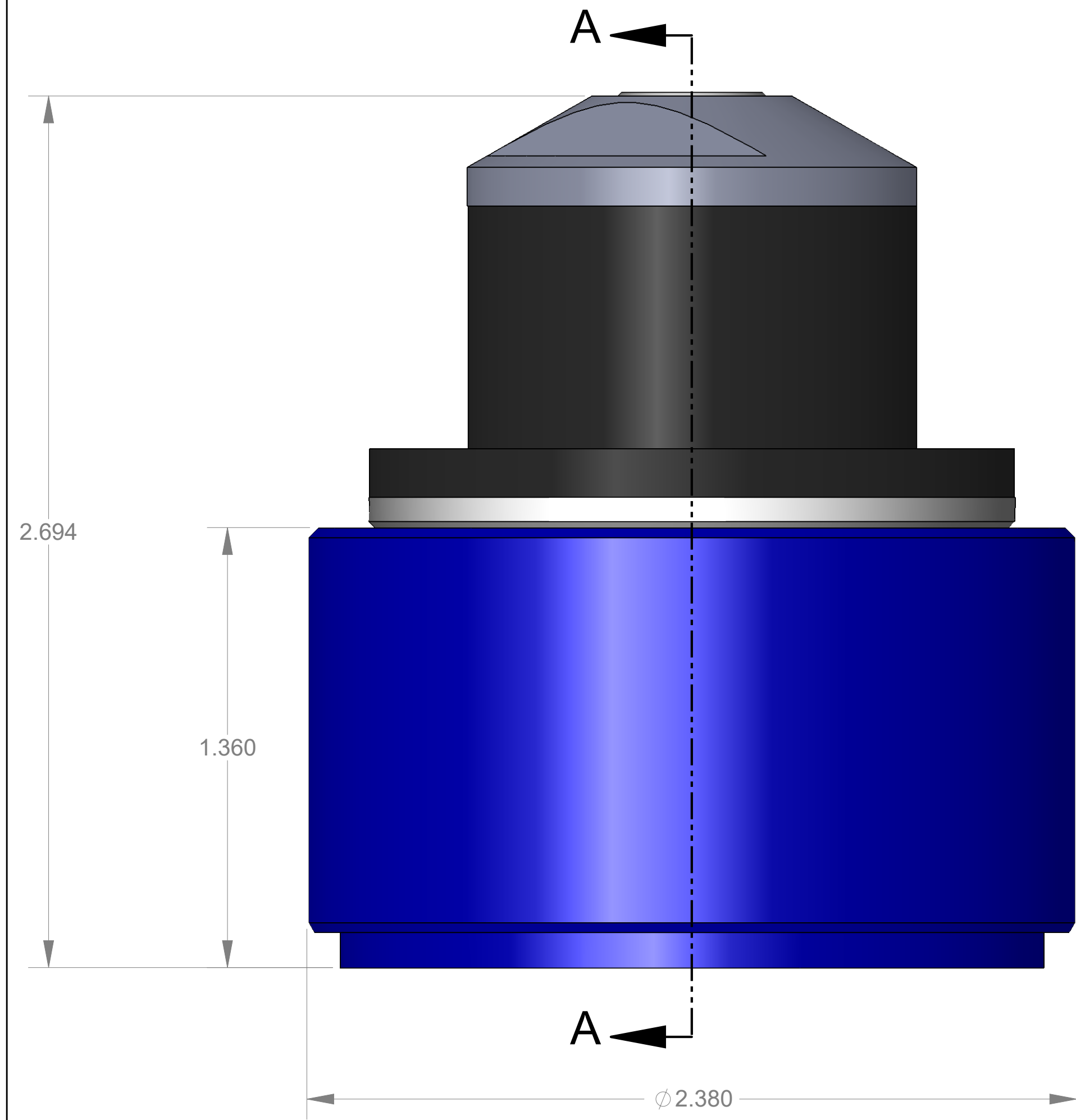


ITEM NO.	PART NUMBER	DESCRIPTION	QTY.
10	MACH-004184	Body, CTS, CI34	1
20	MACH-004251	Cap, CTS, CI34	1
30	MACH-005104	Stem, CTS, CI34	1
40	SEAL-005437	CI33-ORING 113	1
50	SEAL-005441	CI33-ORING 225	1
60	MACH-004336	Nose, CTS, CI34-SAE-1500	1
70	MACH-004458	Washer, CTS, CI34-SAE-1500	1
80	SEAL-004894	Seal, CTS, CI34-SAE-1500	1



REVISIONS			
REV.	DESCRIPTION	DATE	APPROVED
A	Initial Release	07-19-2005	DAS
B	Nose material changed from brass to 316 stainless steel	12-19-2025	KM



SIZE	DESCRIPTION	REV
D	Connect Assembly, CTS, CI34-SAE-1500	B
PART NUMBER		REV
CTSC-002605		B
DATE	DRAWN BY	CHECKED BY
7/19/05	KM	KM
SHEET		OF
1		1

FILE LOCATION: C:\PDM\PDM\R&D Product Development\CTS Connects\CI\Connect Assembly\CI34\CTSC-002605

Friday, December 8, 2025