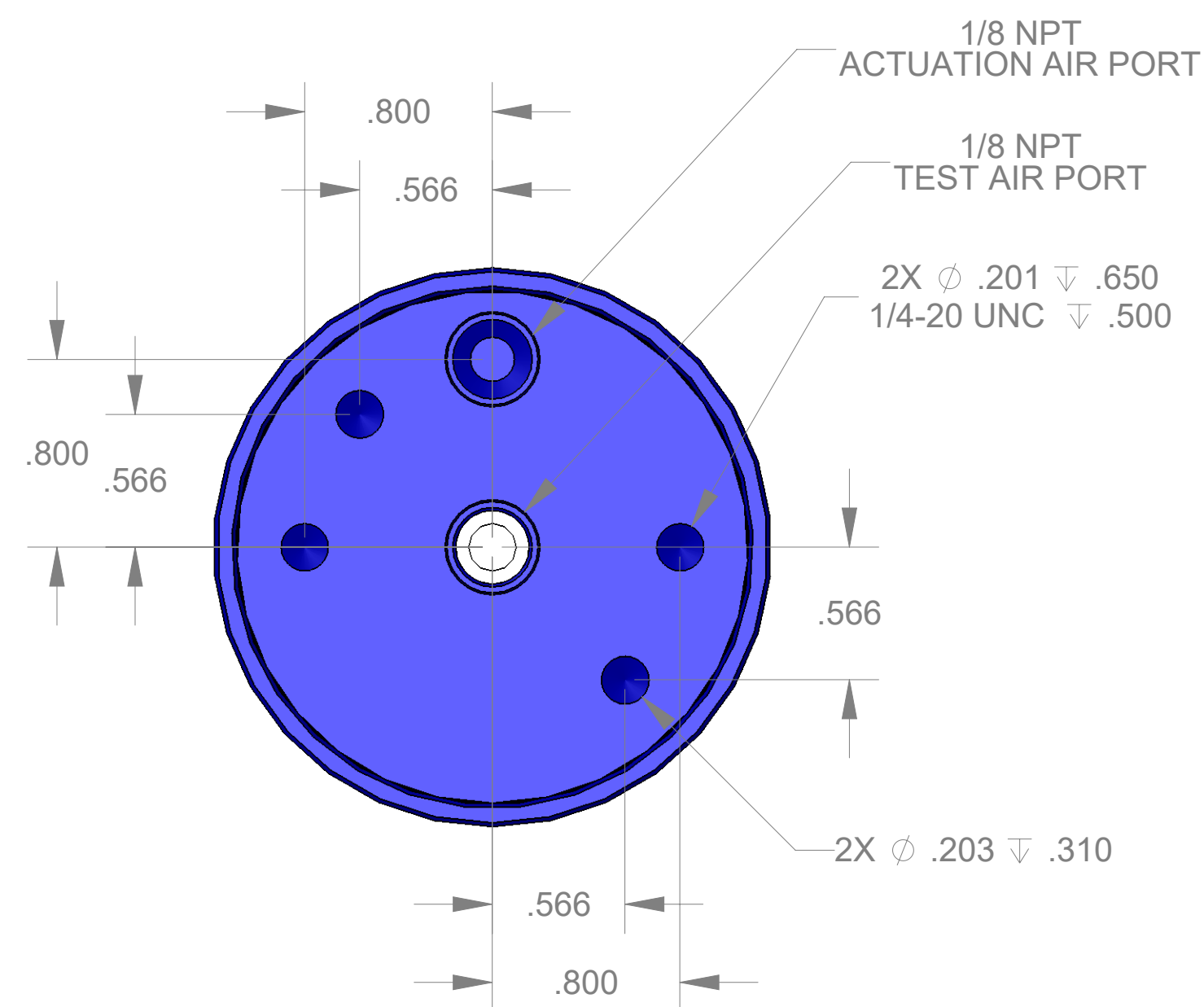
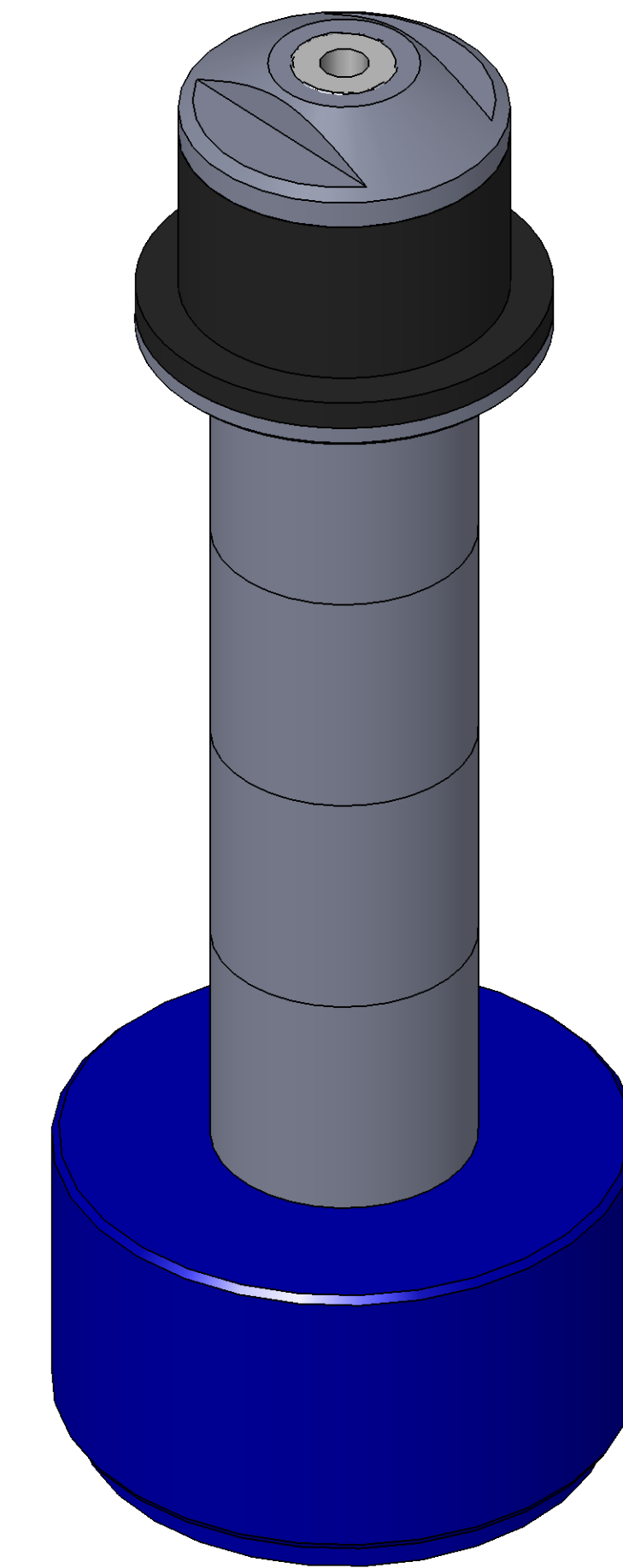


SECTION A-A
SCALE 3 : 2

ITEM NO.	PART NUMBER	DESCRIPTION	QTY.
10	MACH-004184	Body, CTS, CI34	1
20	MACH-004251	Cap, CTS, CI34	1
30	MACH-054218	Stem, CTS, CI34-E4.0	1
40	SEAL-005437	CI33-ORING 113	1
50	SEAL-005441	CI33-ORING 225	1
60	MACH-052413	Nose, CTS, CI34-SAE-1437	1
70	MACH-052414	Washer, CTS, CI34-SAE-1437	1
80	MACH-004589	Spacer Extension, CTS, CI34	4
90	SEAL-052416	Face Seal, CTS, CI34-SAE-1437	1
100	SEAL-052415	Thread Seal, CTS, CI34-SAE-1437	1



REVISIONS			
REV.	DESCRIPTION	DATE	APPROVED
A	Initial Release	04-02-2026	KM
B	Nose material changed from brass to 316 stainless steel	04-06-2026	KM



10100 PROGRESS WAY HARRISON, OH 45030

SIZE	DESCRIPTION			
D	Connect Assembly, CTS, CI34-SAE-1437-E4.0			
PART NUMBER	REV			
CTSC-002595	B			
DATE	DRAWN BY	CHECKED BY	SHEET	OF
7/19/05	KM	KM	1	1

FILE LOCATION: C:\PDM\PDM\R&D Product Development\CTS Connects\CI\Connect Assembly\Standard\CI34\4in Stem Extension\CTSC-002595

Monday, April 6, 2026