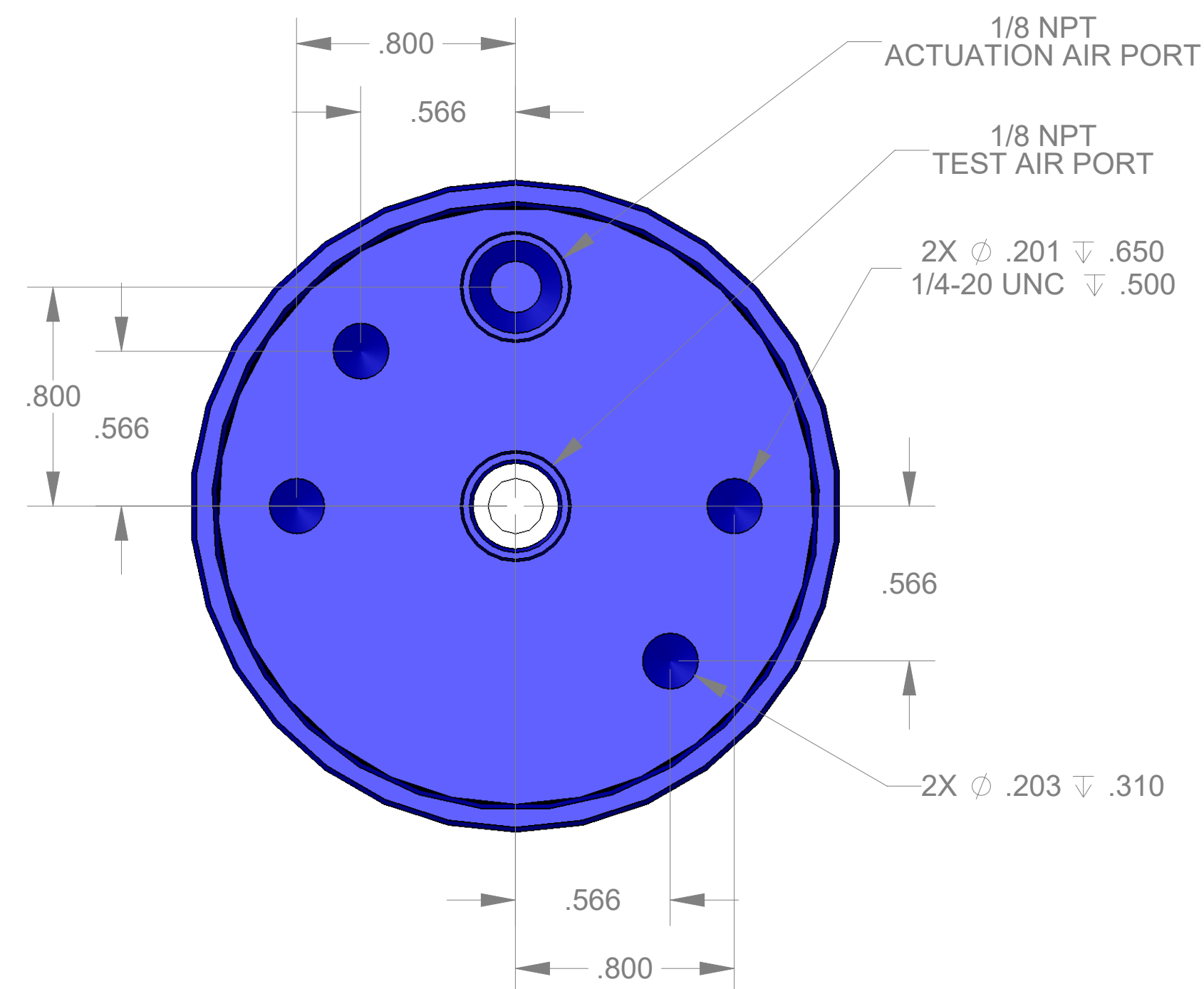
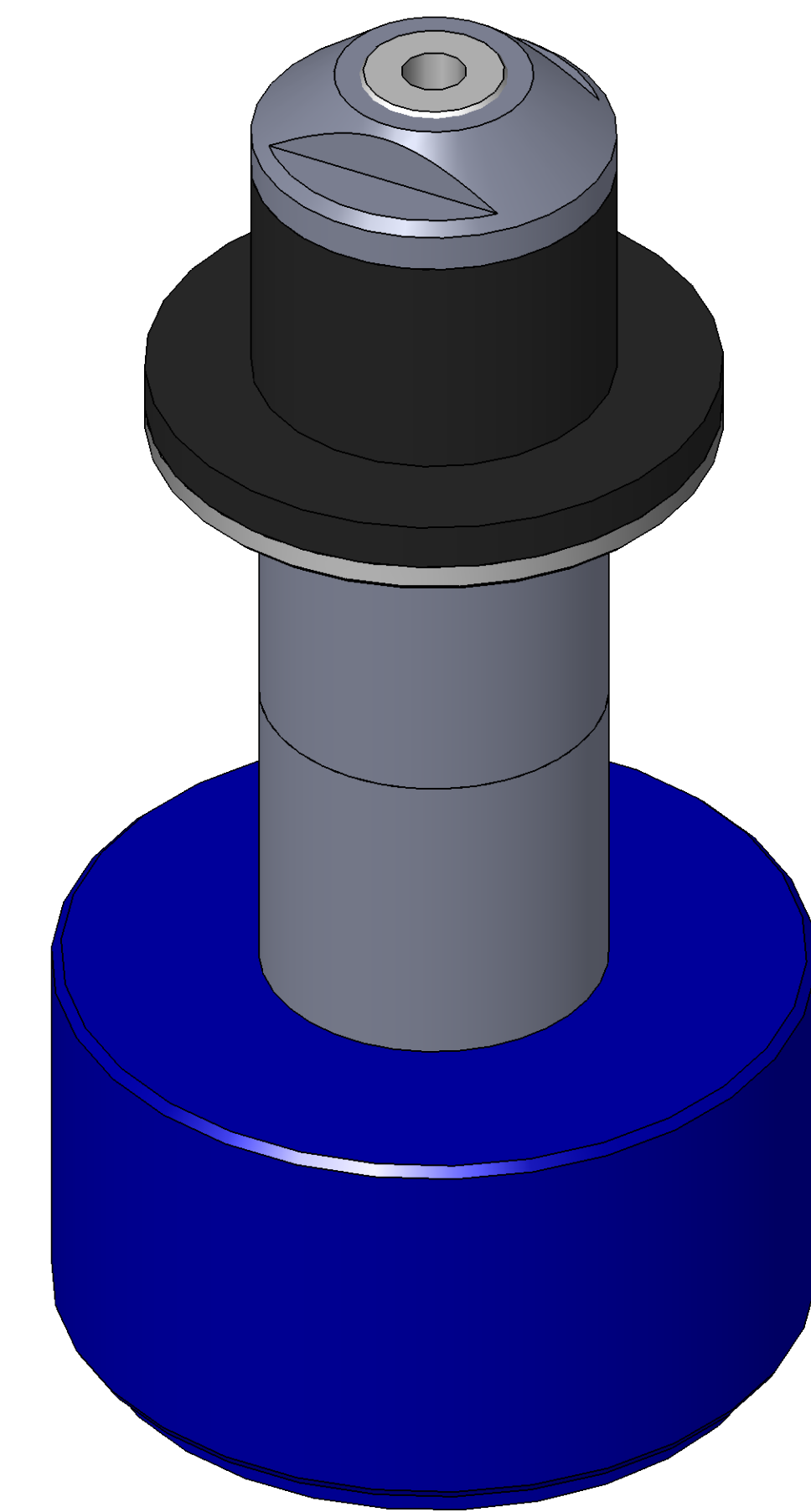


SECTION A-A



ITEM NO.	PART NUMBER	DESCRIPTION	QTY.
10	MACH-004184	Body, CTS, CI34	1
20	MACH-004251	Cap, CTS, CI34	1
30	MACH-054216	Stem, CTS, CI34-E2.0	1
40	SEAL-005437	CI33-ORING 113	1
50	SEAL-005441	CI33-ORING 225	1
60	MACH-004326	Nose, CTS, CI34-SAE-P	1
70	MACH-004451	Washer, CTS, CI34-SAE-P	1
80	MACH-004589	Spacer Extension, CTS, CI34	2
90	SEAL-004868	Seal, CTS, CI34-SAE-P	1



REVISIONS			
REV.	DESCRIPTION	DATE	APPROVED
A	Initial Release	04-02-2026	KM
B	Nose material changed from brass to 316 stainless steel	04-06-2026	KM



SIZE	D	DESCRIPTION	Connect Assembly, CTS, CI34-SAE-1250-E2.0
PART NUMBER	CTSC-002551		REV B
DATE	7/19/05	DRAWN BY: KM	CHECKED BY: KM
		SHEET	1 OF 1

FILE LOCATION: C:\PDM\PDM\R&D\Product Development\CTS Connects\CI\Connect Assembly\Standard\CI34\2in Stem Extension\CTSC-002551

Monday, April 6, 2026