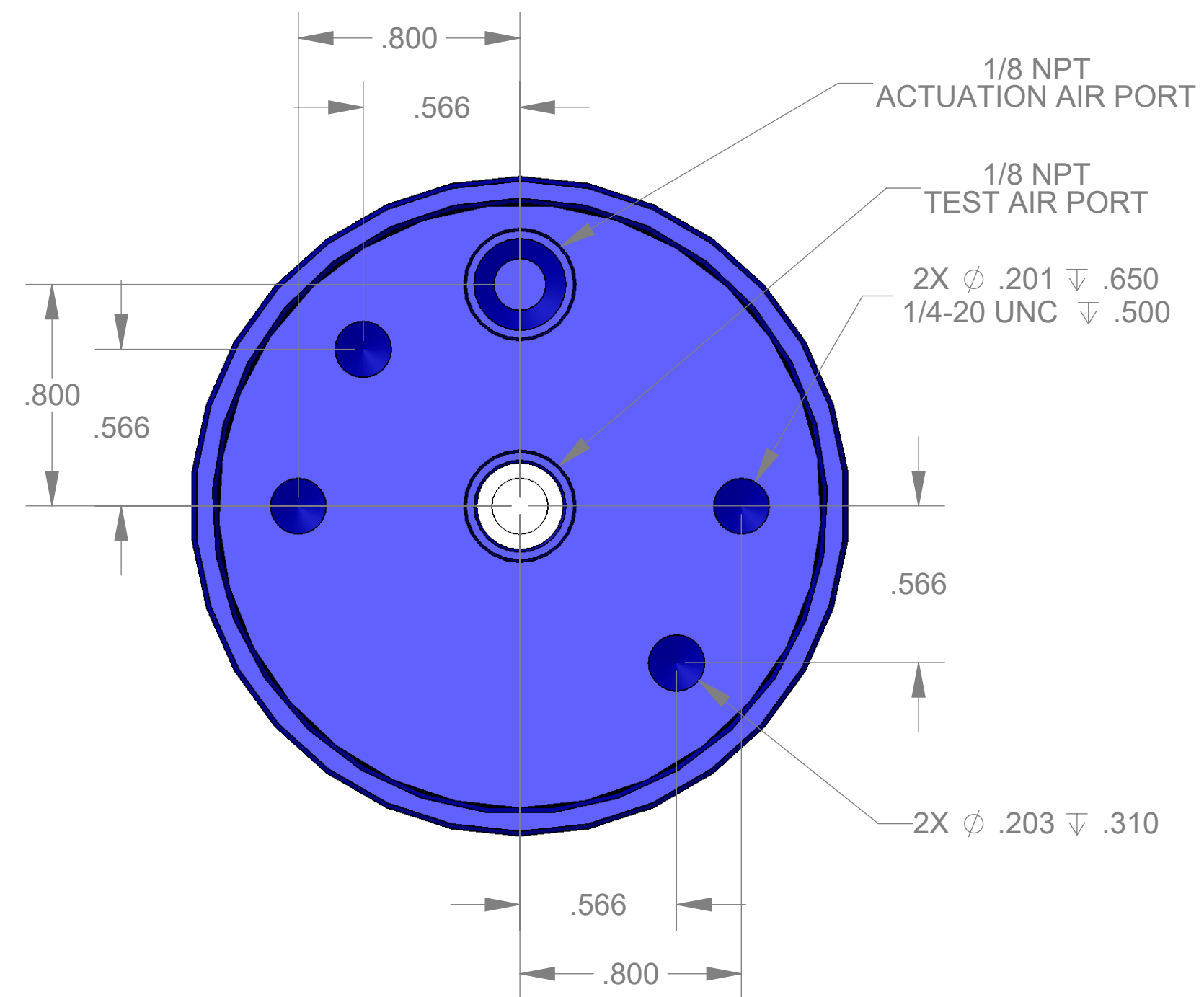
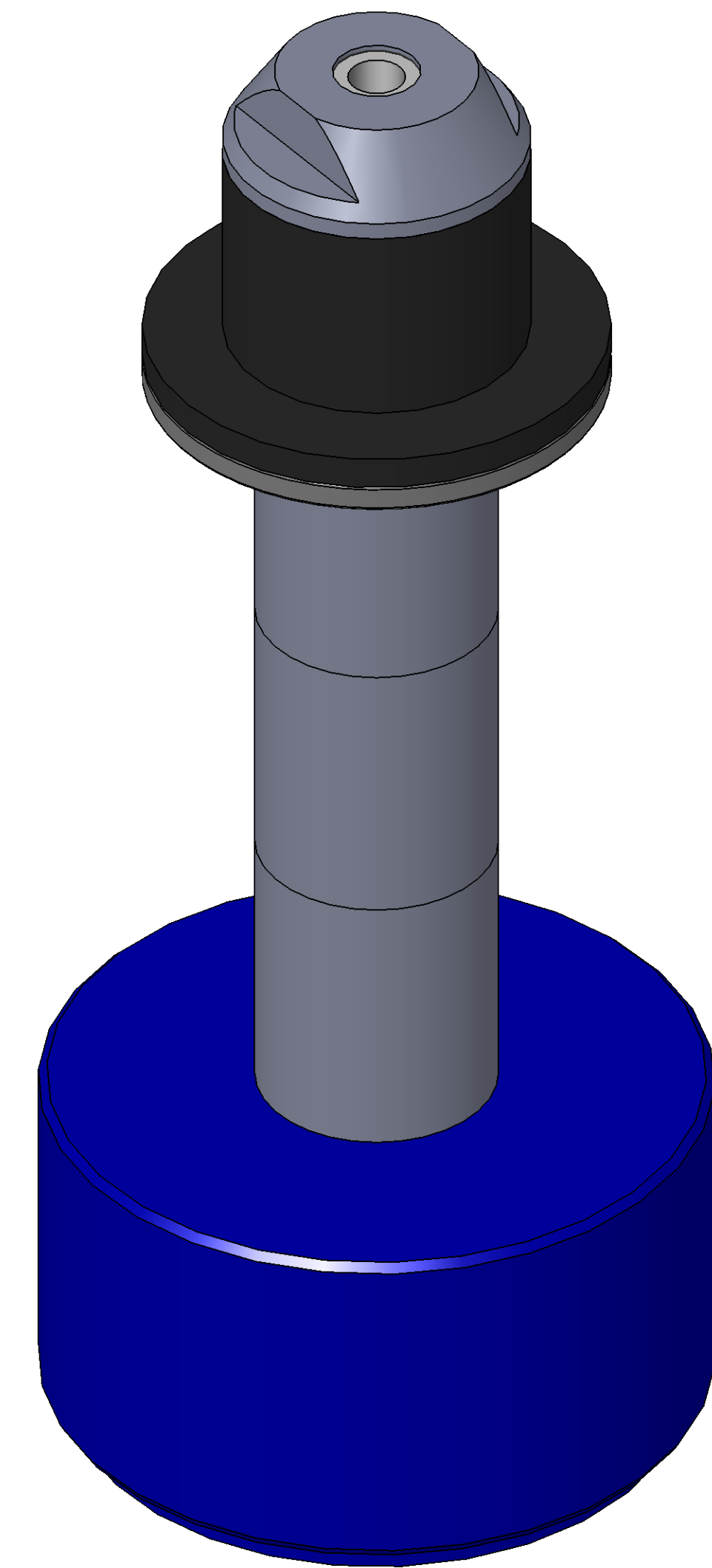


SECTION A-A



ITEM NO.	PART NUMBER	DESCRIPTION	QTY.
10	MACH-004183	Body, CTS, CI33	1
20	MACH-004250	Cap, CTS, CI33	1
30	MACH-054213	Stem, CTS, CI33-E3.0	1
40	SEAL-005437	CI33-ORING 113	1
50	SEAL-005441	CI33-ORING 225	1
60	MACH-004325	Nose, CTS, CI33-SAE-1125	1
70	SEAL-004867	Seal, CTS, CI33-SAE-1125	1
80	MACH-004450	Washer, CTS, CI33-SAE-1125	1
90	MACH-004586	Spacer Extension, CTS, CI33	3



REVISIONS			
REV.	DESCRIPTION	DATE	APPROVED
A	Initial Release	04-01-2026	KM
B	Nose material changed from brass to 316 stainless steel	04-06-2026	KM



10100 PROGRESS WAY HARRISON, OH 45030

SIZE	DESCRIPTION			
D	Connect Assembly, CTS, CI33-SAE-1125-E3.0			
PART NUMBER	REV			
CTSC-002524	B			
DATE	DRAWN BY	CHECKED BY	SHEET	OF
7/19/05	KM	KM	1	1

FILE LOCATION: C:\PDM\PDM\R&D\Product Development\CTS Connects\CI\Connect Assembly\Standard\CI33\3in Stem Extension\CTSC-002524

Monday, April 6, 2026