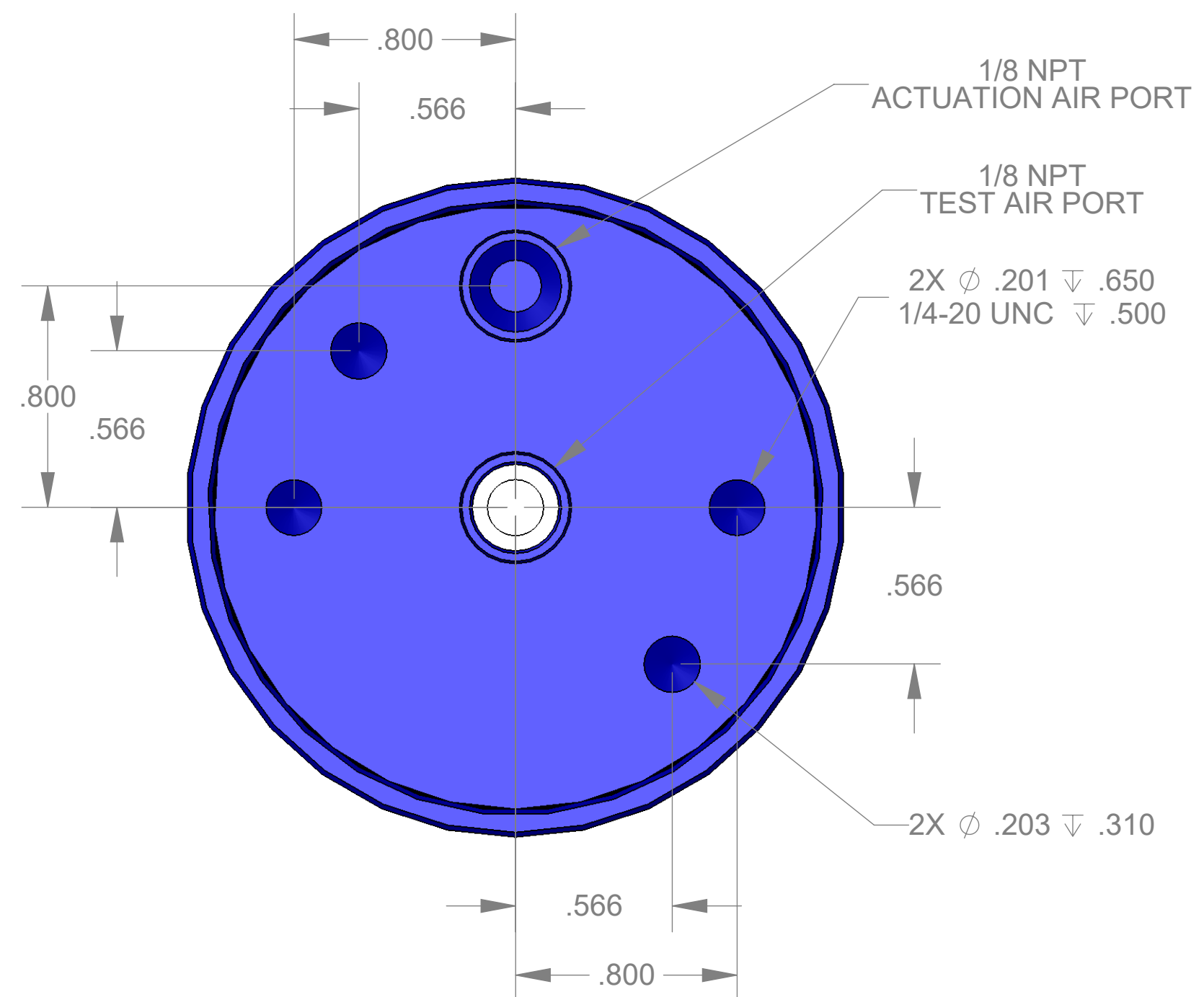
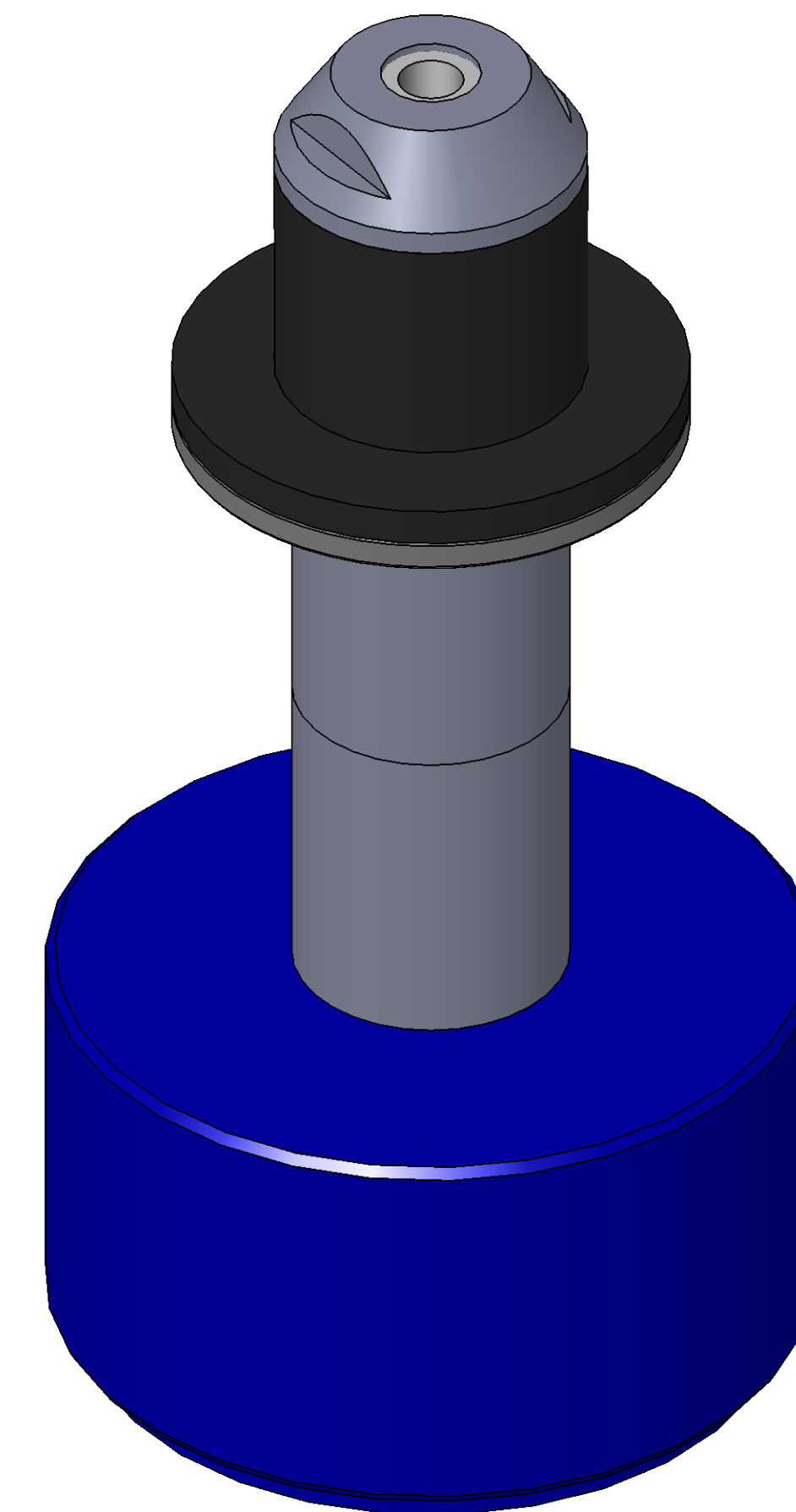


SECTION A-A



ITEM NO.	PART NUMBER	DESCRIPTION	QTY.
10	MACH-004183	Body, CTS, CI33	1
20	MACH-004250	Cap, CTS, CI33	1
30	MACH-054212	Stem, CTS, CI33-2.0	1
40	SEAL-005437	CI33-ORING 113	1
50	SEAL-005441	CI33-ORING 225	1
60	MACH-004324	Nose, CTS, CI33-SAE-1062	1
70	SEAL-004866	Seal, CTS, CI33-SAE-1062	1
80	MACH-004449	Washer, CTS, CI33-SAE-1062	1
90	MACH-004586	Spacer Extension, CTS, CI33	2



REVISIONS			
REV.	DESCRIPTION	DATE	APPROVED
A	Initial Release	04-01-2026	KM
B	Nose material changed from brass to 316 stainless steel	04-06-2026	KM



SIZE	DESCRIPTION
D	Connect Assembly, CTS, CI33-SAE-1062-E2.0
PART NUMBER	REV
CTSC-002509	B
DATE	DRAWN BY
7/19/05	KM
CHECKED BY	SHEET
KM	1 OF 1

FILE LOCATION: C:\PDM\PDM\R&D Product Development\CTS Connects\CI\Connect Assembly\Standard\CI33\2in Stem Extension\CTSC-002509

Monday, April 6, 2026