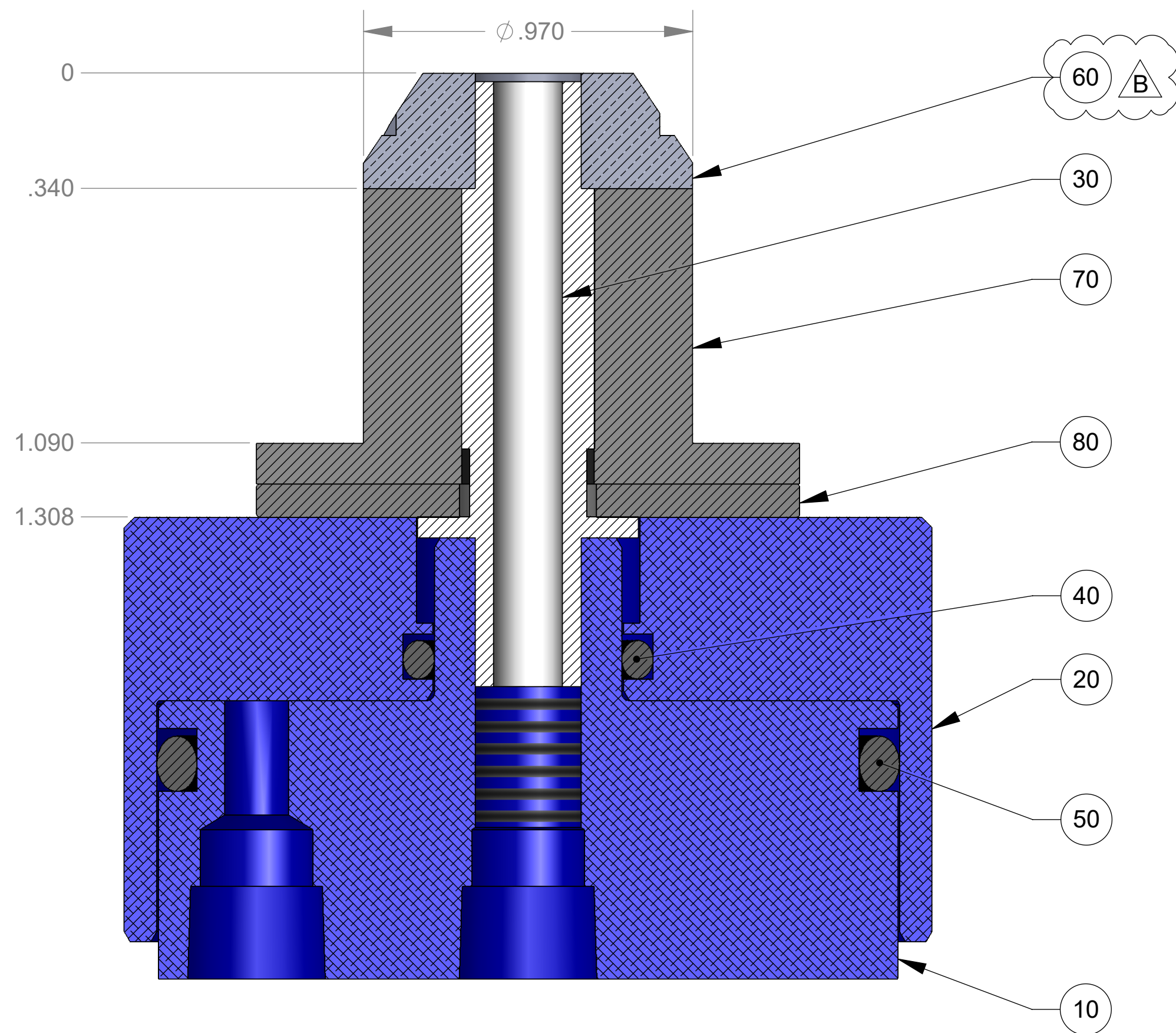
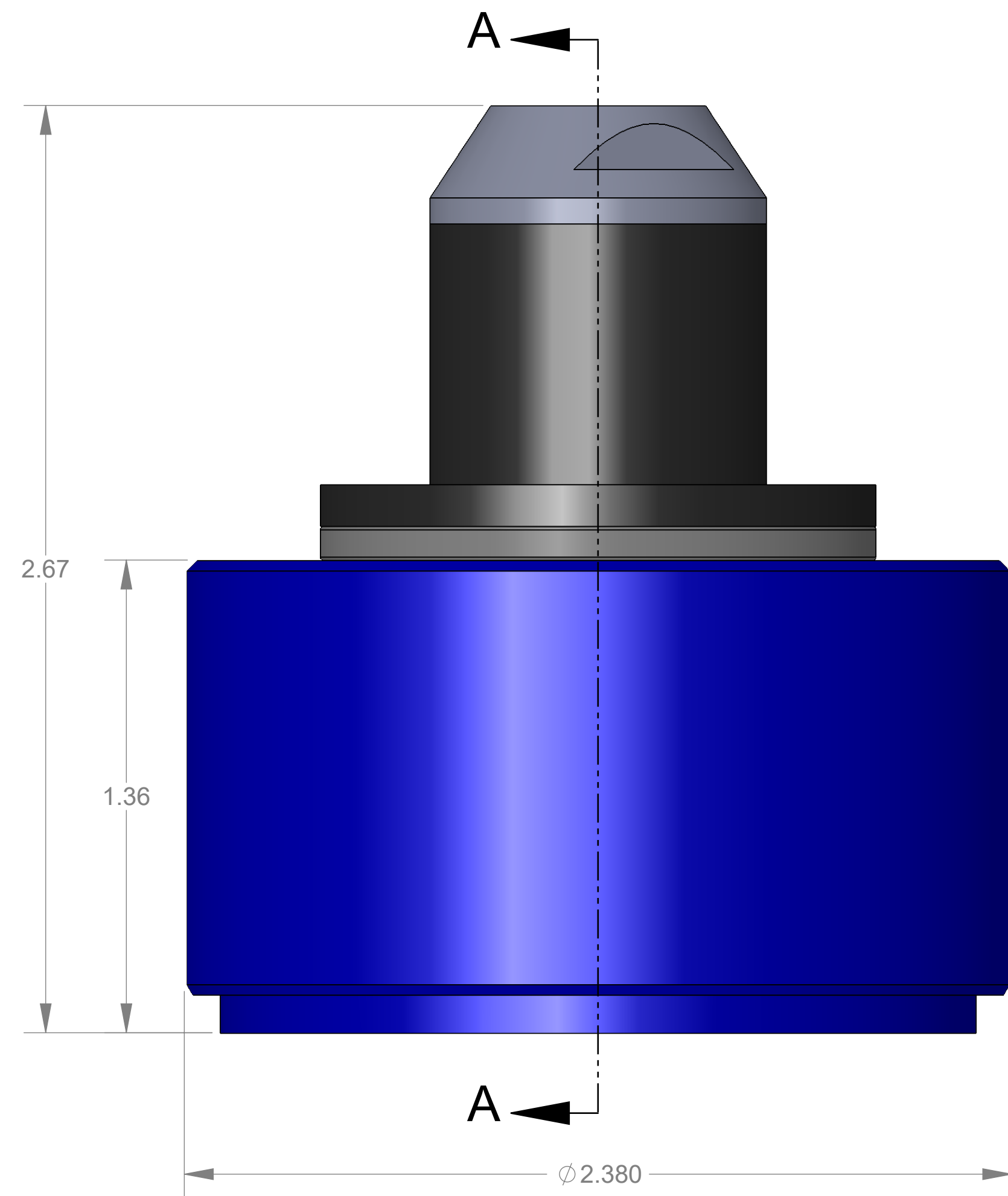
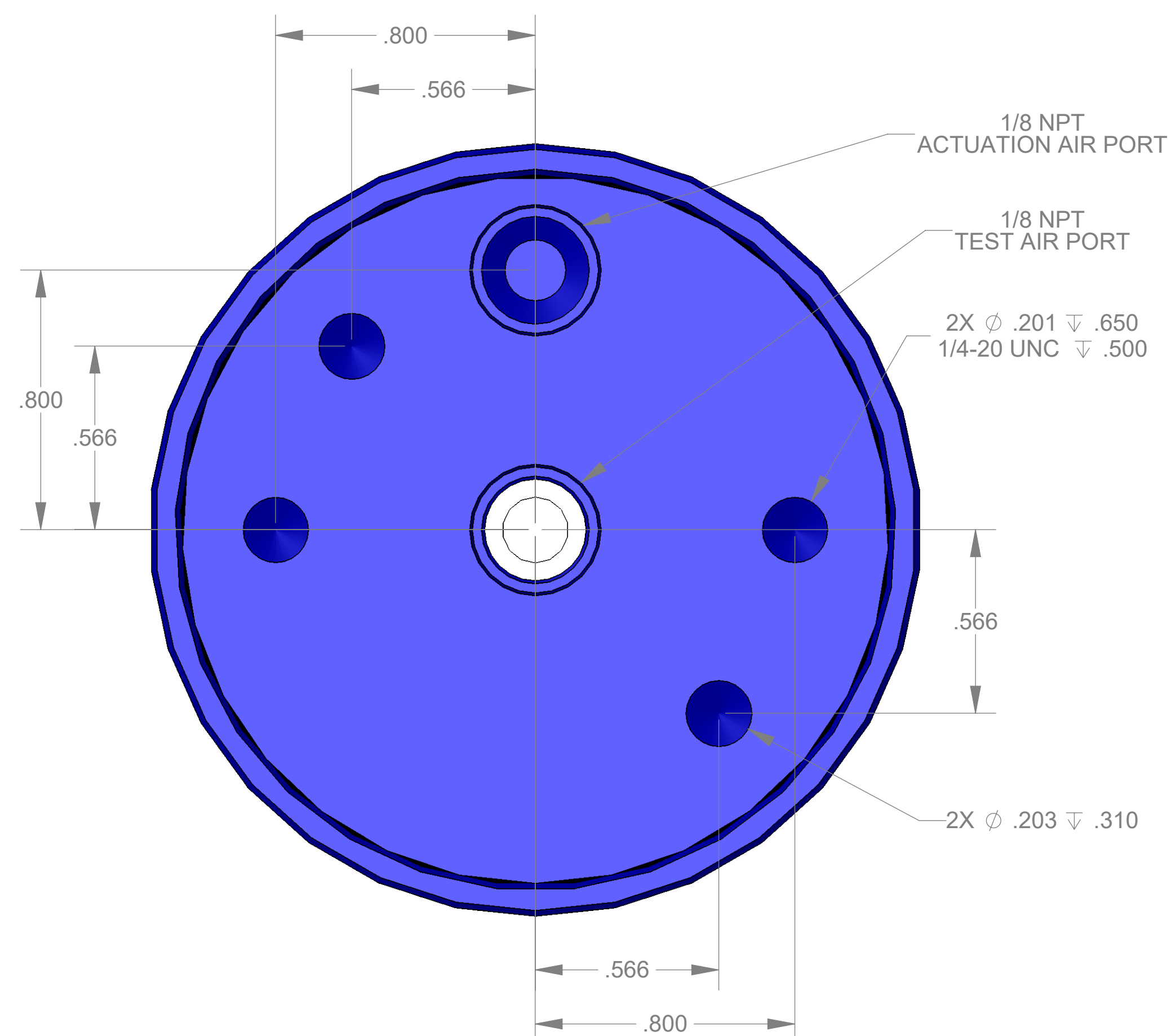
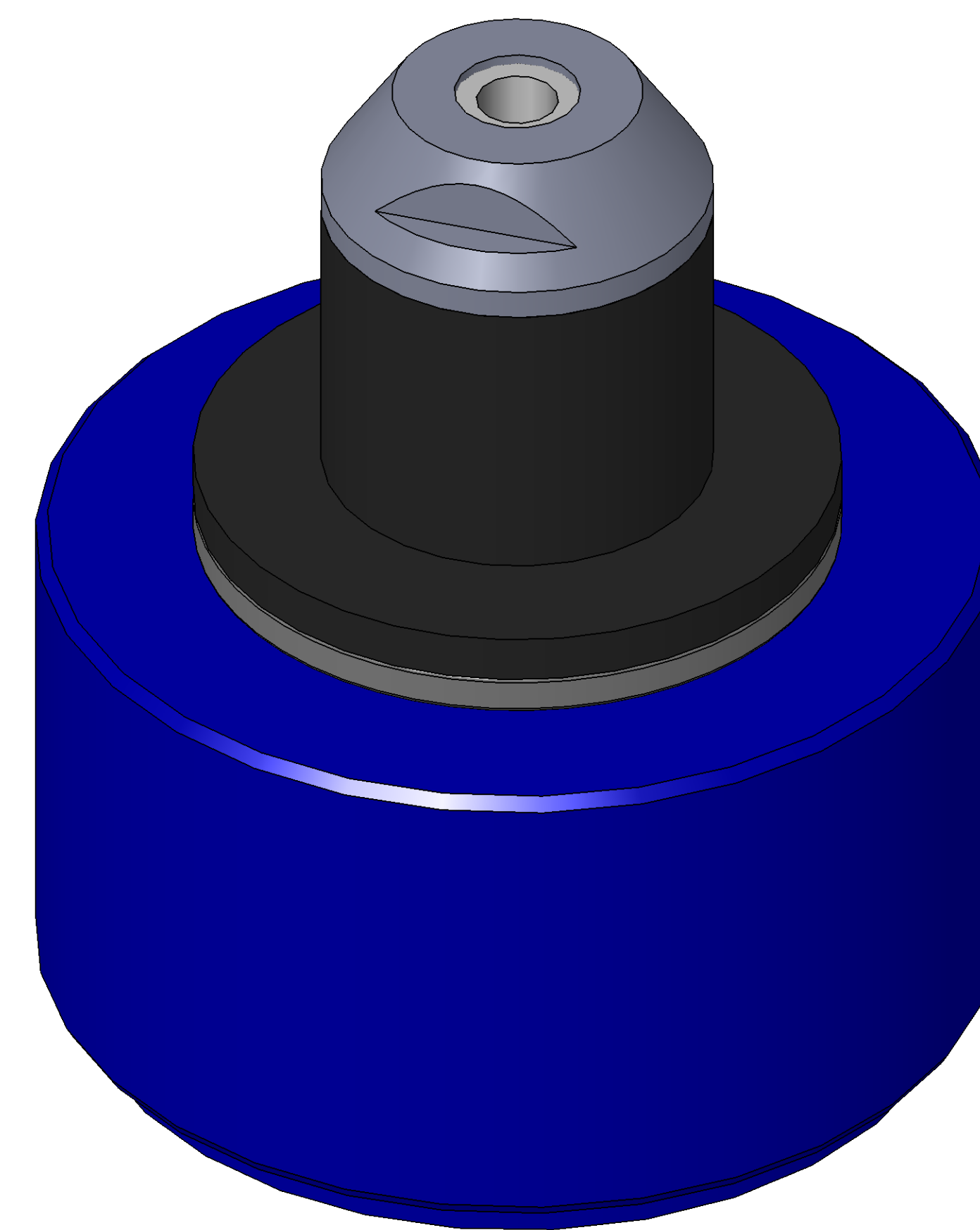


ITEM NO.	PART NUMBER	DESCRIPTION	QTY.
10	MACH-004183	Body, CTS, CI33	1
20	MACH-004250	Cap, CTS, CI33	1
30	MACH-004629	Stem, CTS, CI33	1
40	SEAL-005437	CI33-ORING 113	1
50	SEAL-005441	CI33-ORING 225	1
60	MACH-004324	Nose, CTS, CI33-SAE-1062	1
70	SEAL-004866	Seal, CTS, CI33-SAE-1062	1
80	MACH-004449	Washer, CTS, CI33-SAE-1062	1



SECTION A-A
SCALE 3 : 1



REVISIONS			
REV.	DESCRIPTION	DATE	APPROVED
A	Initial Release	07-19-2005	DAS
B	Nose material changed from brass to 316 stainless steel	12-15-2025	KM



10100 PROGRESS WAY HARRISON, OH 45030

SIZE	DESCRIPTION	REV
D	Connect Assembly, CTS, CI33-SAE-1062	B
PART NUMBER	CTSC-002507	
DATE	7/19/05	DRAWN BY
	CHECKED BY	KM
		SHEET 1 OF 1