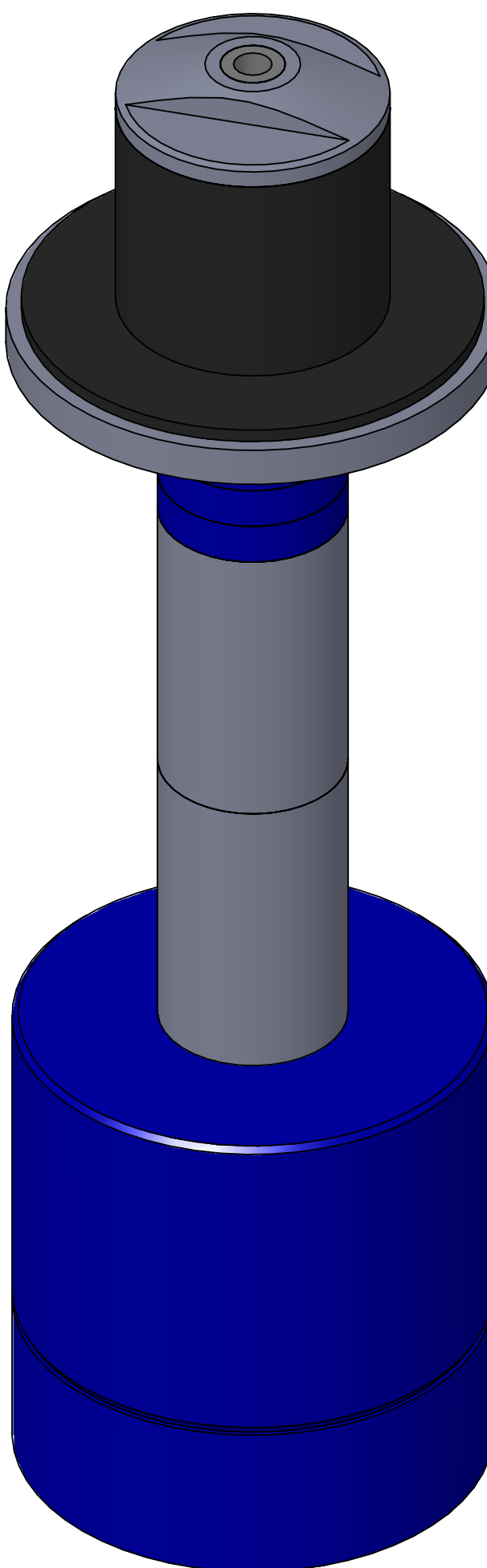
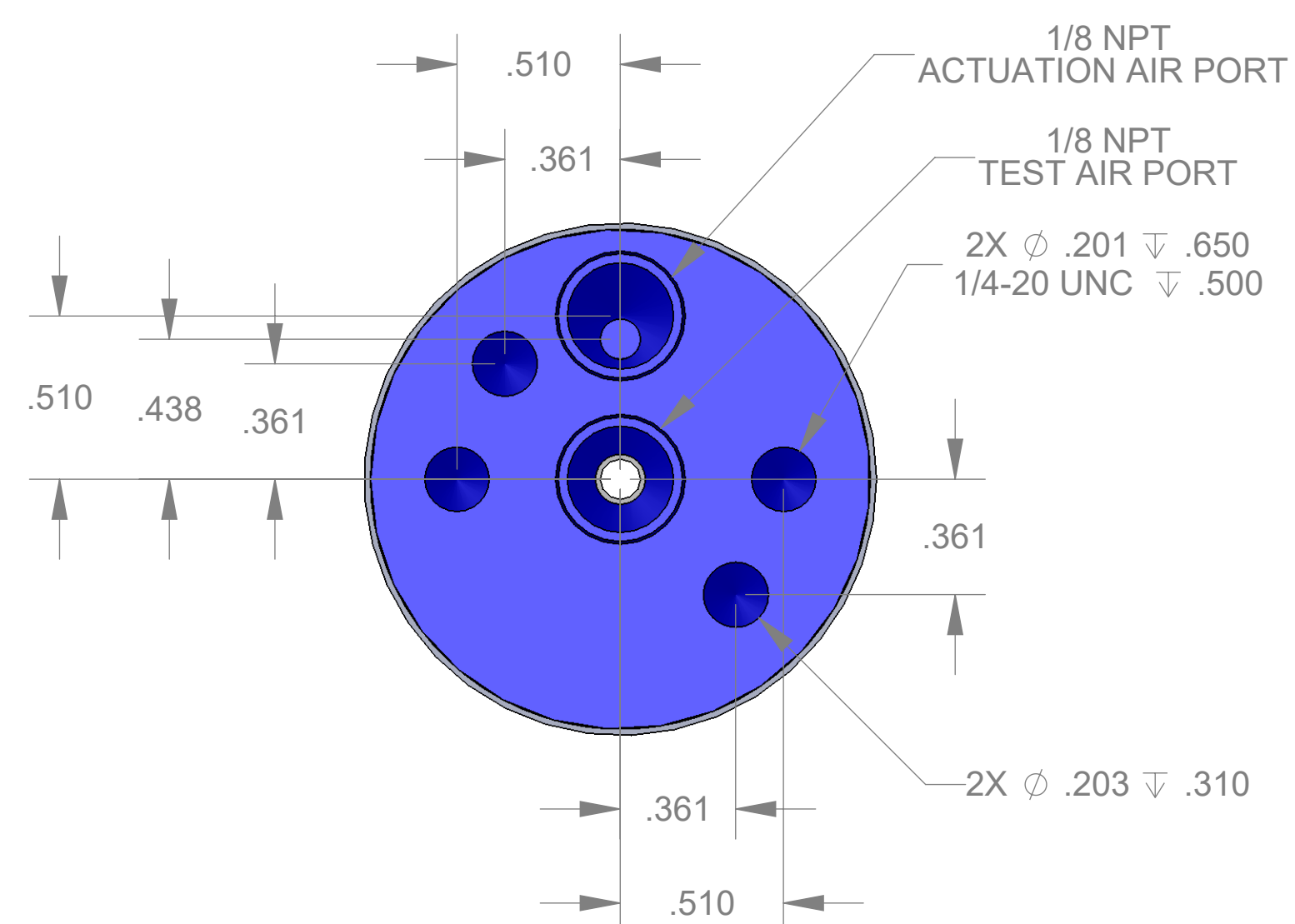


SECTION A-A



ITEM NO.	PART NUMBER	DESCRIPTION	QTY.
10	MACH-004182	Body, CTS, CI32	1
20	MACH-004249	Cap, CTS, CI32	1
30	MACH-054209	Stem, CTS, CI32-E3.0	1
40	SEAL-005436	CI31-ORING 109	1
50	SEAL-005438	CI31-ORING 216	1
60	MACH-050313	Nose, CTS, CI32-SAE-1000	1
70	SEAL-004840	Seal, CTS, CI32-SAE-1000	1
80	MACH-050314	Seal Holder, CTS, CI32-SAE-1000	1
90	MACH-004580	Spacer Extension, CTS, CI32	2
100	MACH-004579	Spacer, CTS, CI32	5



REVISIONS			
REV.	DESCRIPTION	DATE	APPROVED
A	Initial Release	04-01-2026	KM
B	Nose material changed from brass to 316 stainless steel	04-06-2026	KM



SIZE	DESCRIPTION			
D	Connect Assembly, CTS, CI32-SAE-1000-E2.0			
PART NUMBER	REV			
CTSC-002495	B			
DATE	DRAWN BY	CHECKED BY	SHEET	OF
5/13/05	KM	KM	1	1

FILE LOCATION: \\PDM\PDM\R&D\Product Development\CTS Connects\CI\Connect Assembly\Standard\CI32\2in Stem Extension\CTSC-002495