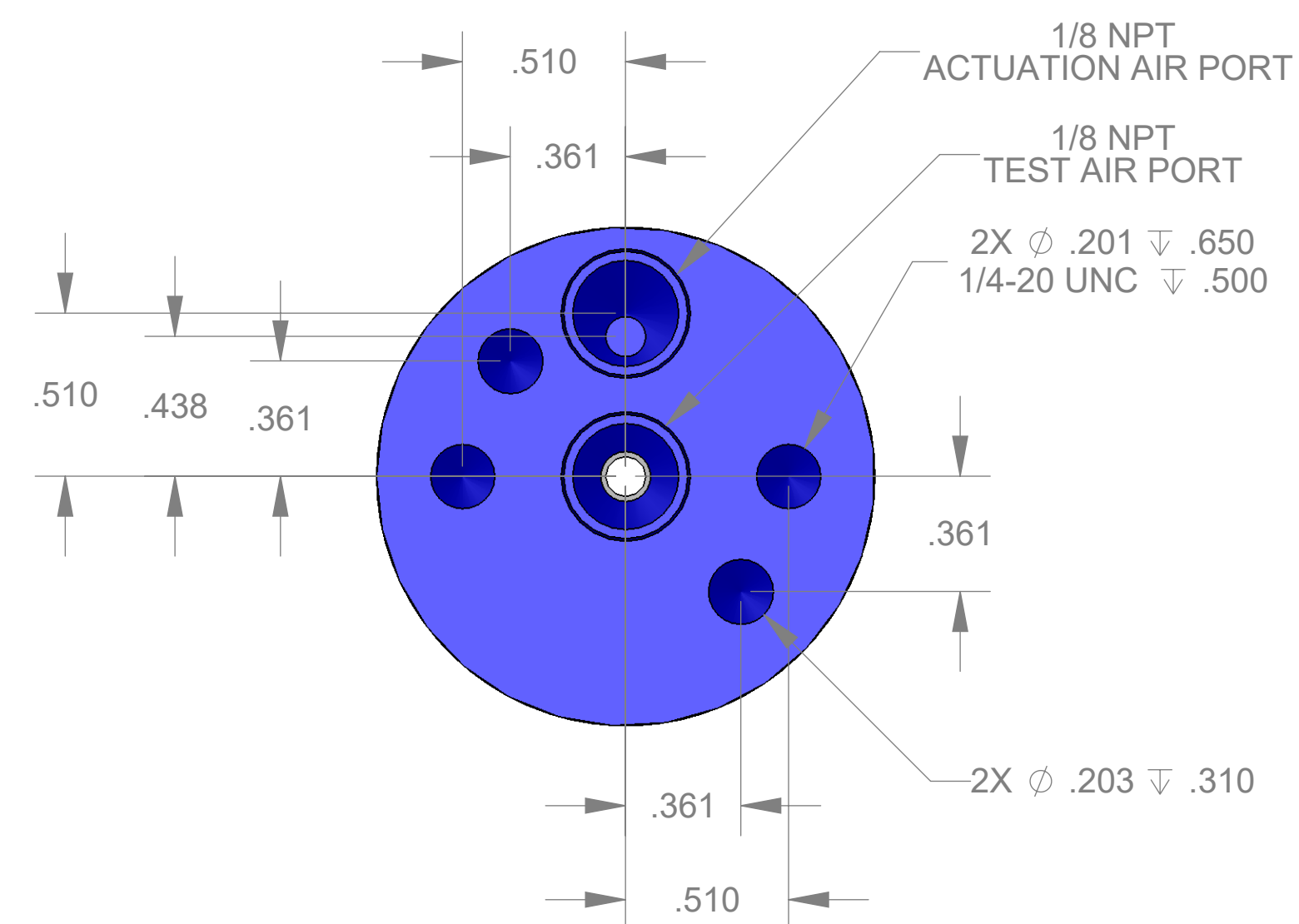
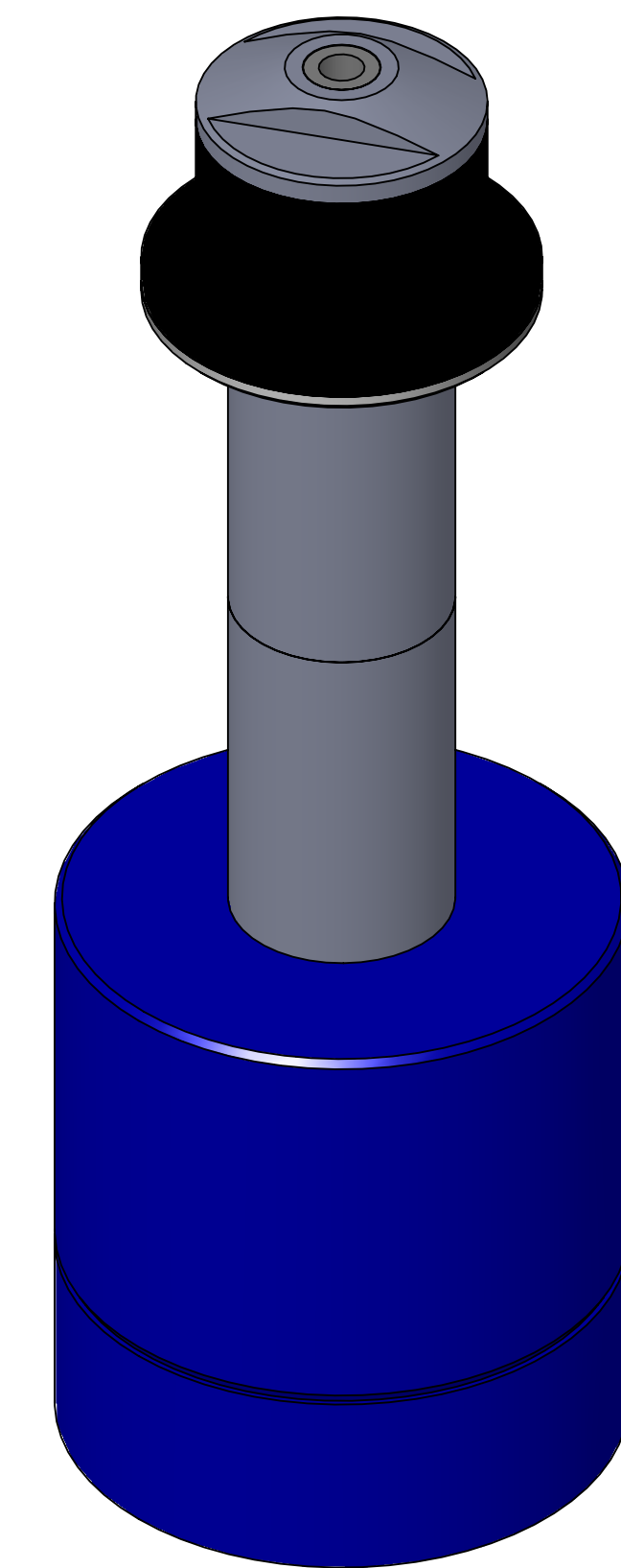


ITEM NO.	PART NUMBER	DESCRIPTION	QTY.
10	MACH-004182	Body, CTS, CI32	1
20	MACH-004249	Cap, CTS, CI32	1
30	MACH-054208	Stem, CTS, CI32-E2.0	1
40	SEAL-005436	CI31-ORING 109	1
50	SEAL-005438	CI31-ORING 216	1
60	MACH-004313	Nose, CTS, CI32-MET-H	1
70	SEAL-004838	Seal, CTS, CI32-MET-H	1
80	MACH-004441	Washer, CTS, CI32-MET-H	1
90	MACH-004580	Spacer Extension, CTS, CI32	2



SECTION A-A

REVISIONS			
REV.	DESCRIPTION	DATE	APPROVED
A	Initial Release	04-01-2026	KM
B	Nose material changed from brass to 316 stainless steel	04-06-2026	KM



SIZE	D	DESCRIPTION	Connect Assembly, CTS, CI32-SAE-0812-E2.0
PART NUMBER	CTSC-002453		REV B
DATE	5/13/05	DRAWN BY KM	CHECKED BY KM SHEET 1 OF 1

FILE LOCATION: \\PDM\PDM\R&D\Product Development\CTS Connects\CI\Connect Assembly\Standard\CI32\2in Stem Extension\CTSC-002453