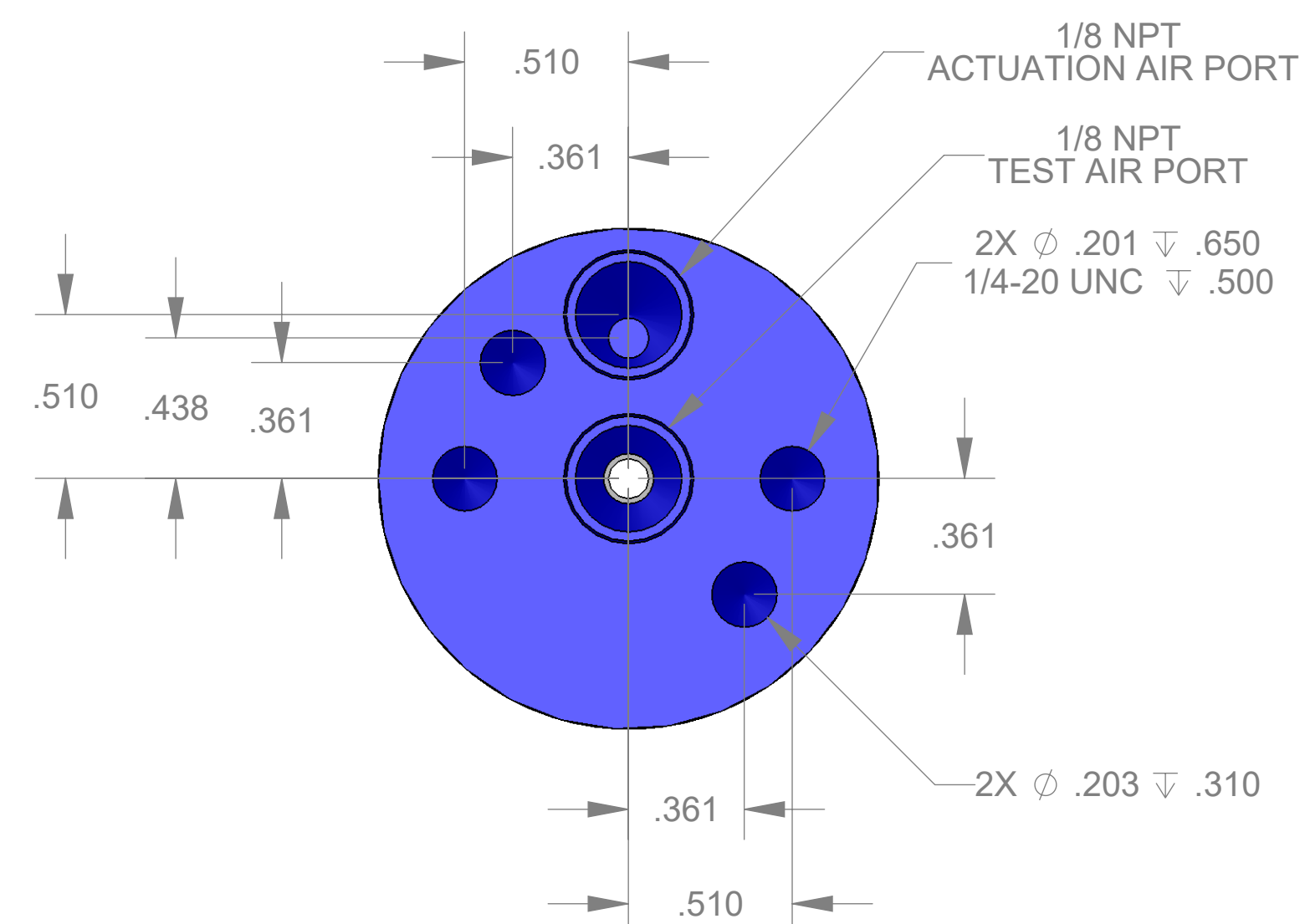
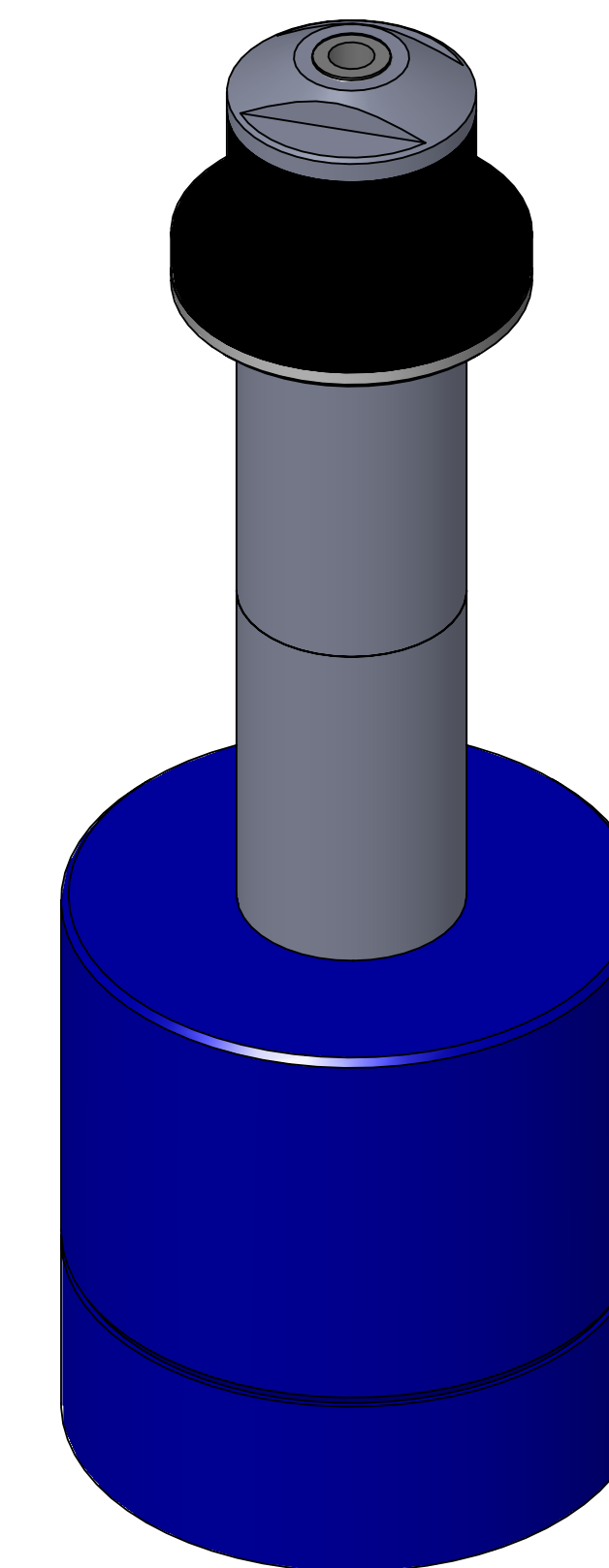


ITEM NO.	PART NUMBER	DESCRIPTION	QTY.
10	MACH-004182	Body, CTS, CI32	1
20	MACH-004249	Cap, CTS, CI32	1
30	MACH-054208	Stem, CTS, CI32-E2.0	1
40	SEAL-005436	CI31-ORING 109	1
50	SEAL-005438	CI31-ORING 216	1
60	MACH-004314	Nose, CTS, CI32-SAE-F	1
70	SEAL-004842	Seal, CTS, CI32-SAE-F	1
80	MACH-004442	Washer, CTS, CI32-SAE-F	1
90	MACH-004580	Spacer Extension, CTS, CI32	2



SECTION A-A

REVISIONS			
REV.	DESCRIPTION	DATE	APPROVED
A	Initial Release	03-31-2026	KM
B	Nose material changed from brass to 316 stainless steel	04-06-2026	KM



SIZE	DESCRIPTION			
D	Connect Assembly, CTS, CI32-SAE-0750-E2.0			
PART NUMBER	REV			
CTSC-002439	B			
DATE	DRAWN BY	CHECKED BY	SHEET	OF
5/13/05	KM	KM	1	1