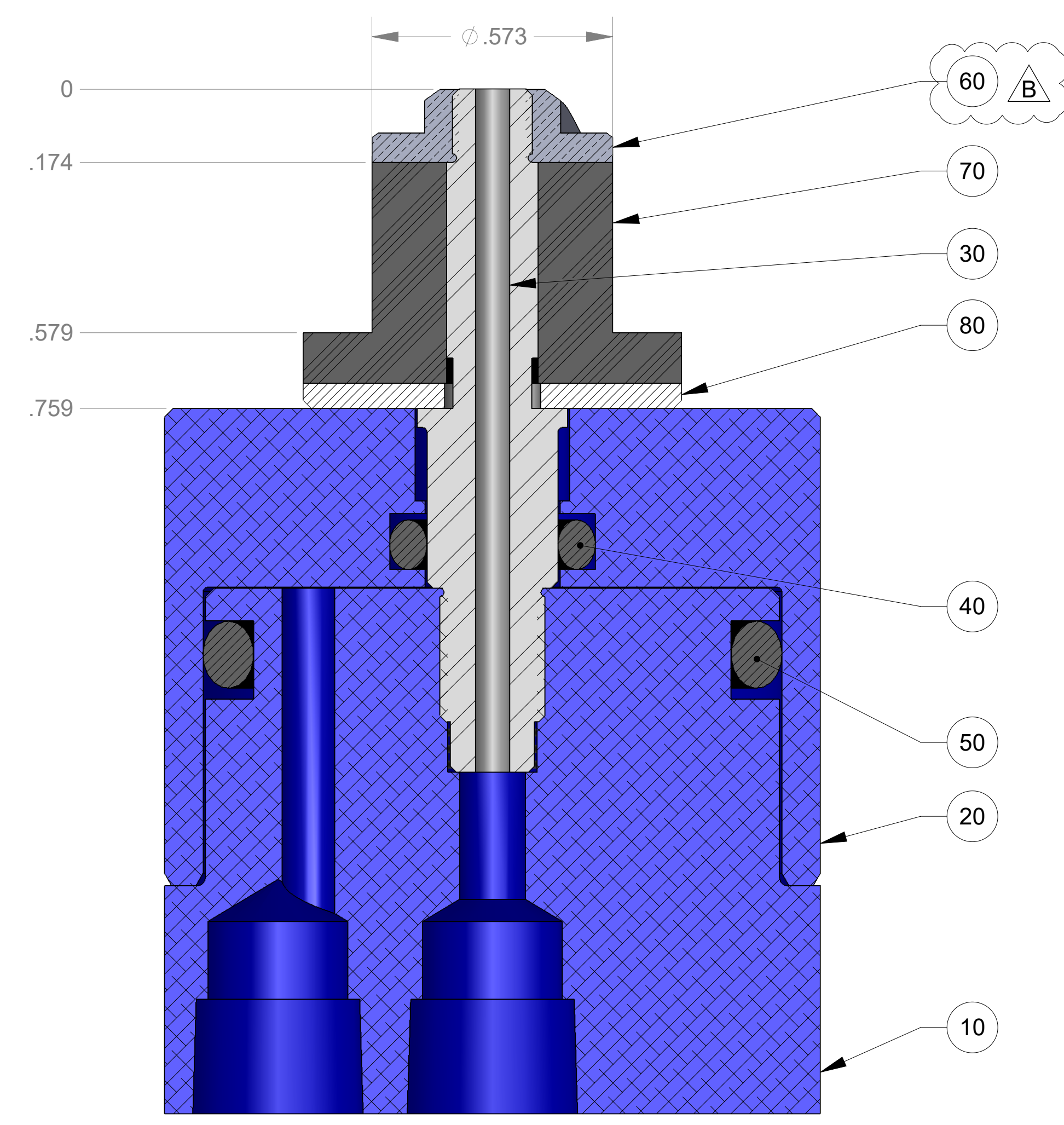
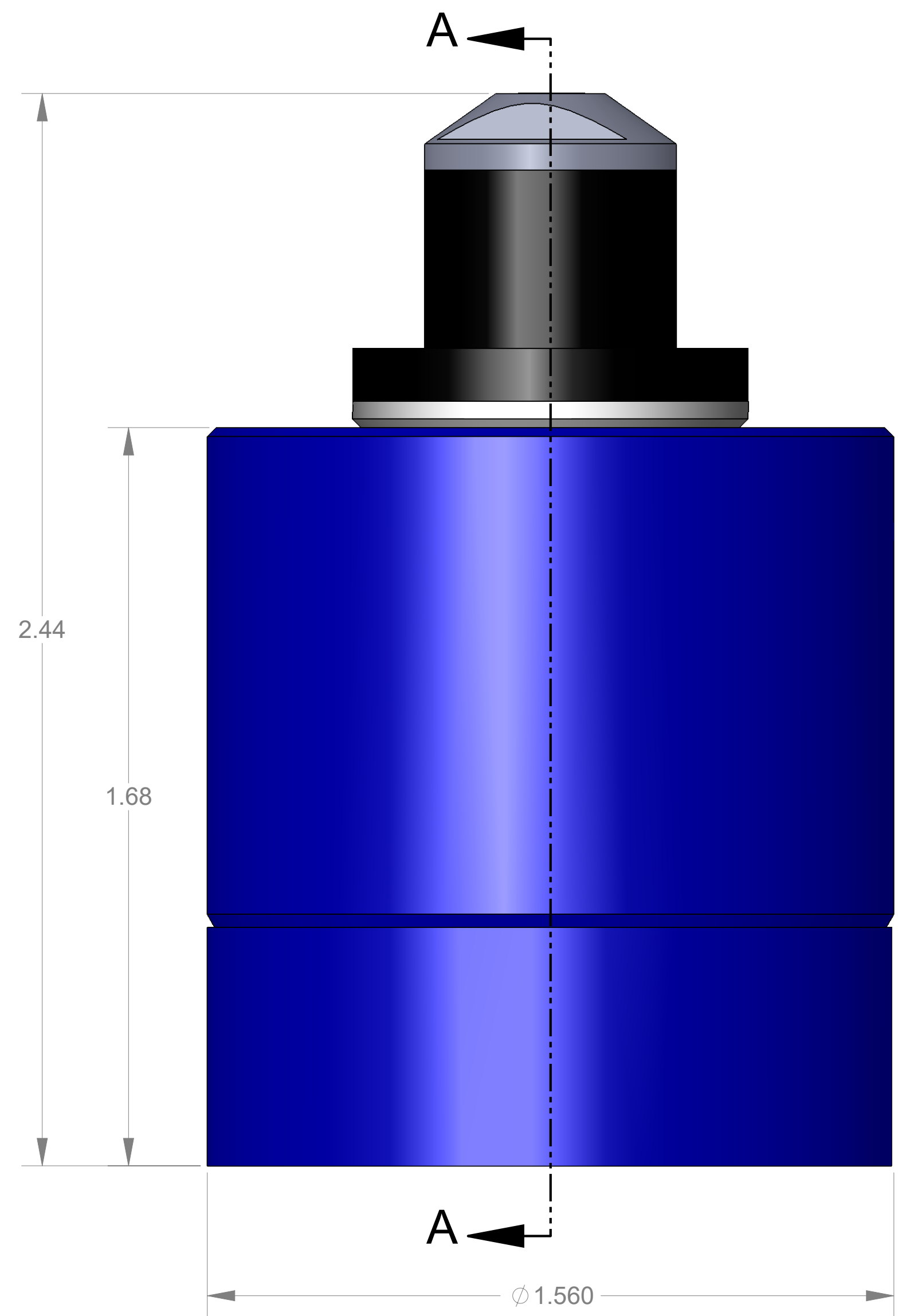
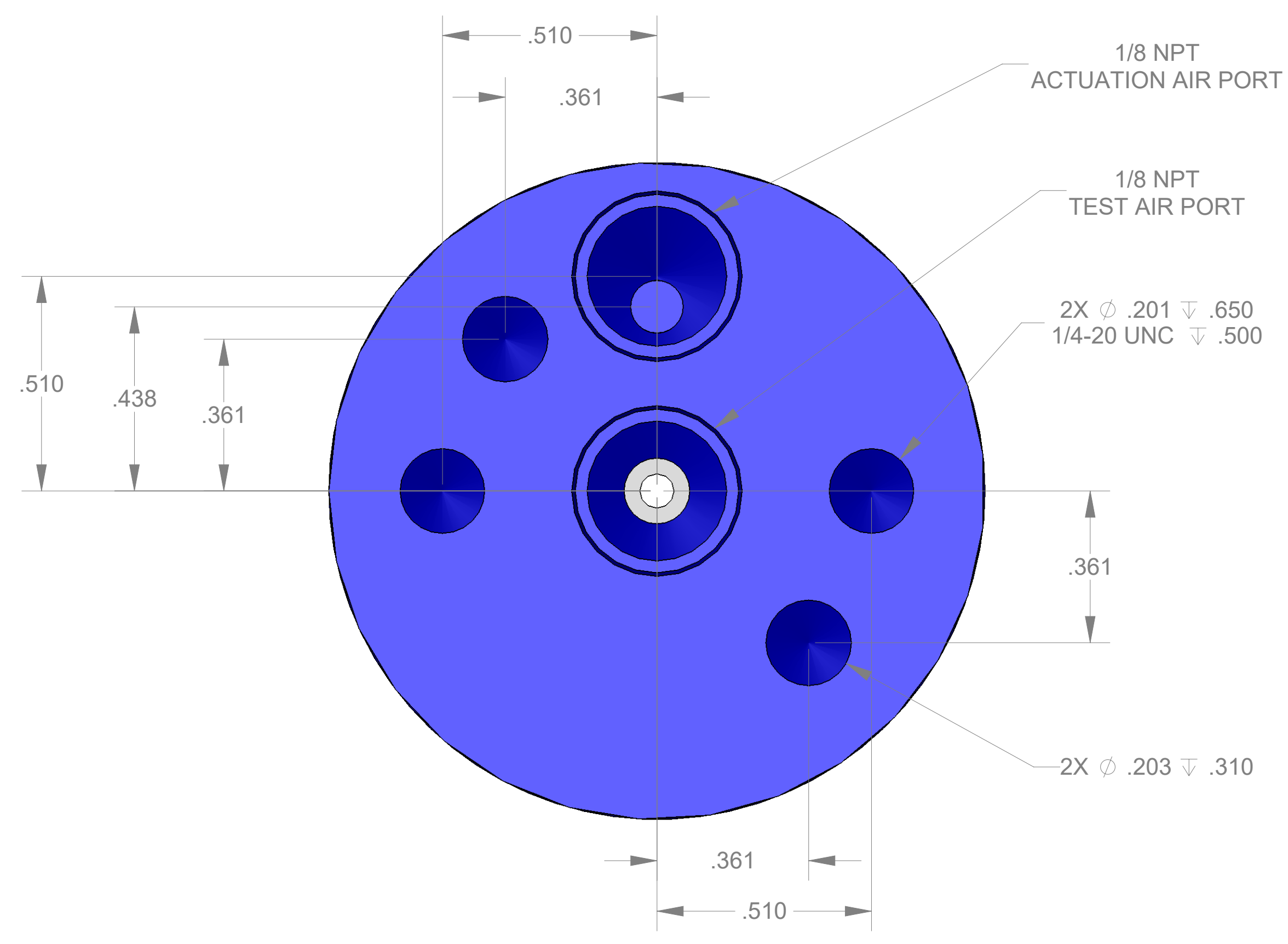
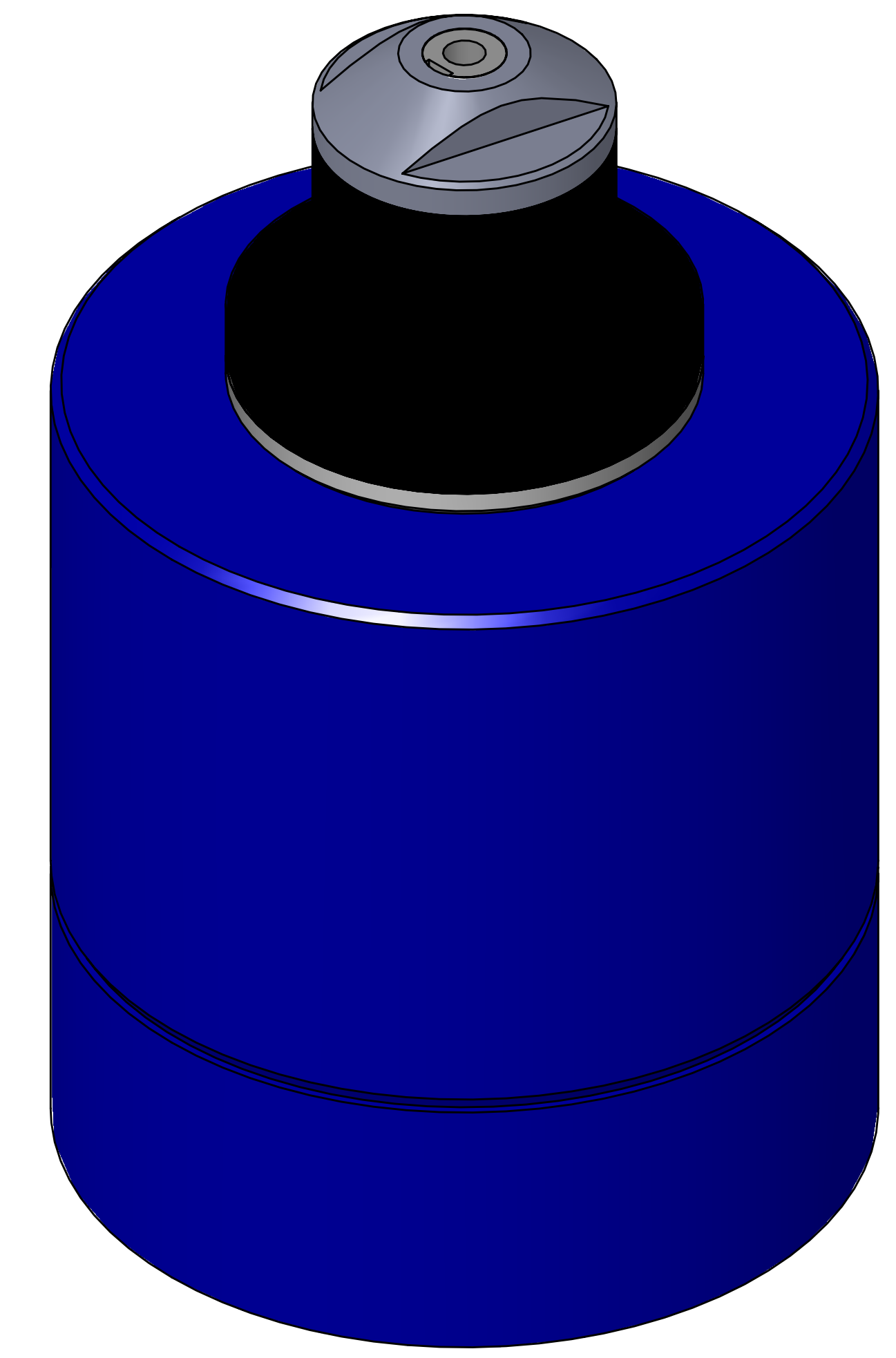


ITEM NO.	PART NUMBER	DESCRIPTION	QTY.
10	MACH-004181	BODY, CTS, CI31	1
20	MACH-004248	Cap, CTS, CI31	1
30	MACH-004618	Stem, CTS, CI31	1
40	SEAL-005436	CI31-ORING 109	1
50	SEAL-005438	CI31-ORING 216	1
60	MACH-004303	Nose, CTS, CI31-SAE-G	1
70	SEAL-004797	Seal, CTS, CI31-SAE-G	1
80	MACH-004435	Washer, CTS, CI31-SAE-G	1



SECTION A-A
SCALE 4:1



REVISIONS			
REV.	DESCRIPTION	DATE	APPROVED
A	Initial Release	07-19-2005	DAS
B	Nose material changed from brass to 316 stainless steel	12-15-2025	KM



SIZE	DESCRIPTION	REV
D	Connect Assembly, CTS, CI31-SAE-0687	B
PART NUMBER		REV
CTSC-002423		B
DATE	DRAWN BY	CHECKED BY
7/19/05		KM
SHEET		OF
1		1