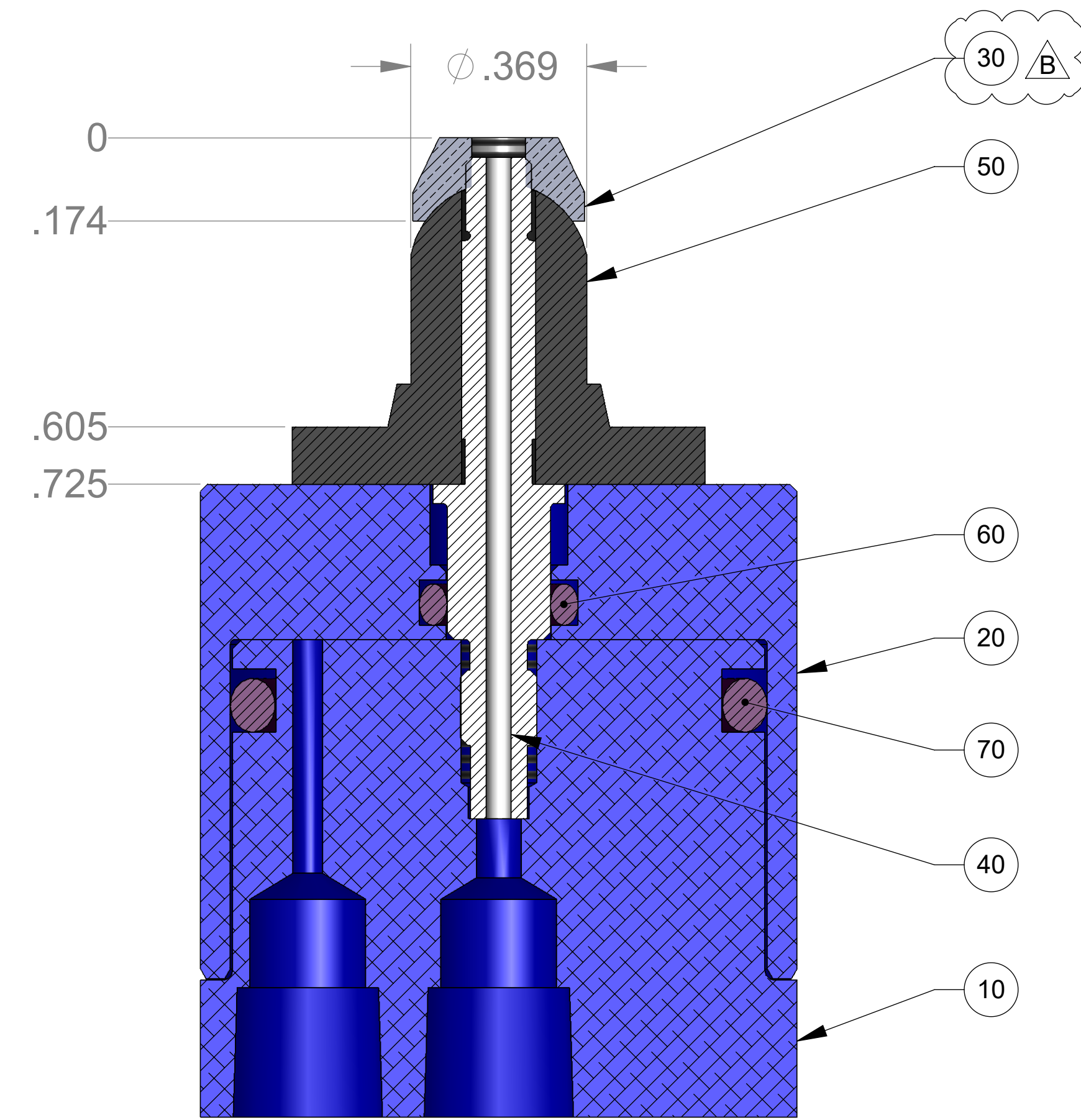
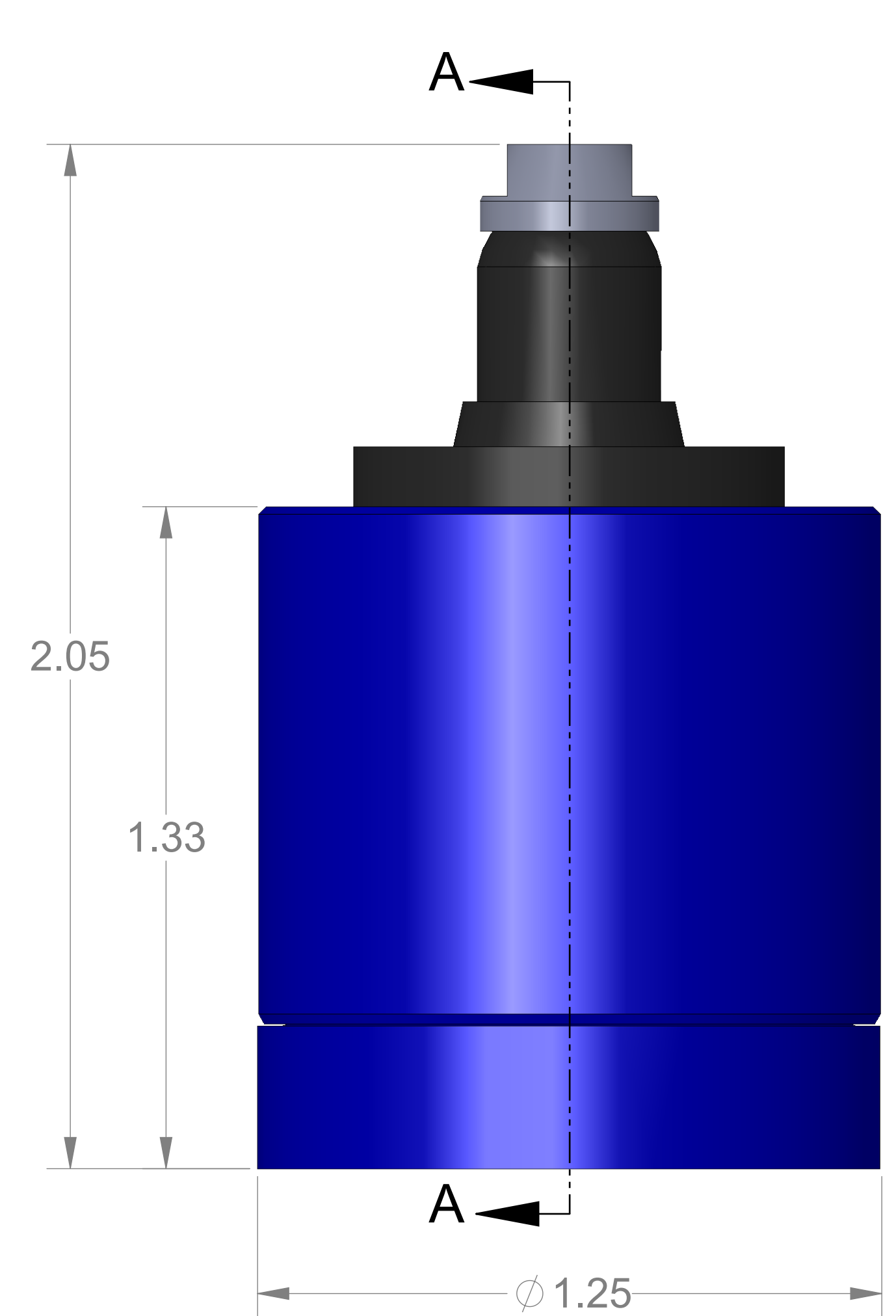
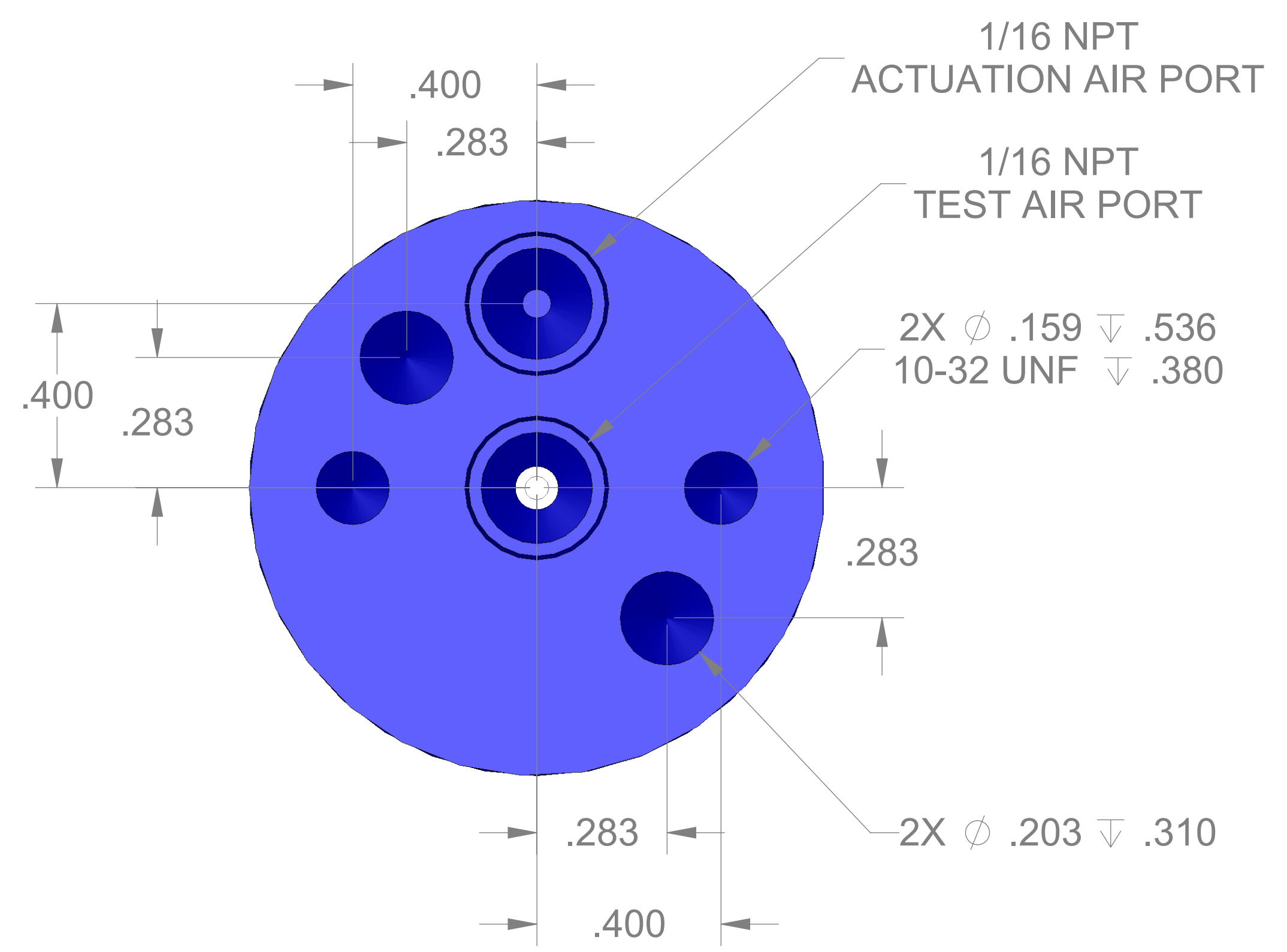


| ITEM NO. | PART NUMBER | DESCRIPTION | QTY. |
|----------|-------------|-----------------------|------|
| 10 | MACH-004180 | BODY, CTS, CI30 | 1 |
| 20 | MACH-004247 | Cap, CTS, CI30 | 1 |
| 30 | MACH-004285 | Nose, CTS, CI30-SAE-C | 1 |
| 40 | MACH-004612 | Stem, CTS, CI30 | 1 |
| 50 | SEAL-004748 | Seal, CTS, CI30-SAE-C | 1 |
| 60 | SEAL-005446 | CI30-ORING 009 | 1 |
| 70 | SEAL-005447 | CI30-ORING 119 | 1 |



SECTION A-A
SCALE 4 : 1



| REVISIONS | | | |
|-----------|---|------------|----------|
| REV. | DESCRIPTION | DATE | APPROVED |
| A | Initial Release | 07-01-2015 | JAW |
| B | Nose material changed from brass to 316 stainless steel | 12-15-2025 | KM |



| | | |
|-------------|--------------------------------------|------------|
| SIZE | DESCRIPTION | REV |
| D | Connect Assembly, CTS, CI30-SAE-0437 | B |
| PART NUMBER | | REV |
| CTSC-002367 | | B |
| DATE | DRAWN BY | CHECKED BY |
| 7/01/15 | | KM |
| SHEET | | OF |
| 1 | | 1 |

FILE LOCATION: \\PDM\ PDM\R&D Product Development\CTS Connects\CI\Connect Assembly\CI30\CTSC-002367

Monday, December 15, 2025