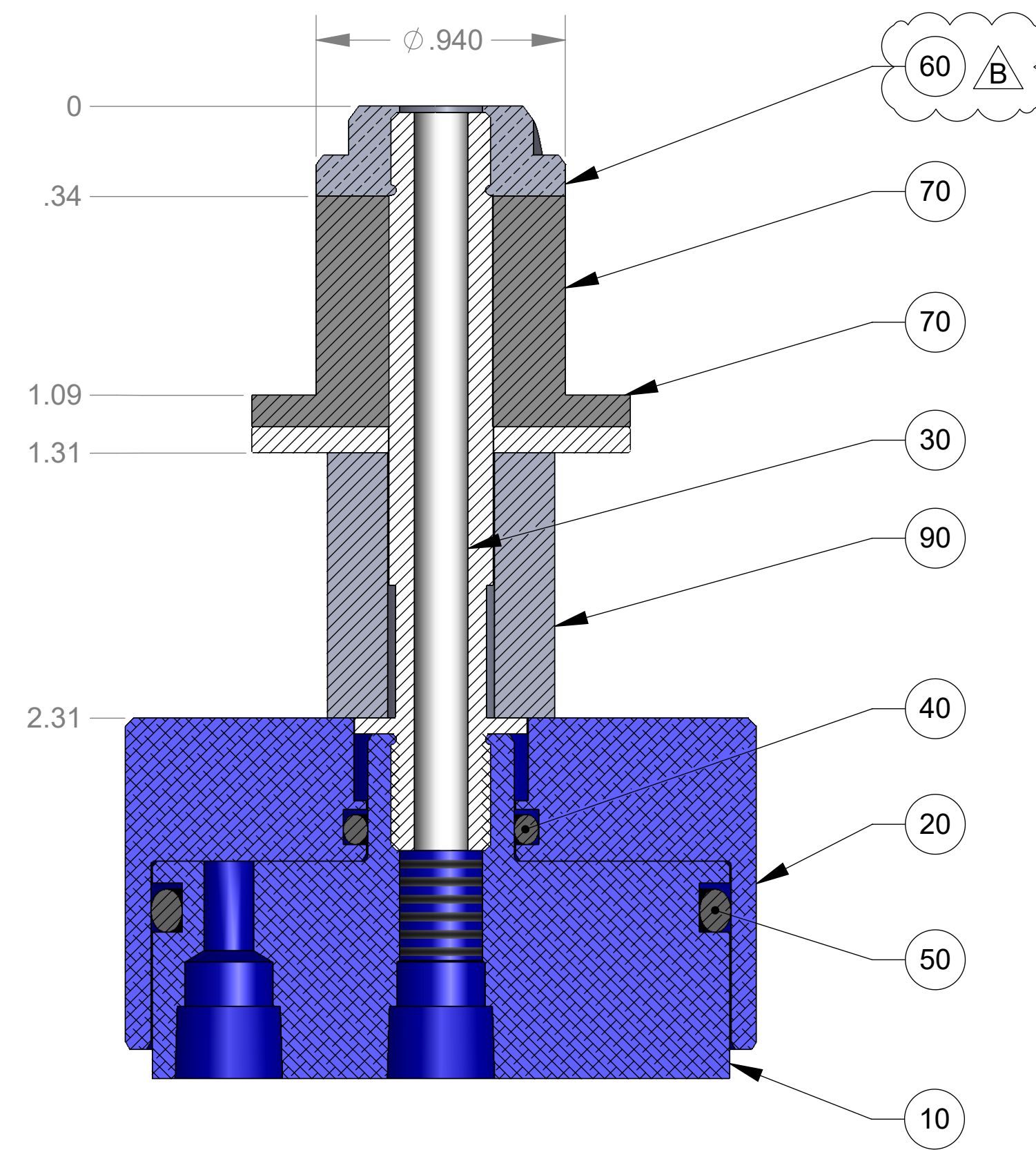
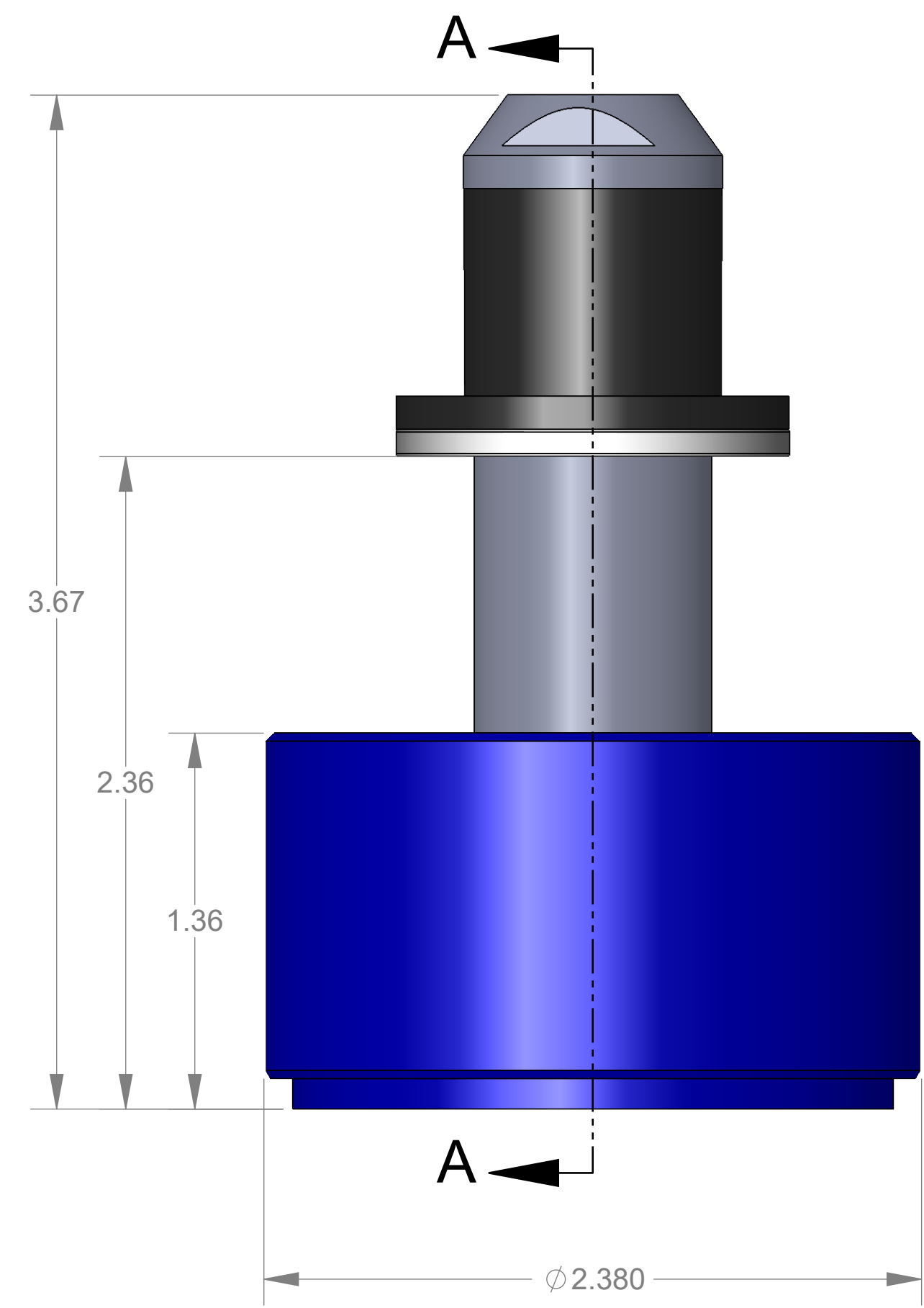
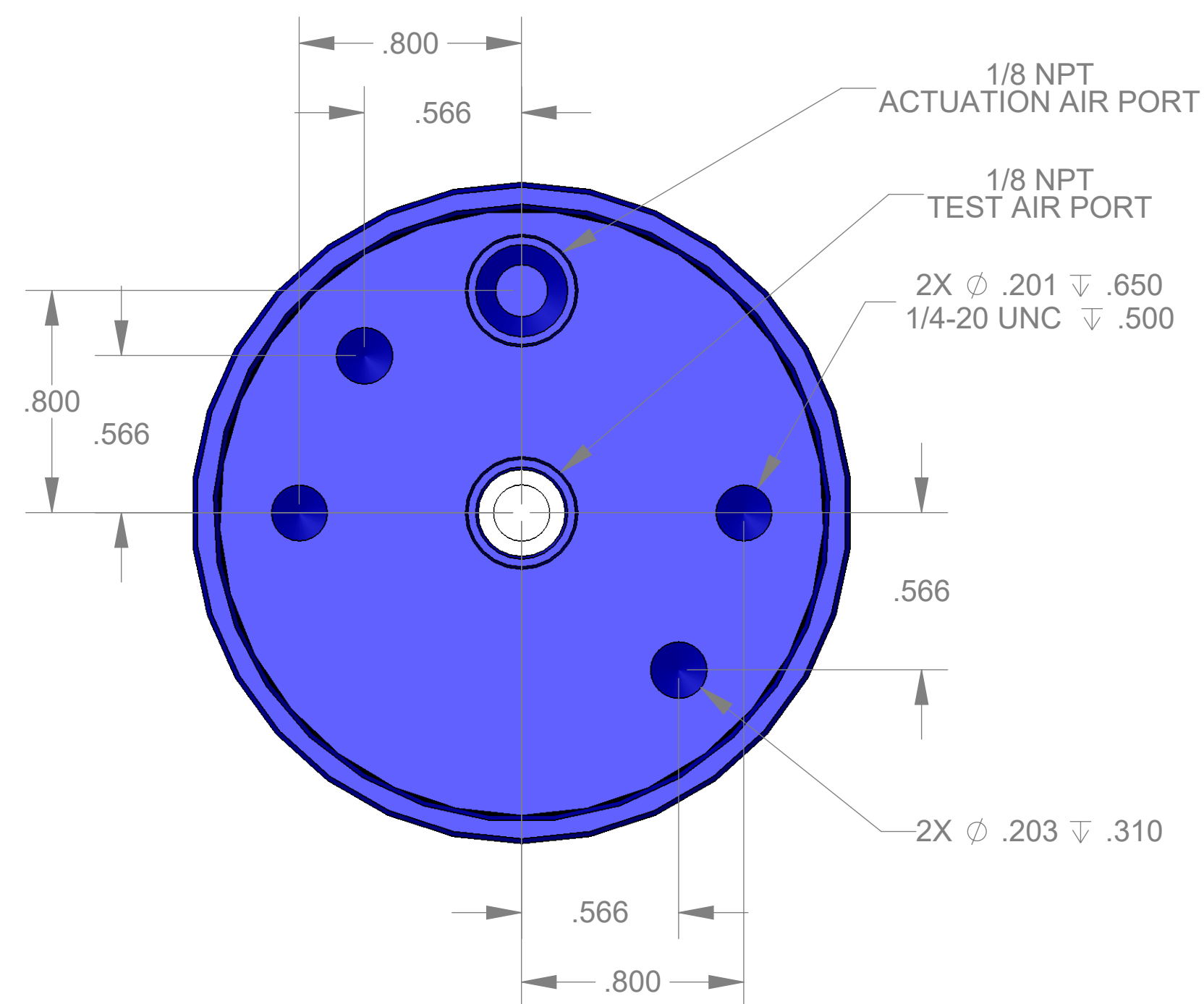


| ITEM NO. | PART NUMBER | DESCRIPTION                 | QTY. |
|----------|-------------|-----------------------------|------|
| 10       | MACH-004183 | Body, CTS, CI33             | 1    |
| 20       | MACH-004250 | Cap, CTS, CI33              | 1    |
| 30       | MACH-054211 | Stem, CTS, CI33-E1.0        | 1    |
| 40       | SEAL-005437 | CI33-ORING 113              | 1    |
| 50       | SEAL-005441 | CI33-ORING 225              | 1    |
| 60       | MACH-004322 | Nose, CTS, CI33-M26         | 1    |
| 70       | SEAL-004864 | Seal, CTS, CI33-M26         | 1    |
| 80       | MACH-004447 | Washer, CTS, CI33-M26       | 1    |
| 90       | MACH-004586 | Spacer Extension, CTS, CI33 | 1    |



SECTION A-A



| REVISIONS |   |            |          |
|-----------|---|------------|----------|
| REV.      | DESCRIPTION   | DATE       | APPROVED |
| A         | Initial Release   | 04-01-2026 | KM       |
| B         | Nose material changed from brass to 316 stainless steel | 04-06-2026 | KM       |



10100 PROGRESS WAY HARRISON, OH 45030

|             |                                      |  |
|-------------|--------------------------------------|--|
| SIZE        | DESCRIPTION                          | REV                                      |
| D           | Connect Assembly, CTS, CI33-M26-E1.0 | B  |
| PART NUMBER | CTSC-002242                          |  |
| DATE        | 7/19/05                              | DRAWN BY: KM CHECKED BY: KM SHEET 1 OF 1 |

FILE LOCATION: C:\PDM\PDM\R&D Product Development\CTS Connects\CI\Connect Assembly\Standard\CI33\1in Stem Extension\CTSC-002242