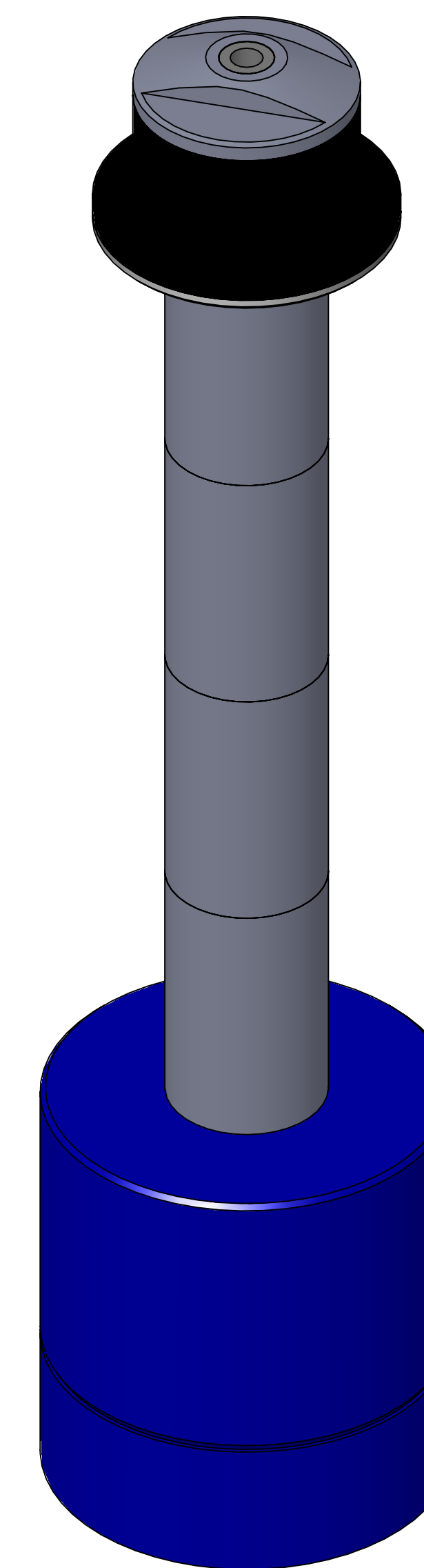


SECTION A-A

ITEM NO.	PART NUMBER	DESCRIPTION	QTY.
10	MACH-004182	Body, CTS, CI32	1
20	MACH-004249	Cap, CTS, CI32	1
30	MACH-054210	Stem, CTS, CI32-E4.0	1
40	SEAL-005436	CI31-ORING 109	1
50	SEAL-005438	CI31-ORING 216	1
60	MACH-004311	Nose, CTS, CI32-M24	1
70	SEAL-004834	Seal, CTS, CI32-M24	1
80	MACH-004439	Washer, CTS, CI32-M24	1
90	MACH-004580	Spacer Extension, CTS, CI32	4



REVISIONS			
REV.	DESCRIPTION	DATE	APPROVED
A	Initial Release	04-01-2026	KM
B	Nose material changed from brass to 316 stainless steel	04-06-2026	KM



10100 PROGRESS WAY HARRISON, OH 45030

SIZE	DESCRIPTION	REV
D	Connect Assembly, CTS, CI32-M24-E4.0	B
PART NUMBER	CTSC-002231	
DATE	DRAWN BY	CHECKED BY
5/13/05	KM	KM
SHEET		1 OF 1