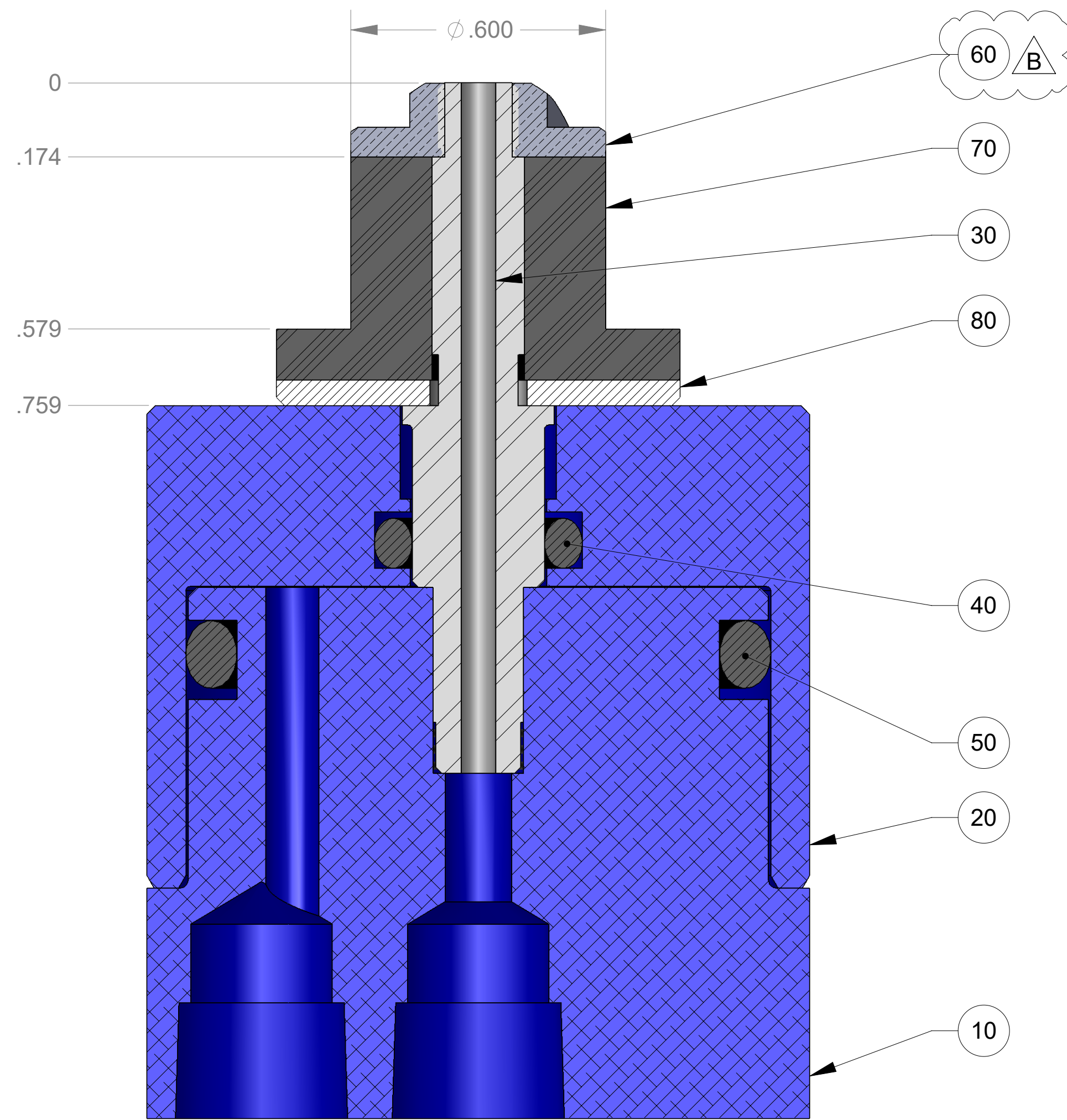
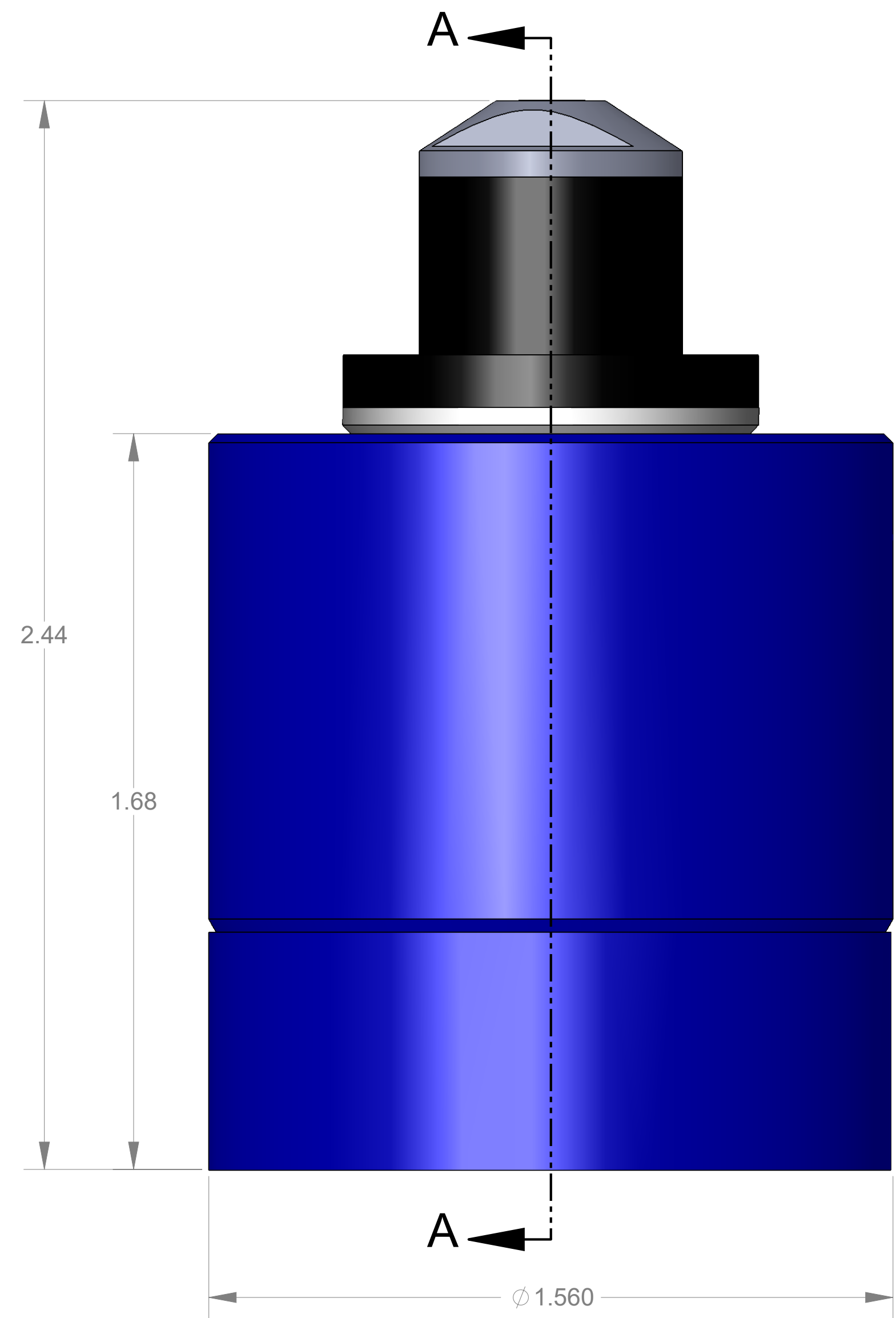
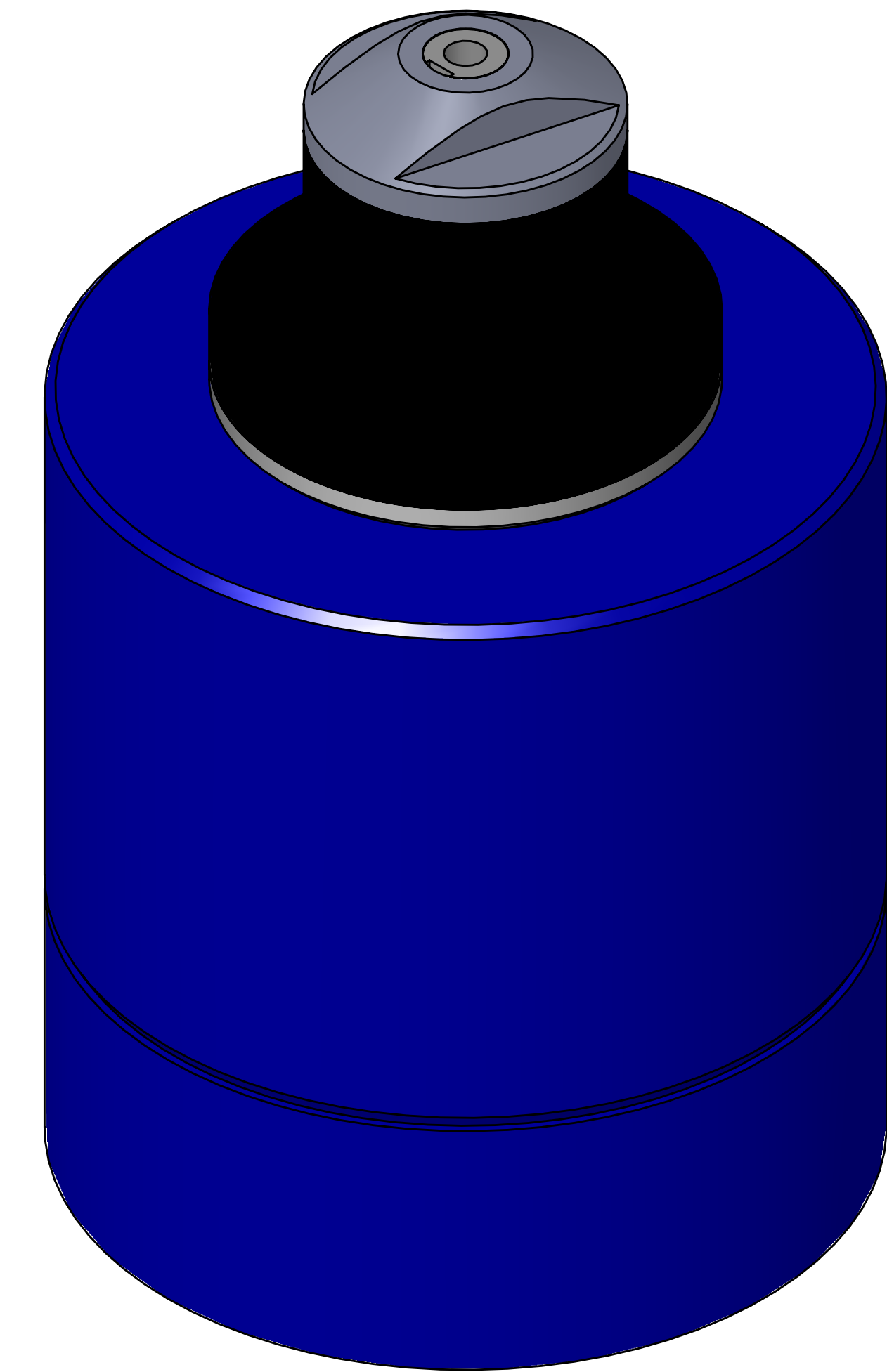
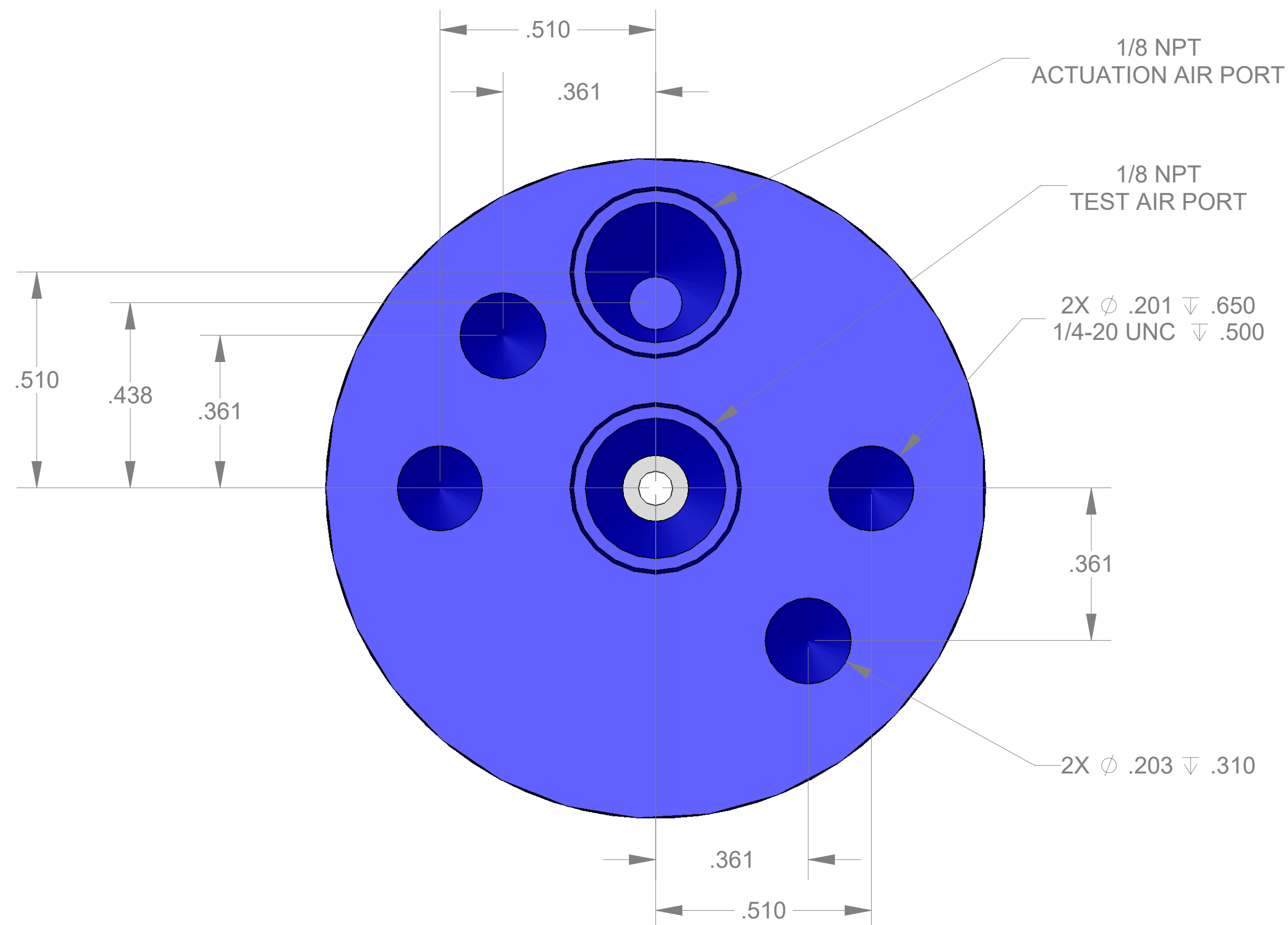


ITEM NO.	PART NUMBER	DESCRIPTION	QTY.
10	MACH-004181	BODY, CTS, CI31	1
20	MACH-004248	Cap, CTS, CI31	1
30	MACH-004618	Stem, CTS, CI31	1
40	SEAL-005436	CI31-ORING 109	1
50	SEAL-005438	CI31-ORING 216	1
60	MACH-004300	Nose, CTS, CI31-MET-F	1
70	SEAL-004791	Seal, CTS, CI31-MET-F	1
80	MACH-004432	Washer, CTS, CI31-MET-F	1



SECTION A-A
SCALE 4 : 1



REVISIONS			
REV.	DESCRIPTION	DATE	APPROVED
A	Initial Release	07-19-2005	DAS
B	Nose material changed from brass to 316 stainless steel	12-15-2025	KM



10100 PROGRESS WAY HARRISON, OH 45030

SIZE	DESCRIPTION	REV
D	Connect Assembly, CTS, CI31-M18	B
PART NUMBER	CTSC-002185	
DATE	7/19/05	DRAWN BY
CHECKED BY	KM	SHEET 1 OF 1

FILE LOCATION: C:\PDM\PDM\R&D Product Development\CTS Connects\CI\Connect Assembly\CI31\CTSC-002185

Monday, December 15, 2025