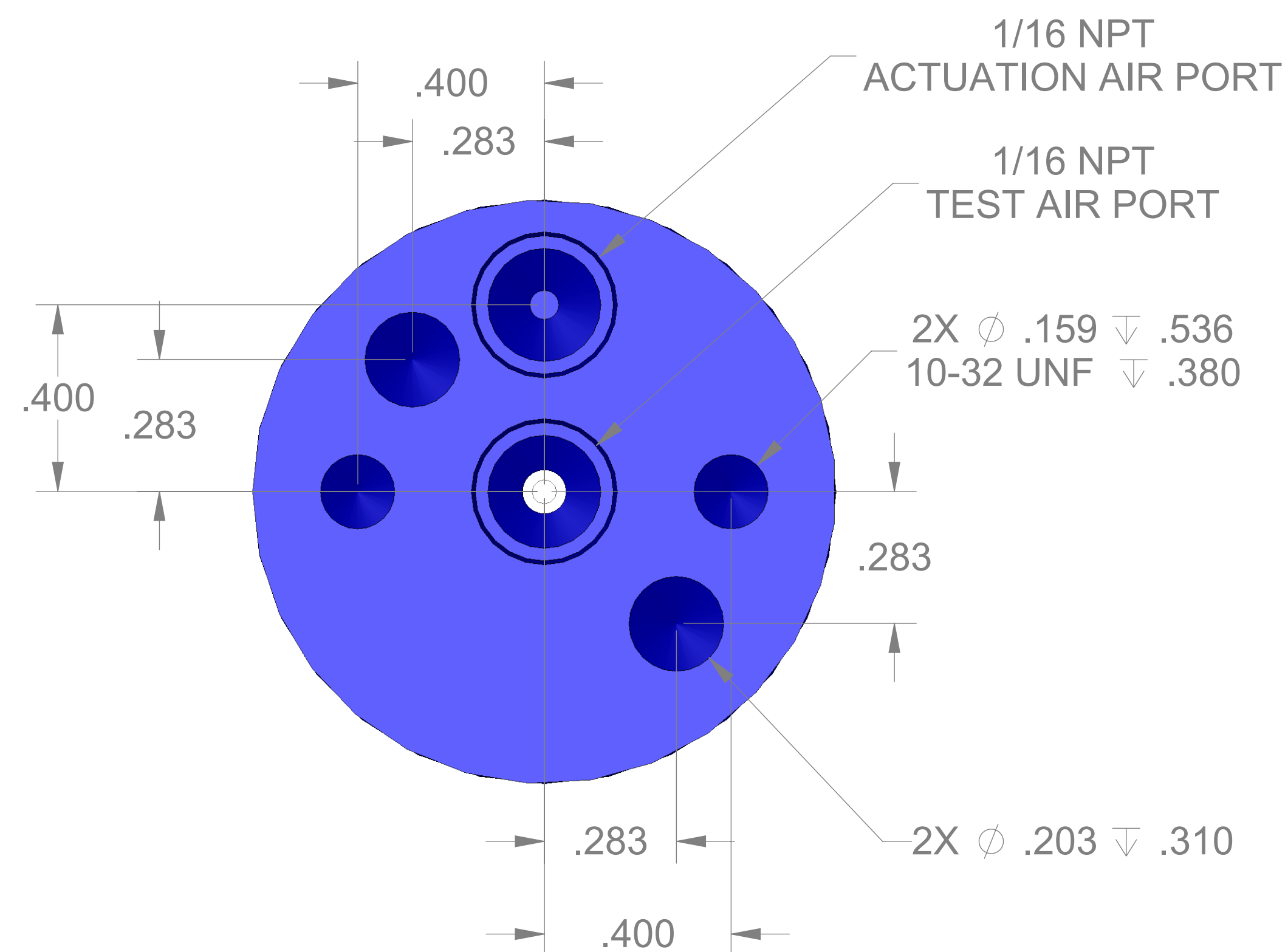
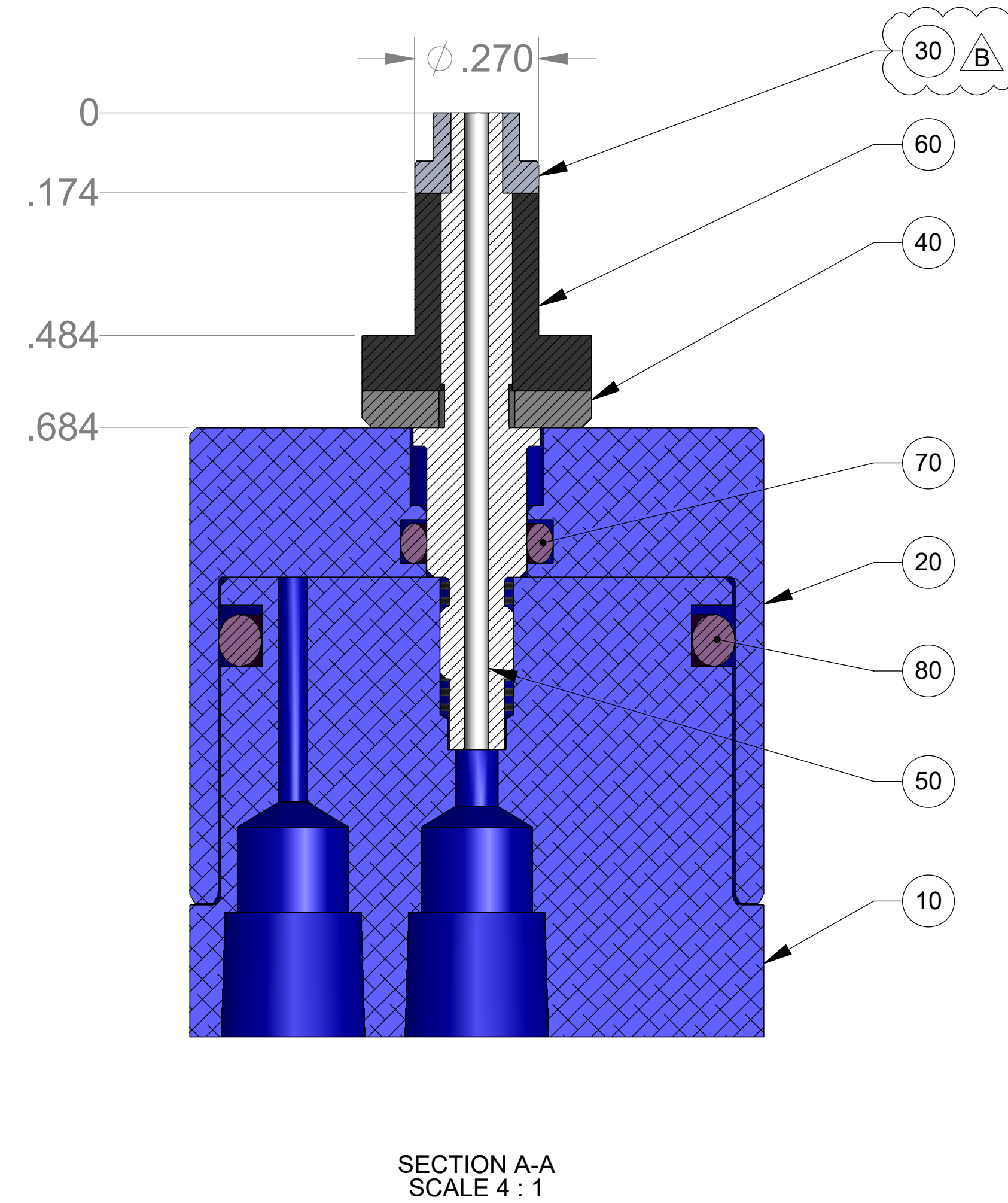
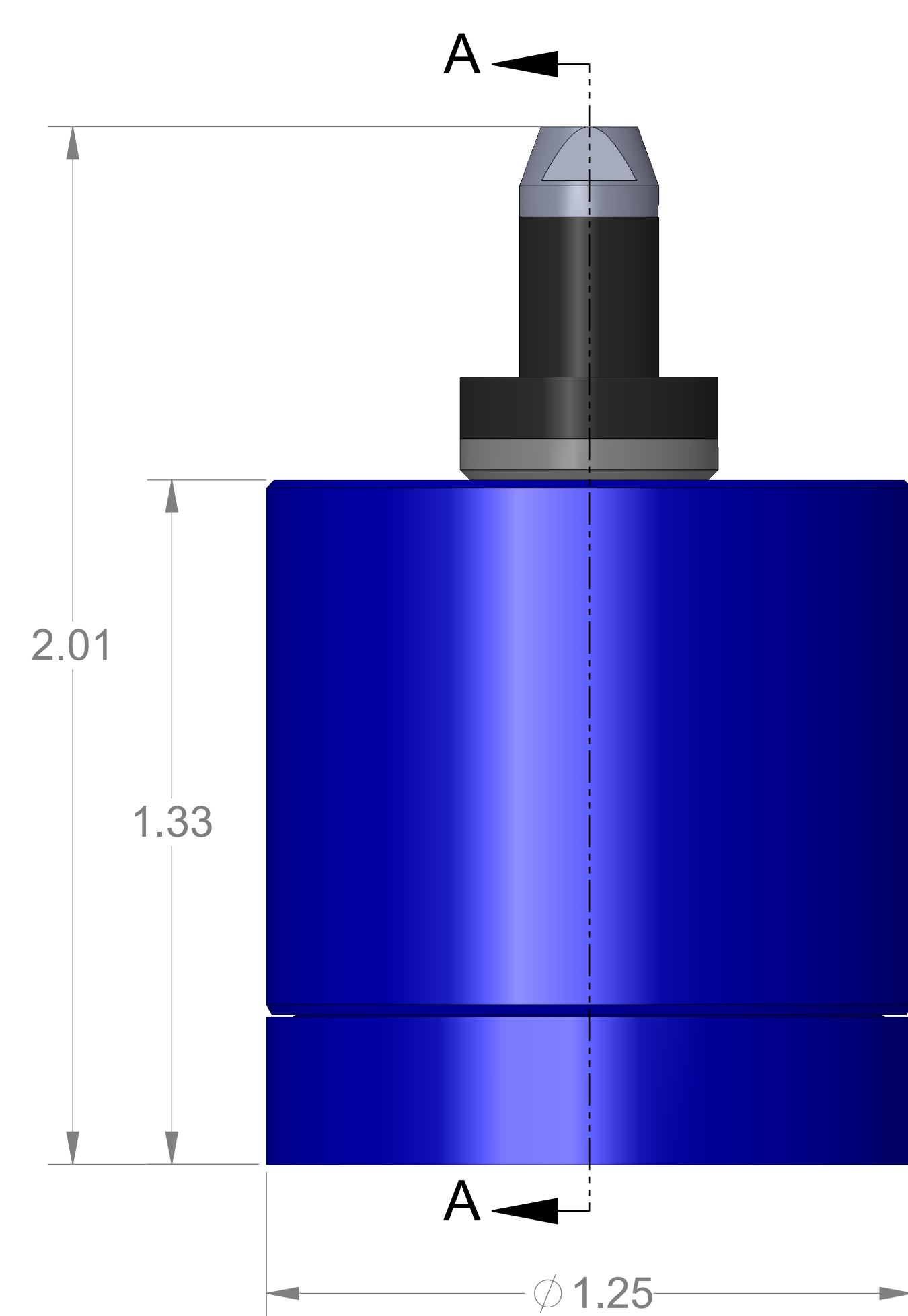


ITEM NO.	PART NUMBER	DESCRIPTION	QTY.
10	MACH-004180	BODY, CTS, CI30	1
20	MACH-004247	Cap, CTS, CI30	1
30	MACH-004282	Nose, CTS, CI30-MET-A	1
40	MACH-004421	Washer, CTS, CI30-MET-A	1
50	MACH-004612	Stem, CTS, CI30	1
60	SEAL-004737	Seal, CTS, CI30-MET-A	1
70	SEAL-005446	CI30-ORING 009	1
80	SEAL-005447	CI30-ORING 119	1



REVISIONS			
REV.	DESCRIPTION	DATE	APPROVED
A	Initial Release	07-01-2015	JAW
B	Nose material changed from brass to 316 stainless steel	12-15-2025	KM



SIZE	DESCRIPTION
D	Connect Assembly, CTS, CI30-M8
PART NUMBER	REV
CTSC-002115	B
DATE	DRAWN BY
	CHECKED BY KM
	SHEET 1 OF 1

FILE LOCATION: \\PDM\ PDM\R&D Product Development\CTS Connects\CI\Connect Assembly\CI30\CTSC-002115