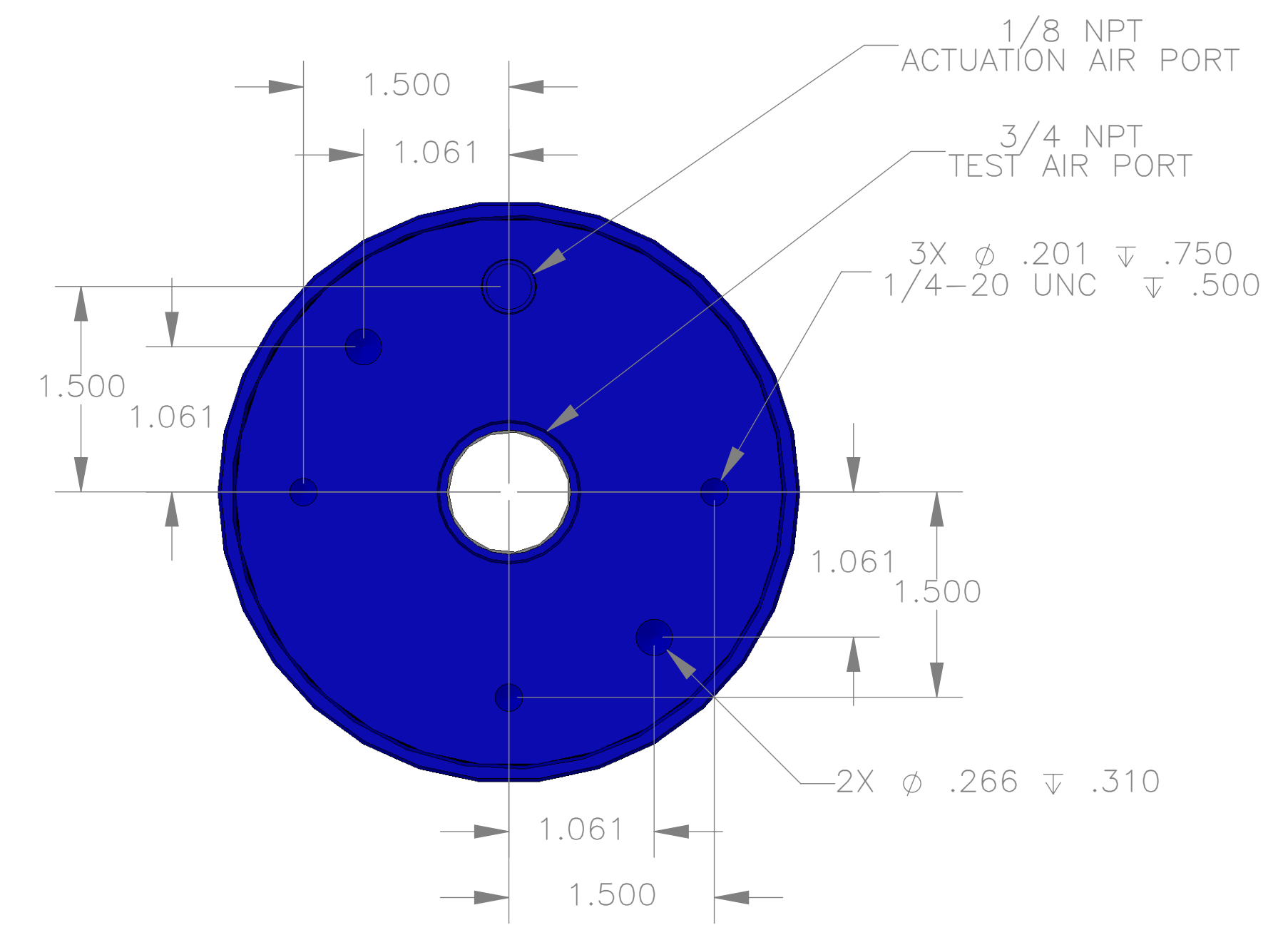
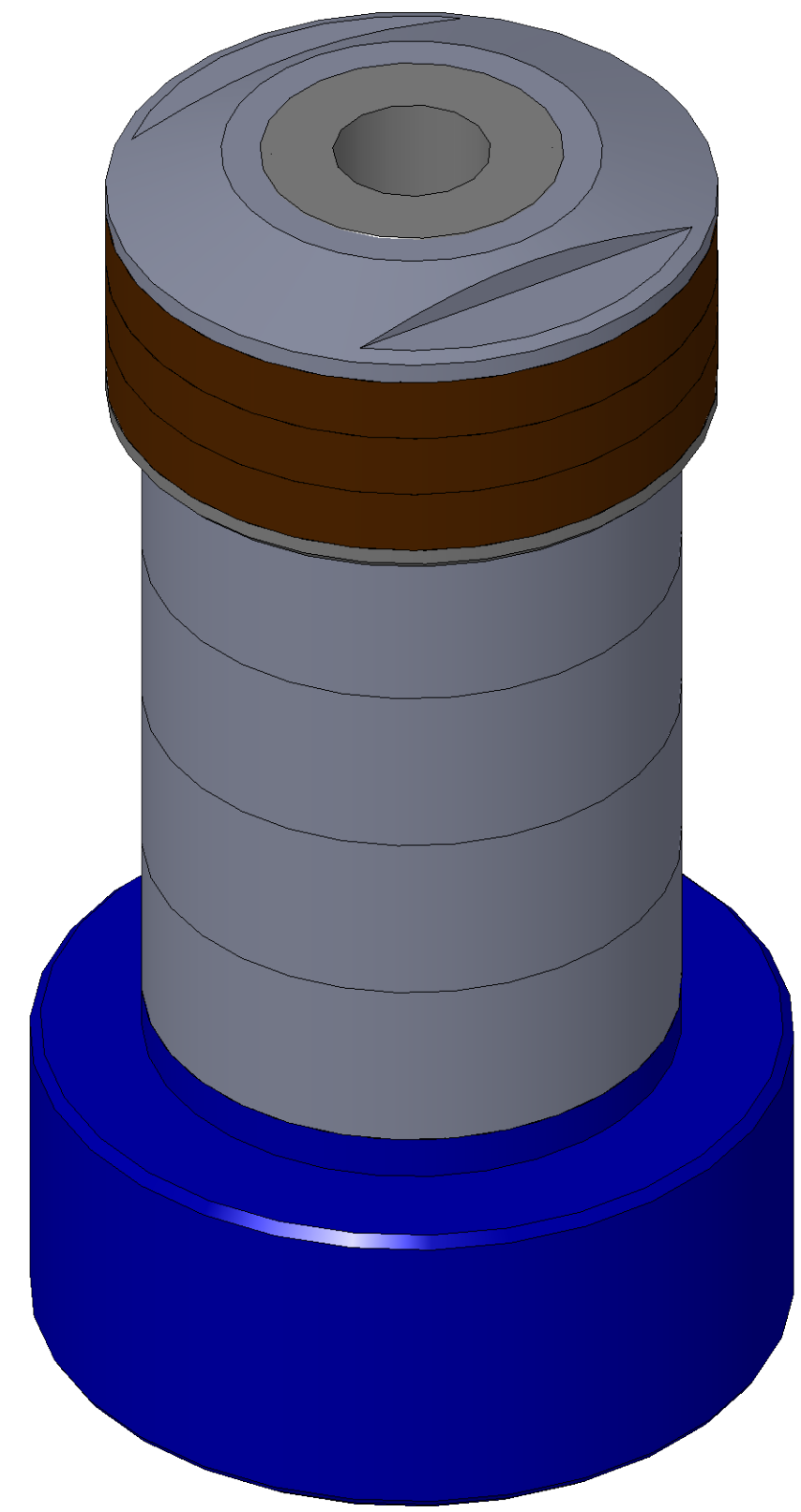


ITEM NO.	PART NUMBER	DESCRIPTION	QTY.
10	MACH-004189	Body, CTS, CI39	1
20	MACH-004256	Cap, CTS, CI39	1
30	MACH-054236	Stem, CTS, CI39/40-E4.0	1
40	MACH-004604	Spacer, CTS, CI39/40	1
50	SEAL-005442	CI39-ORING 226	1
60	SEAL-005444	CI37/38-ORING 342	1
70	MACH-004365	Nose, CTS, CI39-AD	1
80	SEAL-005008	Seal, CTS, CI39-AD	3
90	MACH-004480	Washer, CTS, CI39-AD	1
100	MACH-004605	Spacer Extension, CTS, CI39-CI40	4



REVISIONS			
REV.	DESCRIPTION	DATE	APPROVED
A	Initial Release	03-11-2026	KM
B	Nose material changed from brass to 316 stainless steel	03-12-2026	KM



SIZE	DESCRIPTION			
D	Connect Assembly, CTS, CI39-AD-E4.0			
PART NUMBER	REV			
CTSC-002044	B			
DATE	DRAWN BY	CHECKED BY	SHEET	OF
8/12/05	KM	KM	1	1

FILE LOCATION: C:\PDM\PDM\R&D Product Development\CTS Connects\CI\Connect Assembly\Standard\CI39\4in Stem Extension\CTSC-002044

Thursday, March 12, 2026