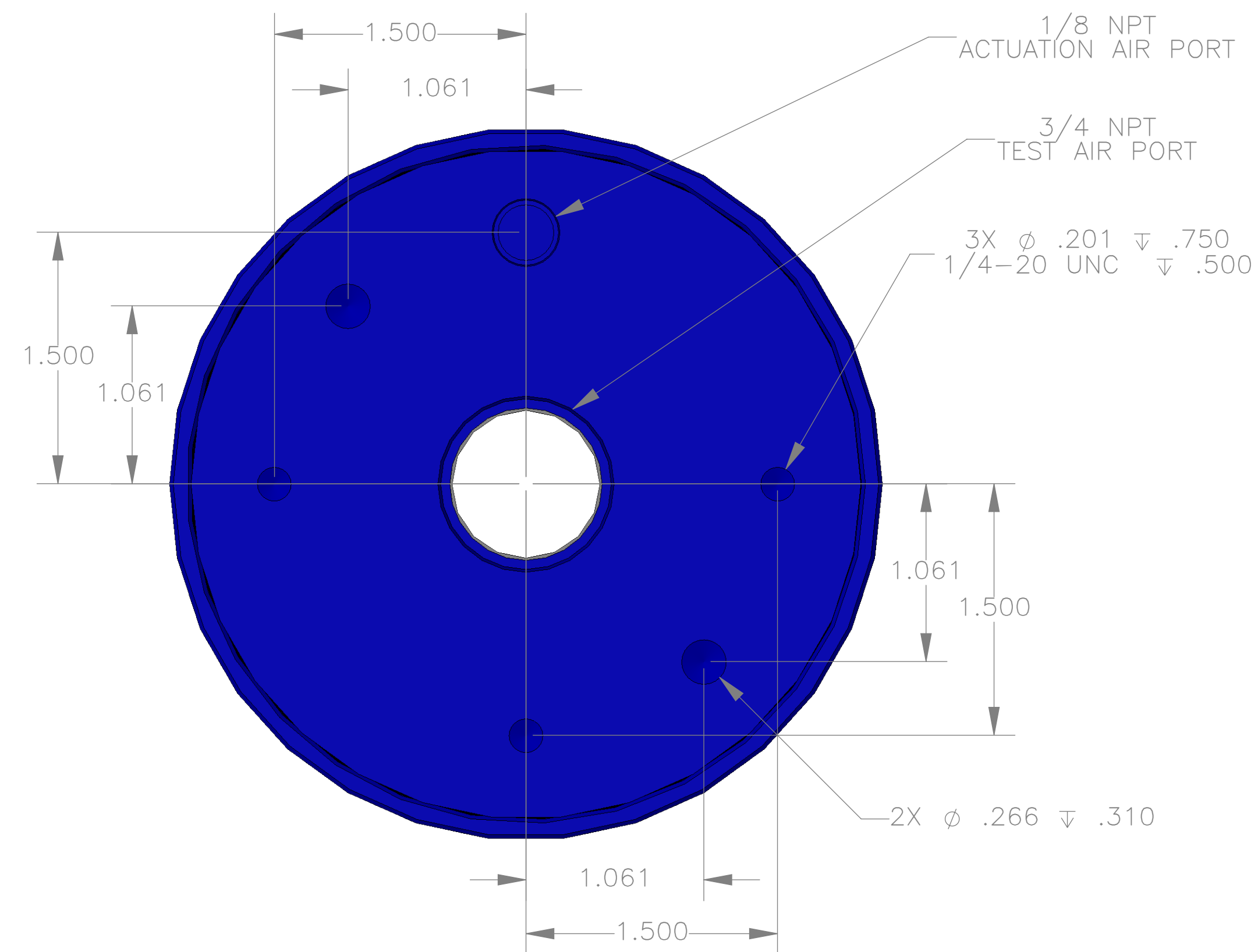
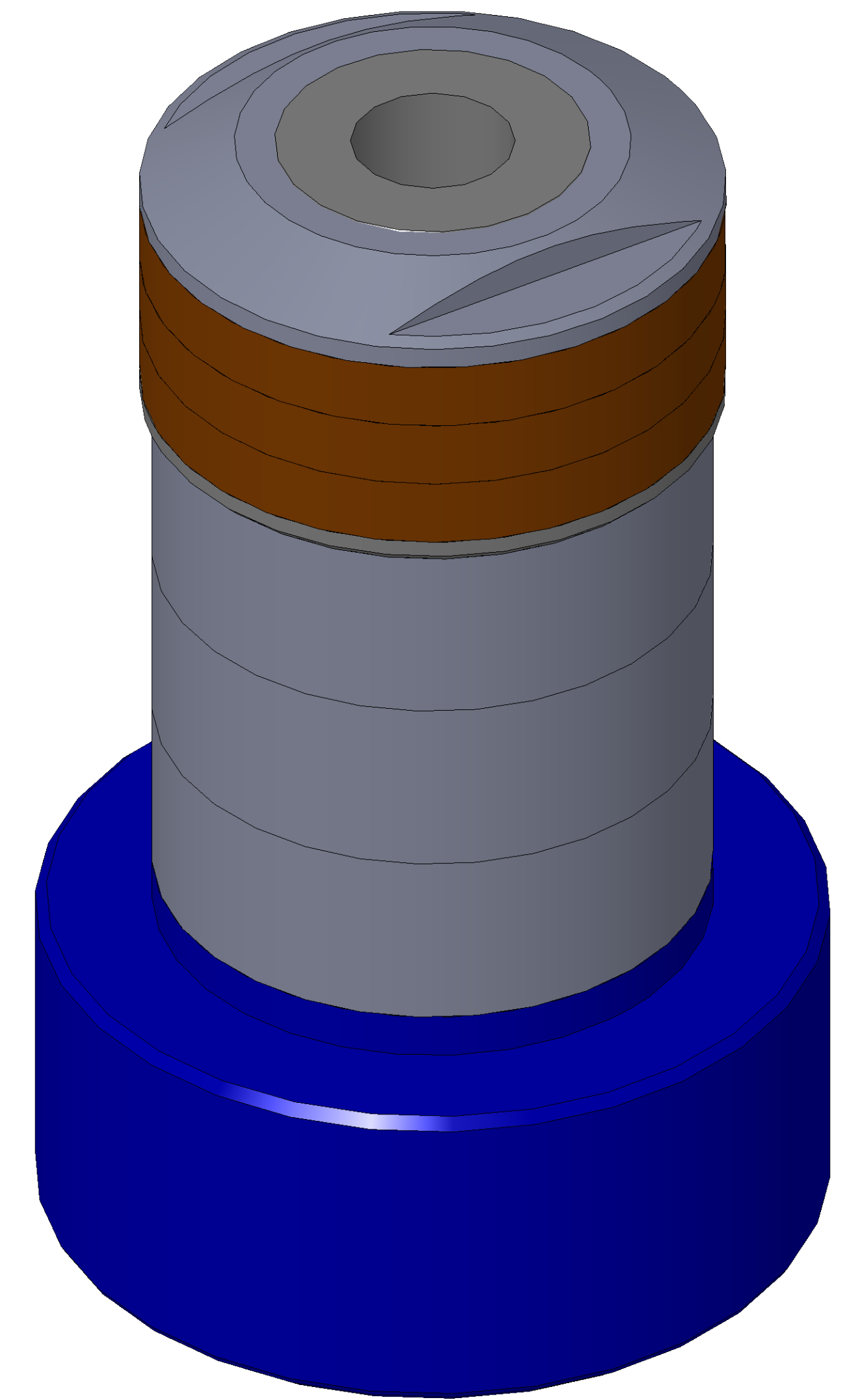


SECTION A-A
SCALE 3 : 2

| ITEM NO. | PART NUMBER | DESCRIPTION | QTY. |
|----------|-------------|----------------------------------|------|
| 10 | MACH-004189 | Body, CTS, CI39 | 1 |
| 20 | MACH-004256 | Cap, CTS, CI39 | 1 |
| 30 | MACH-054235 | Stem, CTS, CI39/40-E3.0 | 1 |
| 40 | MACH-004604 | Spacer, CTS, CI39/40 | 1 |
| 50 | SEAL-005442 | CI39-ORING 226 | 1 |
| 60 | SEAL-005444 | CI37/38-ORING 342 | 1 |
| 70 | MACH-004363 | Nose, CTS, CI39-AB | 1 |
| 80 | SEAL-005005 | Seal, CTS, CI39-AB | 3 |
| 90 | MACH-004478 | Washer, CTS, CI39-AB | 1 |
| 100 | MACH-004605 | Spacer Extension, CTS, CI39-CI40 | 3 |



| REVISIONS | | | |
|-----------|--|------------|----------|
| REV. | DESCRIPTION | DATE | APPROVED |
| A | Initial Release | 03-11-2026 | KM |
| B | Nose material change from brass to 316 stainless steel | 03-12-2026 | KM |



| | | |
|-------------|-------------------------------------|------------|
| SIZE | DESCRIPTION | REV |
| D | Connect Assembly, CTS, CI39-AB-E3.0 | B |
| PART NUMBER | | REV |
| CTSC-002015 | | B |
| DATE | DRAWN BY | CHECKED BY |
| 8/12/05 | KM | KM |
| SHEET | | OF |
| 1 | | 1 |

FILE LOCATION: C:\PDM\PDM\R&D Product Development\CTS Connects\CI\Connect Assembly\Standard\CI39\3in Stem Extension\CTSC-002015