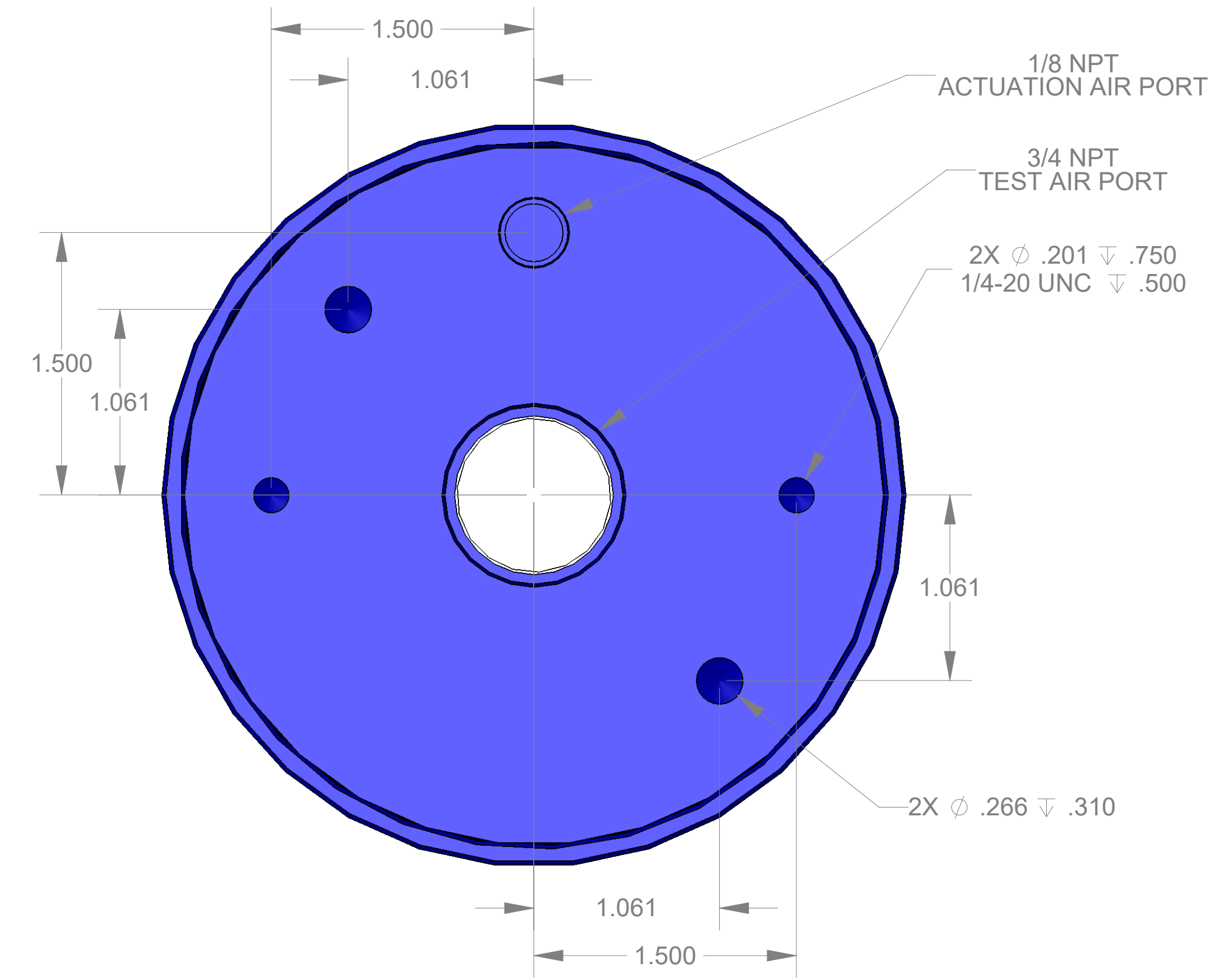
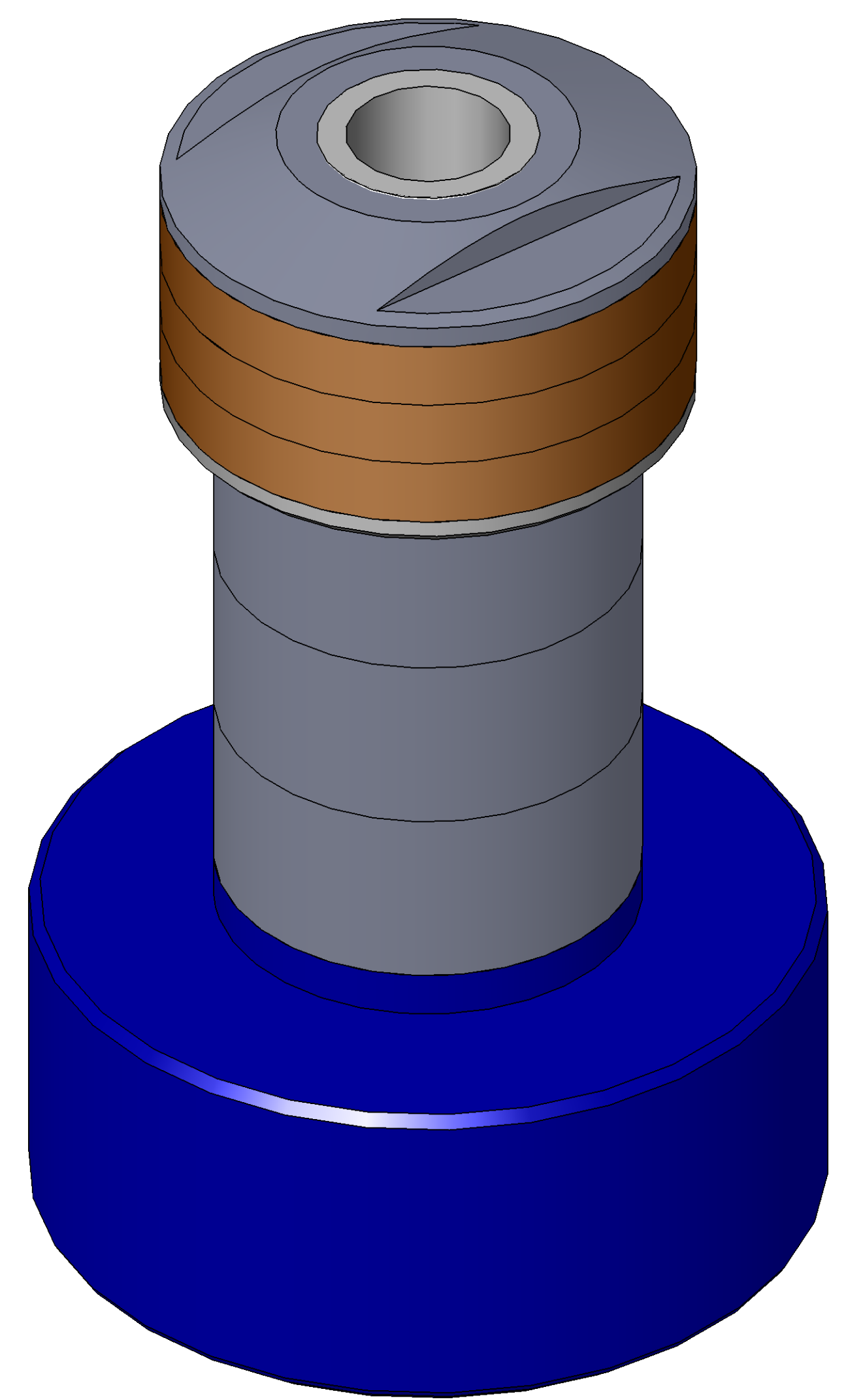


SECTION A-A
SCALE 3 : 2

| ITEM NO. | PART NUMBER | DESCRIPTION | QTY. |
|----------|-------------|----------------------------------|------|
| 10 | MACH-004187 | Body, CTS, CI37/38 | 1 |
| 20 | MACH-004254 | Cap, CTS, CI37/38 | 1 |
| 30 | MACH-004599 | Spacer, CTS, CI37/38 | 1 |
| 40 | SEAL-005440 | CI37/38-ORING 222 | 1 |
| 50 | SEAL-005444 | CI37/38-ORING 342 | 1 |
| 60 | MACH-054230 | Stem, CTS, CI37/38-E3.0 | 1 |
| 70 | MACH-004361 | Nose, CTS, CI38-AC | 1 |
| 80 | SEAL-005000 | Seal, CTS, CI38-AC | 3 |
| 90 | MACH-004476 | Washer, CTS, CI38-AC | 1 |
| 100 | MACH-004600 | Spacer Extension, CTS, CI37-CI38 | 3 |



| REVISIONS | | | |
|-----------|---|------------|----------|
| REV. | DESCRIPTION | DATE | APPROVED |
| A | Initial Release | 03-11-2026 | KM |
| B | Nose material changed from brass to 316 stainless steel | 03-12-2026 | KM |



| | | |
|-------------|-------------------------------------|--|
| SIZE | DESCRIPTION | REV |
| D | Connect Assembly, CTS, CI38-AC-E3.0 | B |
| PART NUMBER | CTSC-001982 | |
| DATE | 8/12/05 | DRAWN BY: KM CHECKED BY: KM SHEET 1 OF 1 |

FILE LOCATION: C:\PDM\PDM\R&D\Product Development\CTS Connects\CI\Connect Assembly\Standard\CI38\3in Stem Extension\CTSC-001982