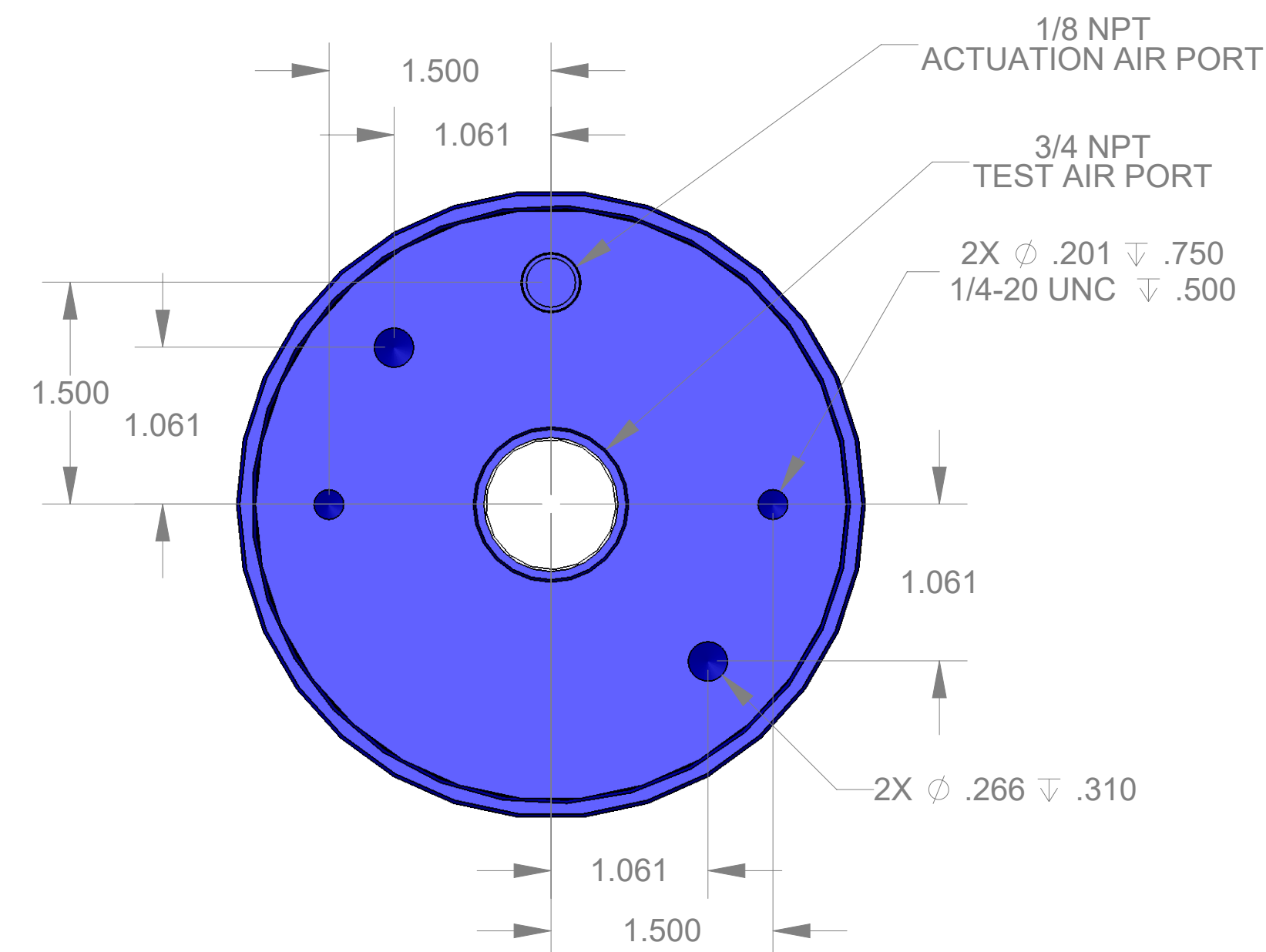
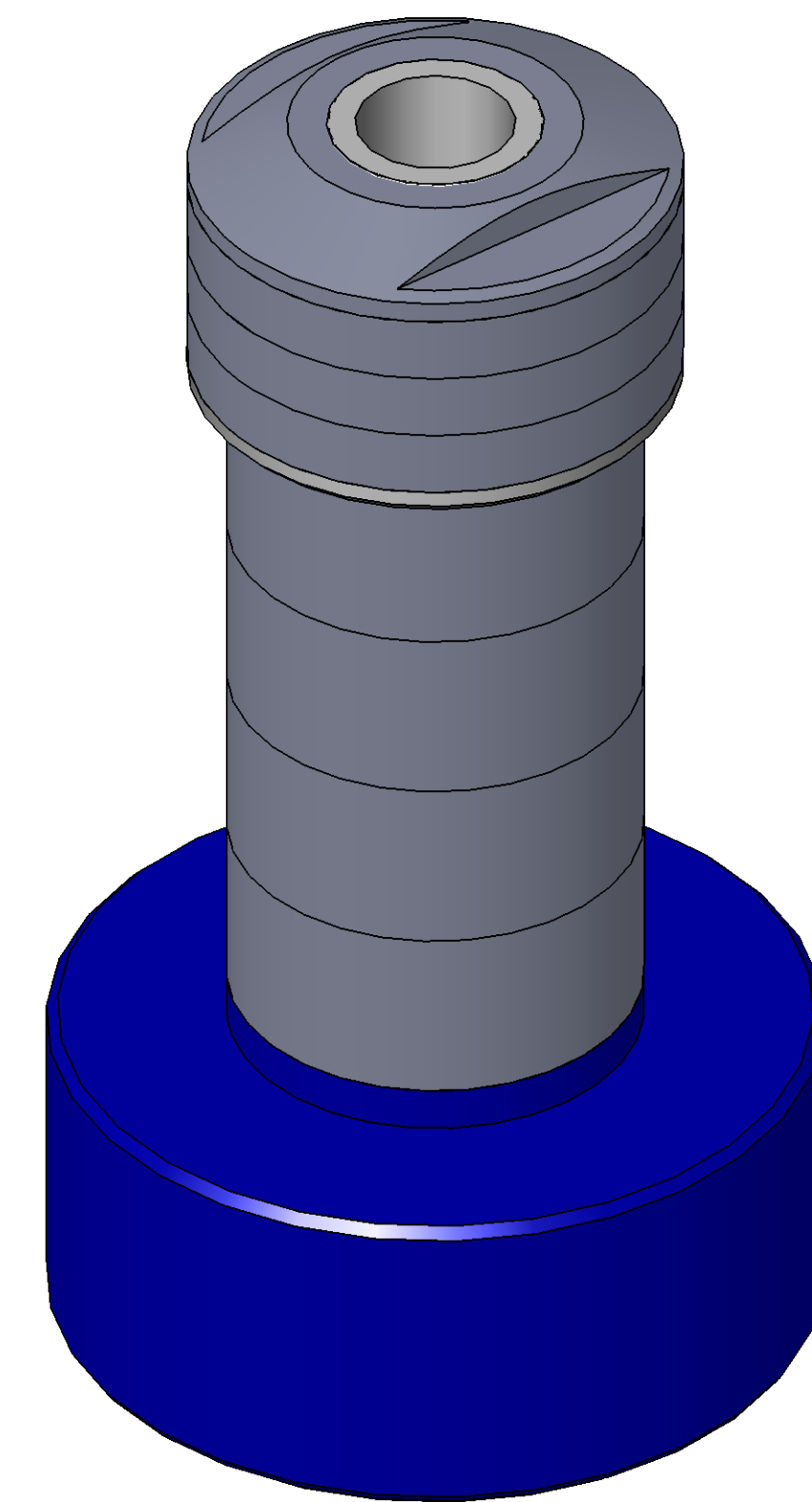


ITEM NO.	PART NUMBER	DESCRIPTION	QTY.
10	MACH-004187	Body, CTS, CI37/38	1
20	MACH-004254	Cap, CTS, CI37/38	1
30	MACH-004599	Spacer, CTS, CI37/38	1
40	SEAL-005440	CI37/38-ORING 222	1
50	SEAL-005444	CI37/38-ORING 342	1
60	MACH-054231	Stem, CTS, CI37/38-E4.0	1
70	MACH-004360	Nose, CTS, CI38-AB	1
80	SEAL-004997	Seal, CTS, CI38-AB-M	3
90	MACH-004475	Washer, CTS, CI38-AB	1
100	MACH-004600	Spacer Extension, CTS, CI37-CI38	4



REVISIONS			
REV.	DESCRIPTION	DATE	APPROVED
A	Initial Release	03-16-2026	KM
B	Changed material of nose and seal	03-17-2026	KM



SIZE	D	DESCRIPTION	Connect Assembly, CTS, CI38-AB-E4.0-M
PART NUMBER	CTSC-001974	REV	B
DATE		DRAWN BY	KM
		CHECKED BY	KM
		SHEET	1 OF 1

FILE LOCATION: C:\PDM\PDM\R&D Product Development\CTS Connects\C\Connect Assembly\Medical\CI38-M\4in Stem Extension\CTSC-001974