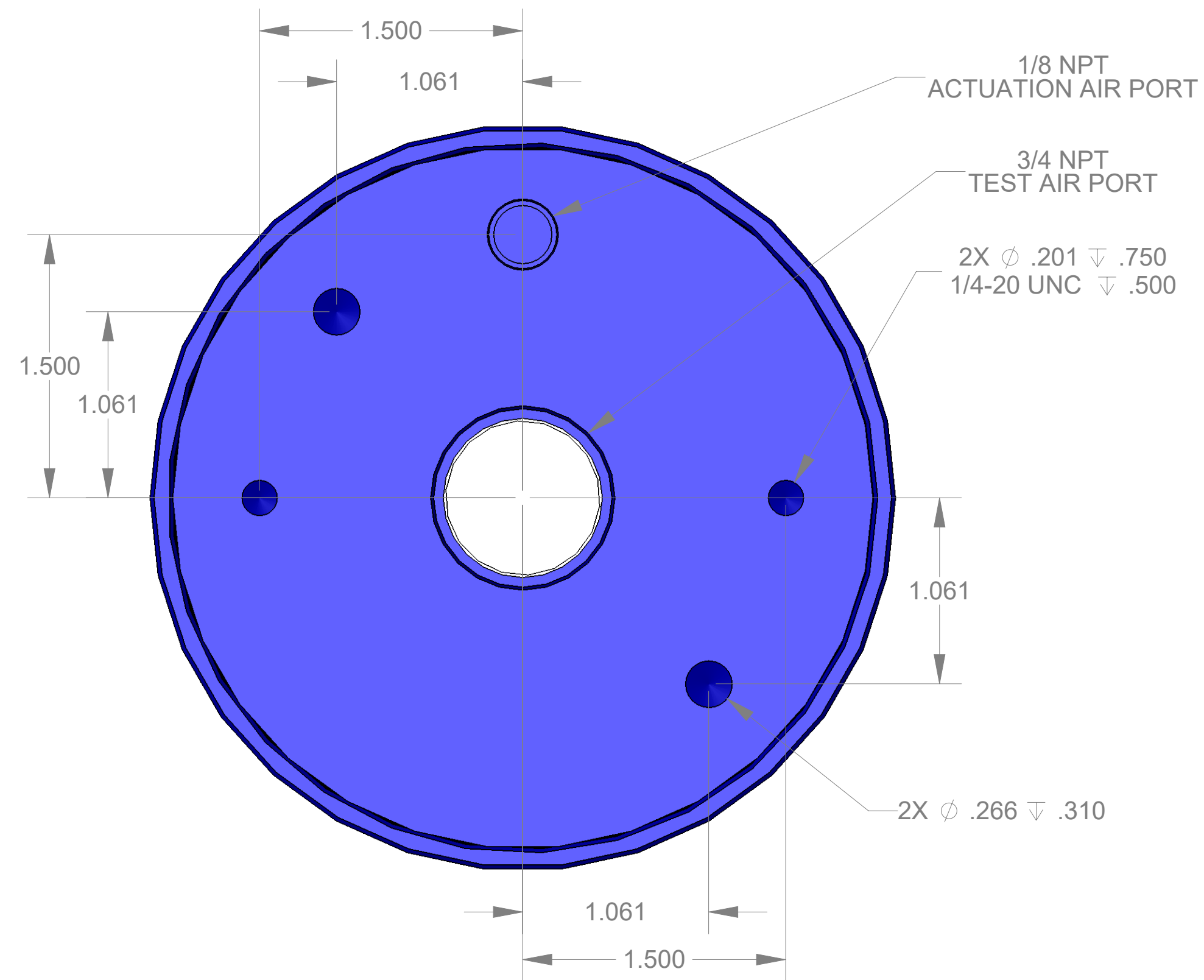
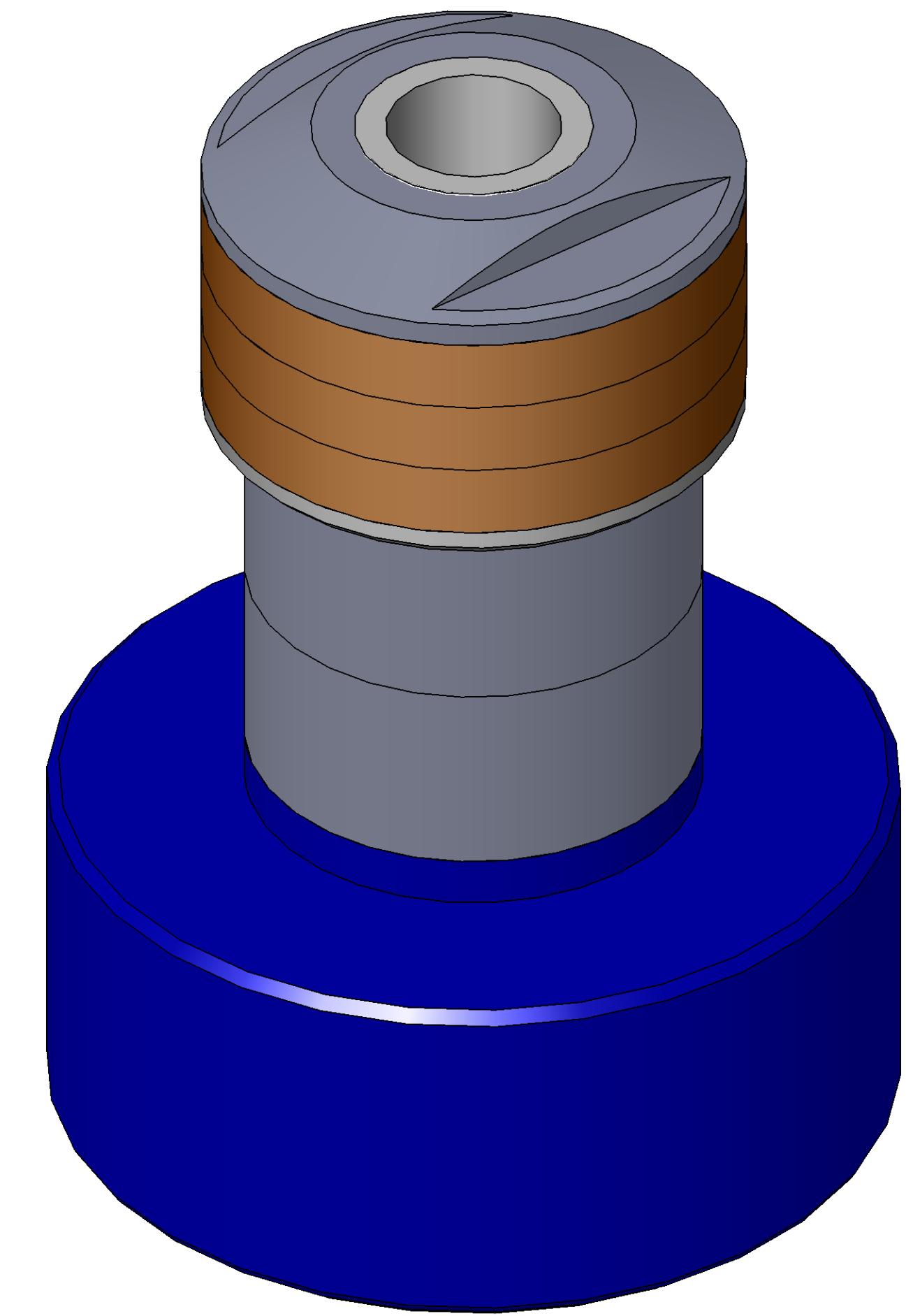


SECTION A-A  
SCALE 3 : 2

ITEM NO.	PART NUMBER	DESCRIPTION	QTY.
10	MACH-004187	Body, CTS, CI37/38	1
20	MACH-004254	Cap, CTS, CI37/38	1
30	MACH-004599	Spacer, CTS, CI37/38	1
40	SEAL-005440	CI37/38-ORING 222	1
50	SEAL-005444	CI37/38-ORING 342	1
60	MACH-054229	Stem, CTS, CI37/38-E2.0	1
70	MACH-004360	Nose, CTS, CI38-AB	1
80	SEAL-004995	Seal, CTS, CI38-AB	3
90	MACH-004475	Washer, CTS, CI38-AB	1
100	MACH-004600	Spacer Extension, CTS, CI37-CI38	2



REVISIONS			
REV.	DESCRIPTION	DATE	APPROVED
A	Initial Release	03-11-2026	KM
B	Nose material changed from brass to 316 stainless steel	03-12-2026	KM



SIZE	DESCRIPTION	REV
D	Connect Assembly, CTS, CI38-AB-E2.0	B
PART NUMBER		REV
CTSC-001967		B
DATE	DRAWN BY	CHECKED BY
8/12/05	KM	KM
SHEET		OF
1		1

FILE LOCATION: C:\PDM\PDM\R&D Product Development\CTS Connects\CI\Connect Assembly\Standard\CI38\2in Stem Extension\CTSC-001967

Thursday, March 12, 2026