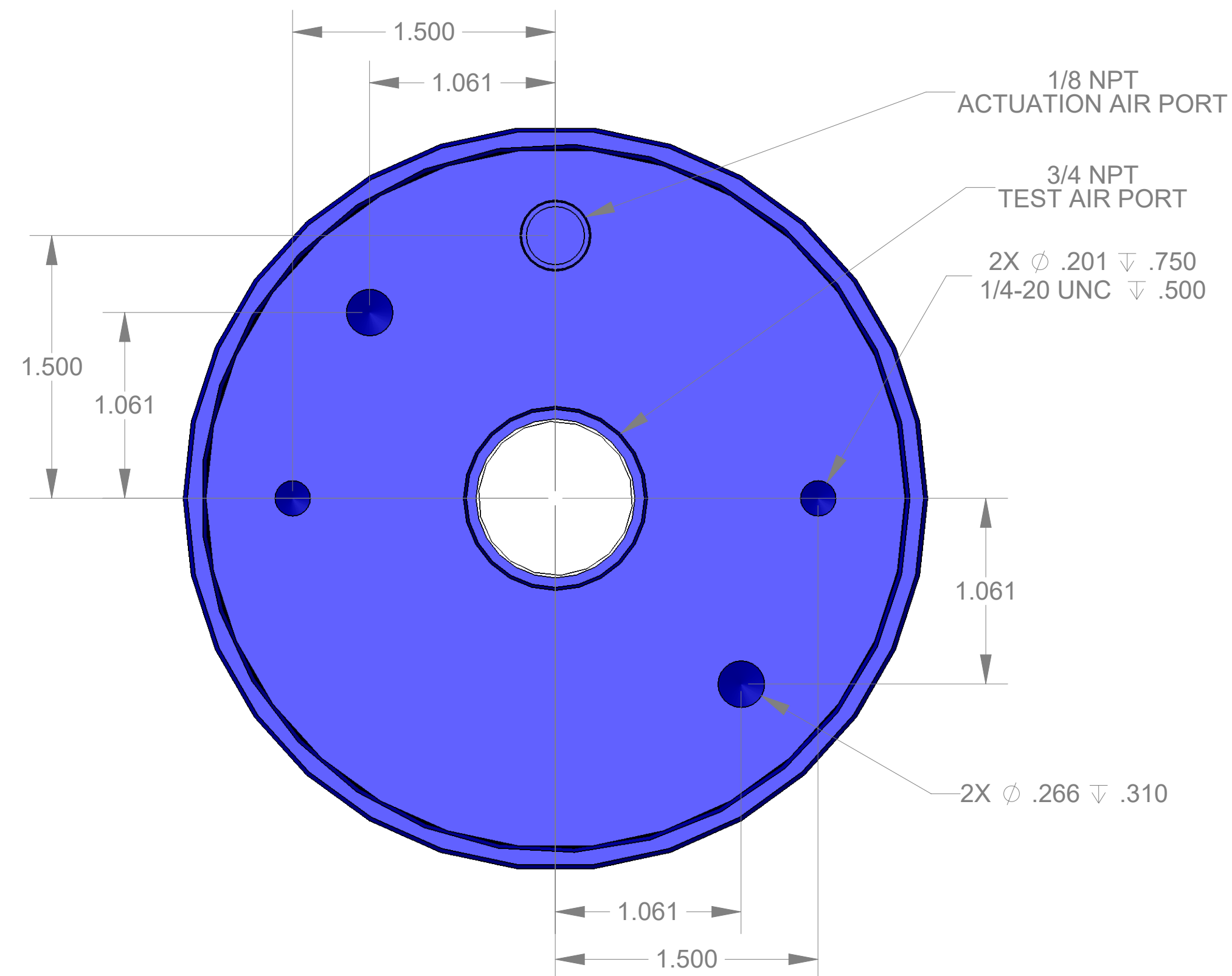
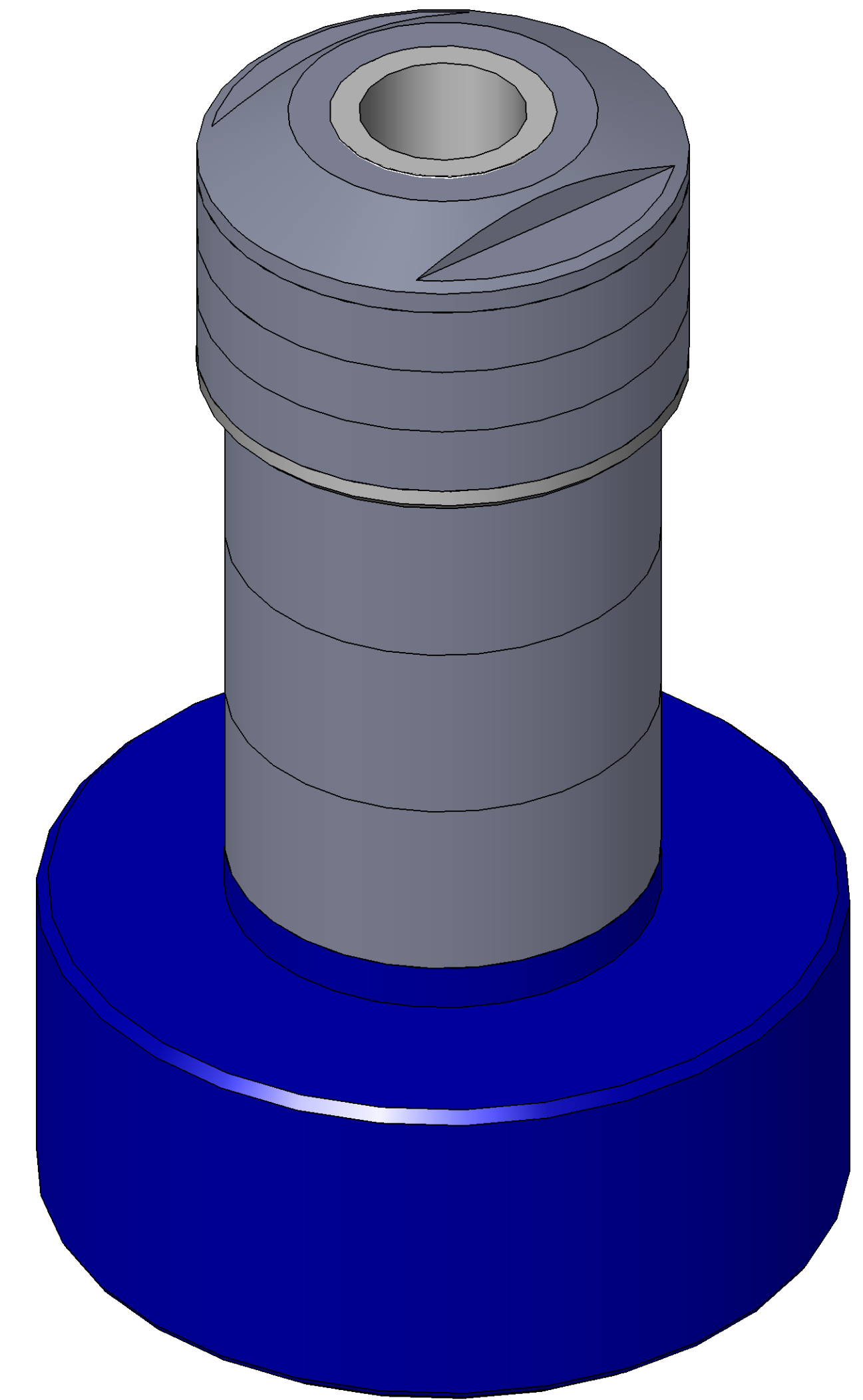


SECTION A-A  
SCALE 3 : 2

ITEM NO.	PART NUMBER	DESCRIPTION	QTY.
10	MACH-004187	Body, CTS, CI37/38	1
20	MACH-004254	Cap, CTS, CI37/38	1
30	MACH-004599	Spacer, CTS, CI37/38	1
40	SEAL-005440	CI37/38-ORING 222	1
50	SEAL-005444	CI37/38-ORING 342	1
60	MACH-054230	Stem, CTS, CI37/38-E3.0	1
70	MACH-004359	Nose, CTS, CI38-AA	1
80	SEAL-004991	Seal, CTS, CI38-AA-M	3
90	MACH-004474	Washer, CTS, CI38-AA	1
100	MACH-004600	Spacer Extension, CTS, CI37-CI38	3



REVISIONS			
REV.	DESCRIPTION	DATE	APPROVED
A	Initial Release	02-02-2026	KM
B	Changed material of nose and seal	03-17-2026	KM



SIZE	D	DESCRIPTION	Connect Assembly, CTS, CI38-AA-E3.0-M
PART NUMBER	CTSC-001959		REV B
DATE	DRAWN BY	KM	CHECKED BY
			KM
			SHEET 1 OF 1