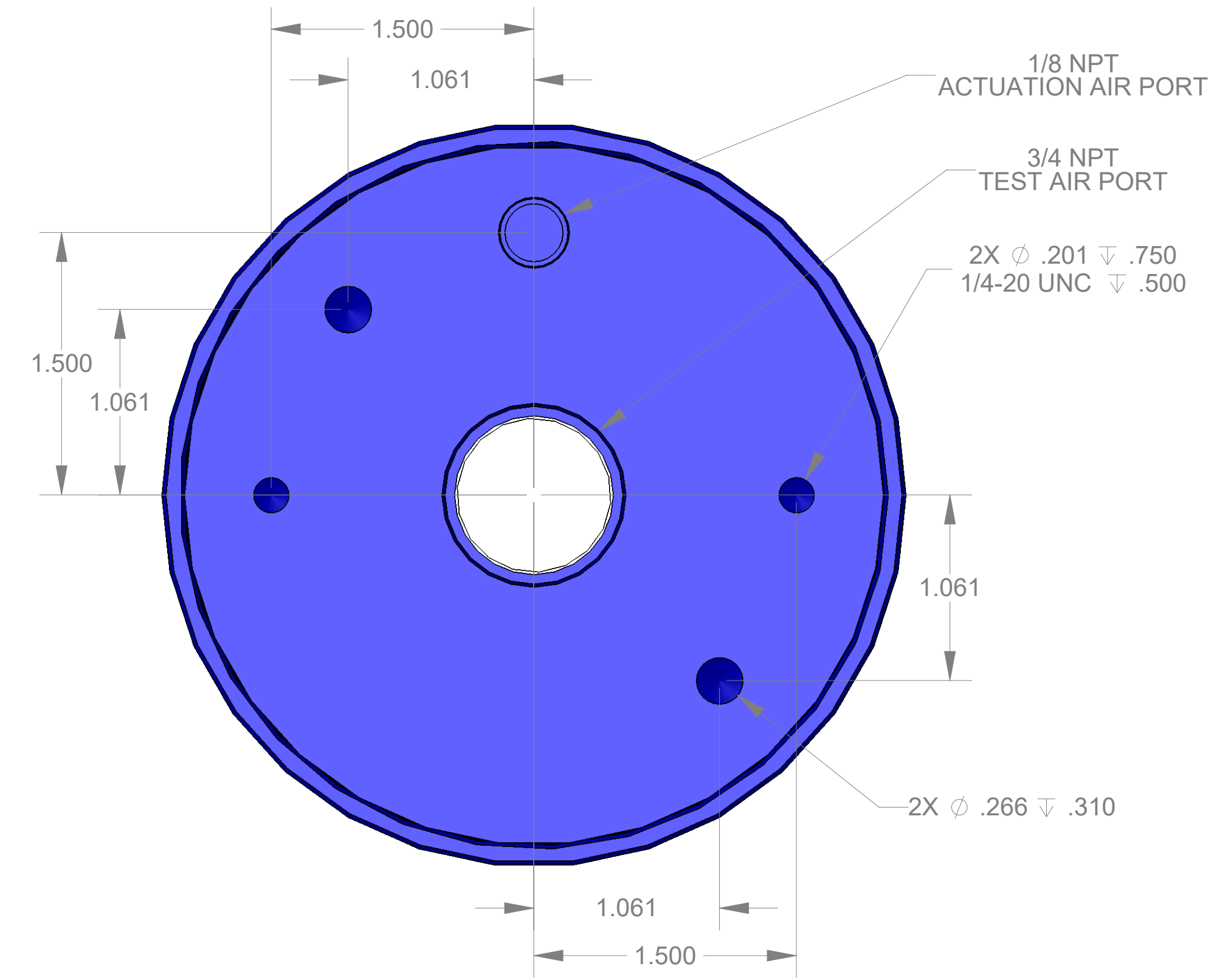
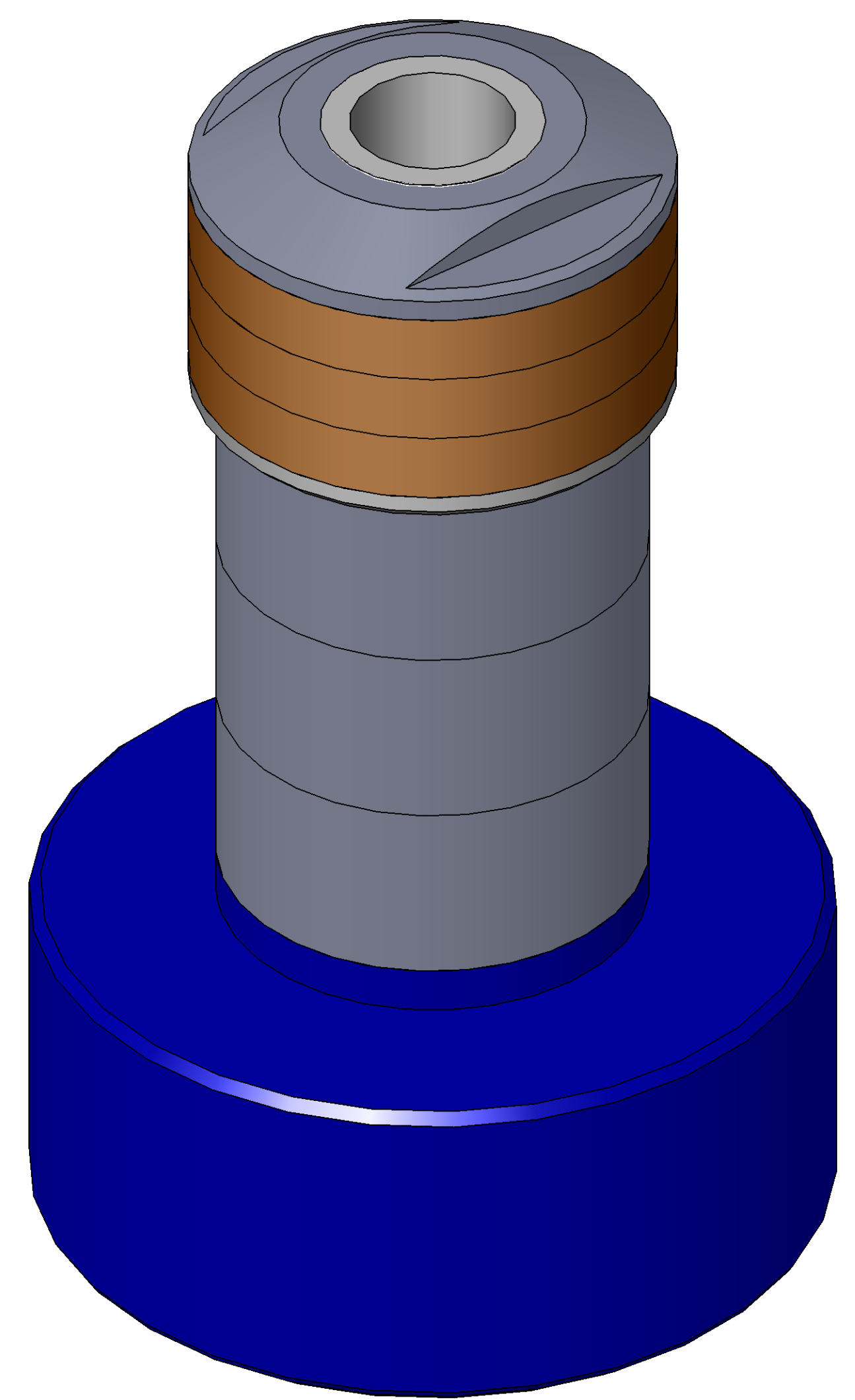


SECTION A-A
SCALE 3 : 2

ITEM NO.	PART NUMBER	DESCRIPTION	QTY.
10	MACH-004187	Body, CTS, CI37/38	1
20	MACH-004254	Cap, CTS, CI37/38	1
30	MACH-004599	Spacer, CTS, CI37/38	1
40	SEAL-005440	CI37/38-ORING 222	1
50	SEAL-005444	CI37/38-ORING 342	1
60	MACH-054230	Stem, CTS, CI37/38-E3.0	1
70	MACH-004359	Nose, CTS, CI38-AA	1
80	SEAL-004989	Seal, CTS, CI38-AA	3
90	MACH-004474	Washer, CTS, CI38-AA	1
100	MACH-004600	Spacer Extension, CTS, CI37-CI38	3



REVISIONS			
REV.	DESCRIPTION	DATE	APPROVED
A	Initial Release	01-23-2026	KM
B	Nose material changed from brass to 316 stainless steel	03-12-2026	KM



SIZE	DESCRIPTION	REV
D	Connect Assembly, CTS, CI38-AA-E3.0	B
PART NUMBER	CTSC-001954	
DATE	8/12/05	DRAWN BY: KM CHECKED BY: KM SHEET 1 OF 1

FILE LOCATION: C:\PDM\PDM\R&D\Product Development\CTS Connects\CI\Connect Assembly\Standard\CI38\3in Stem Extension\CTSC-001954

Thursday, March 12, 2026