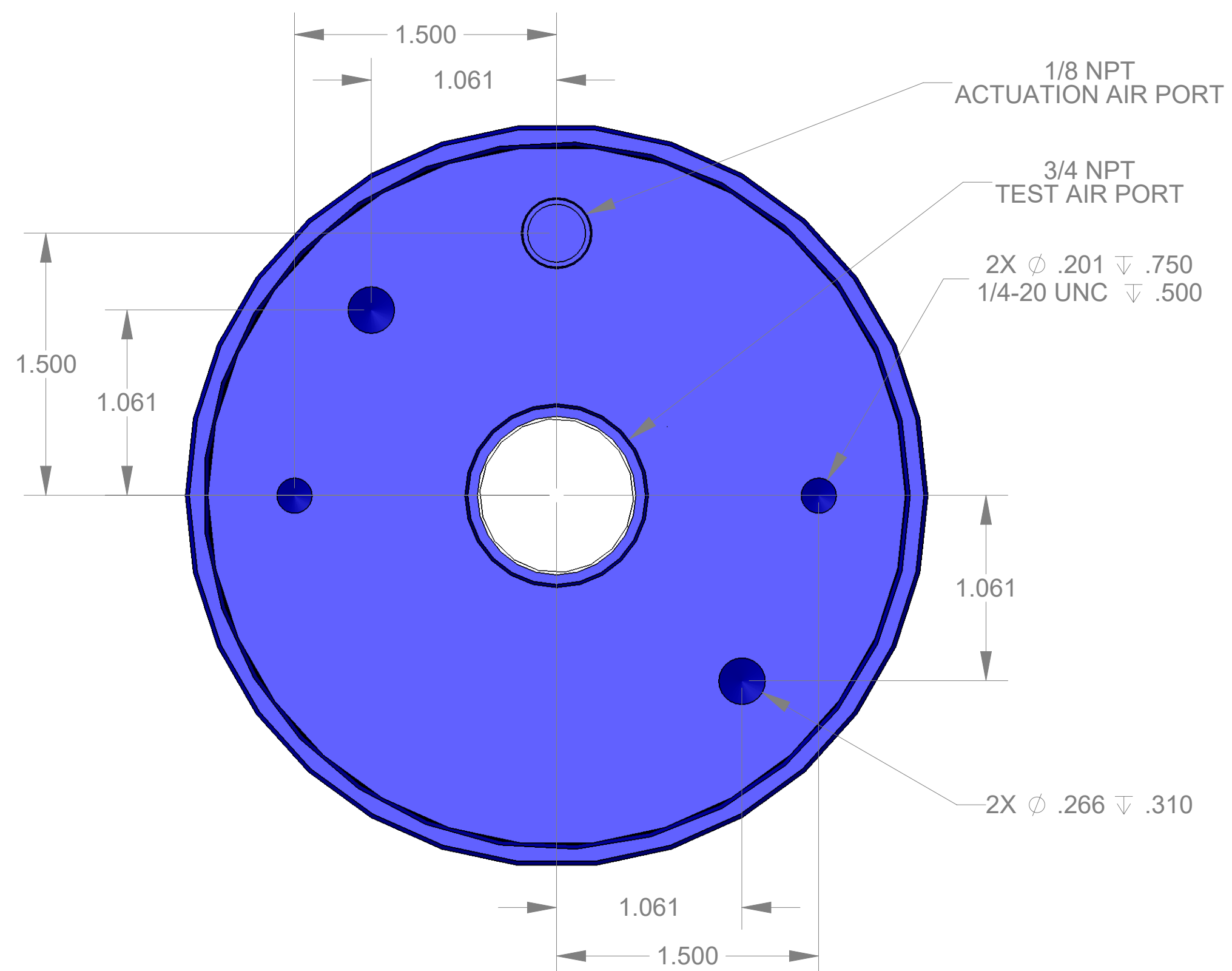
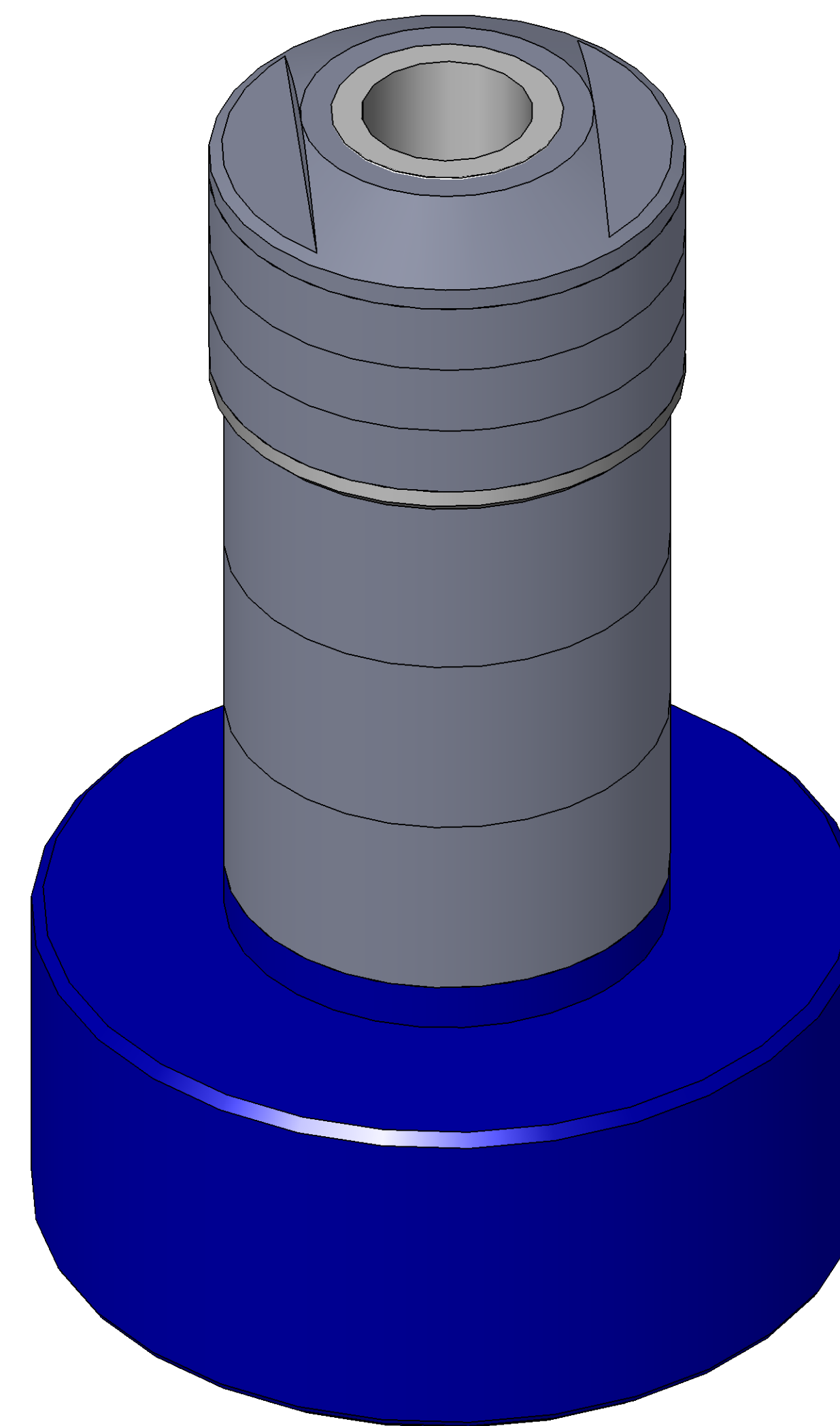


SECTION A-A
SCALE 3 : 2

| ITEM NO. | PART NUMBER | DESCRIPTION | QTY. |
|----------|-------------|----------------------------------|------|
| 10 | MACH-004187 | Body, CTS, CI37/38 | 1 |
| 20 | MACH-004254 | Cap, CTS, CI37/38 | 1 |
| 30 | SEAL-005440 | CI37/38-ORING 222 | 1 |
| 40 | SEAL-005444 | CI37/38-ORING 342 | 1 |
| 50 | MACH-054230 | Stem, CTS, CI37/38-E3.0 | 1 |
| 60 | MACH-004599 | Spacer, CTS, CI37/38 | 1 |
| 70 | MACH-004355 | Nose, CTS, CI37-AD | 1 |
| 80 | SEAL-004977 | Seal, CTS, CI37-AD-M | 3 |
| 90 | MACH-004470 | Washer, CTS, CI37-AD | 1 |
| 100 | MACH-004600 | Spacer Extension, CTS, CI37-CI38 | 3 |



| REVISIONS | | | |
|-----------|-----------------------------------|------------|----------|
| REV. | DESCRIPTION | DATE | APPROVED |
| A | Initial Release | 03-16-2026 | KM |
| B | Changed material of nose and seal | 03-17-2026 | KM |



| | | |
|-------------|---------------------------------------|----------------|
| SIZE | DESCRIPTION | REV |
| D | Connect Assembly, CTS, CI37-AD-E3.0-M | B |
| PART NUMBER | CTSC-001940 | |
| DATE | DRAWN BY: KM | CHECKED BY: KM |
| | SHEET 1 OF 1 | |