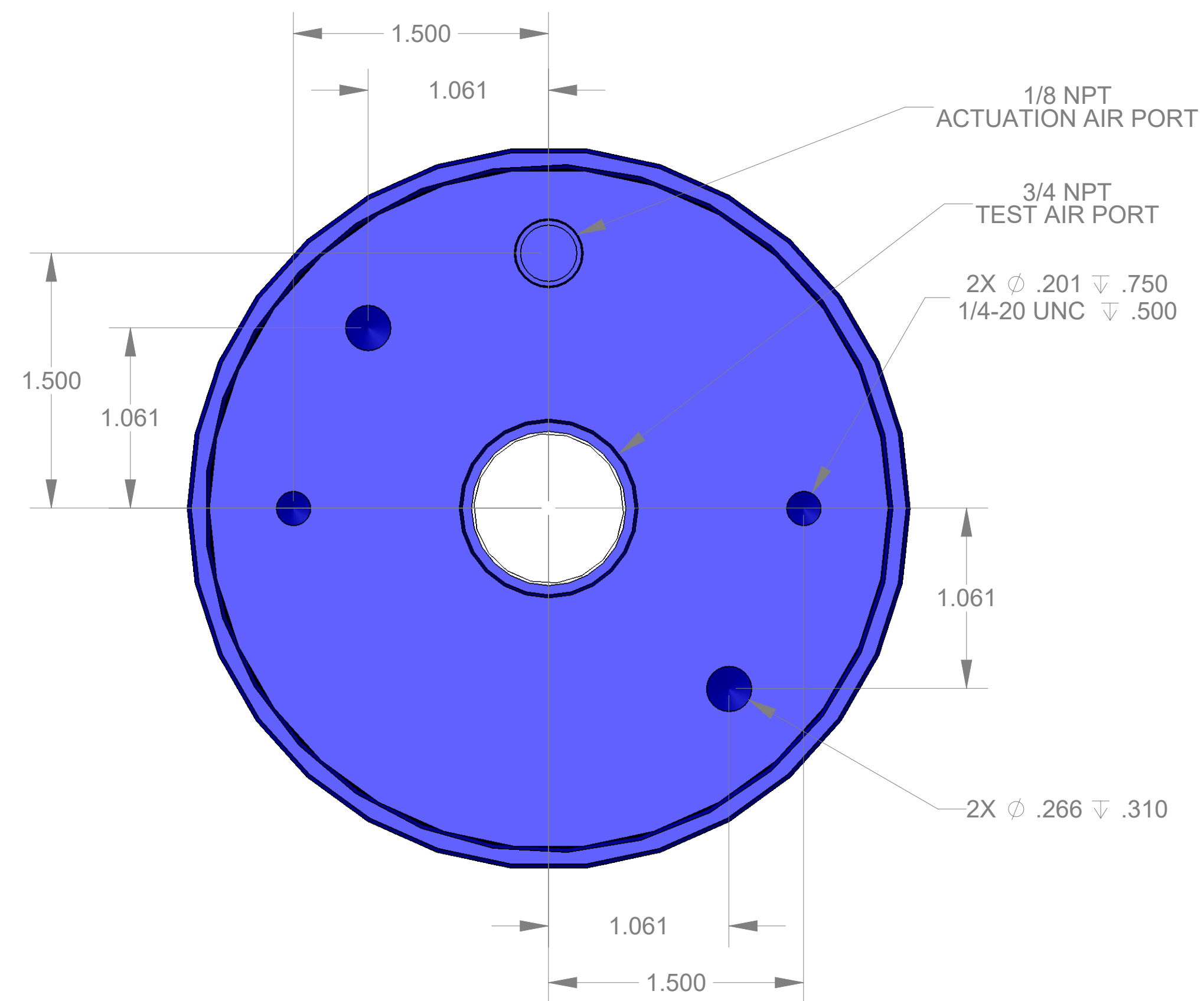
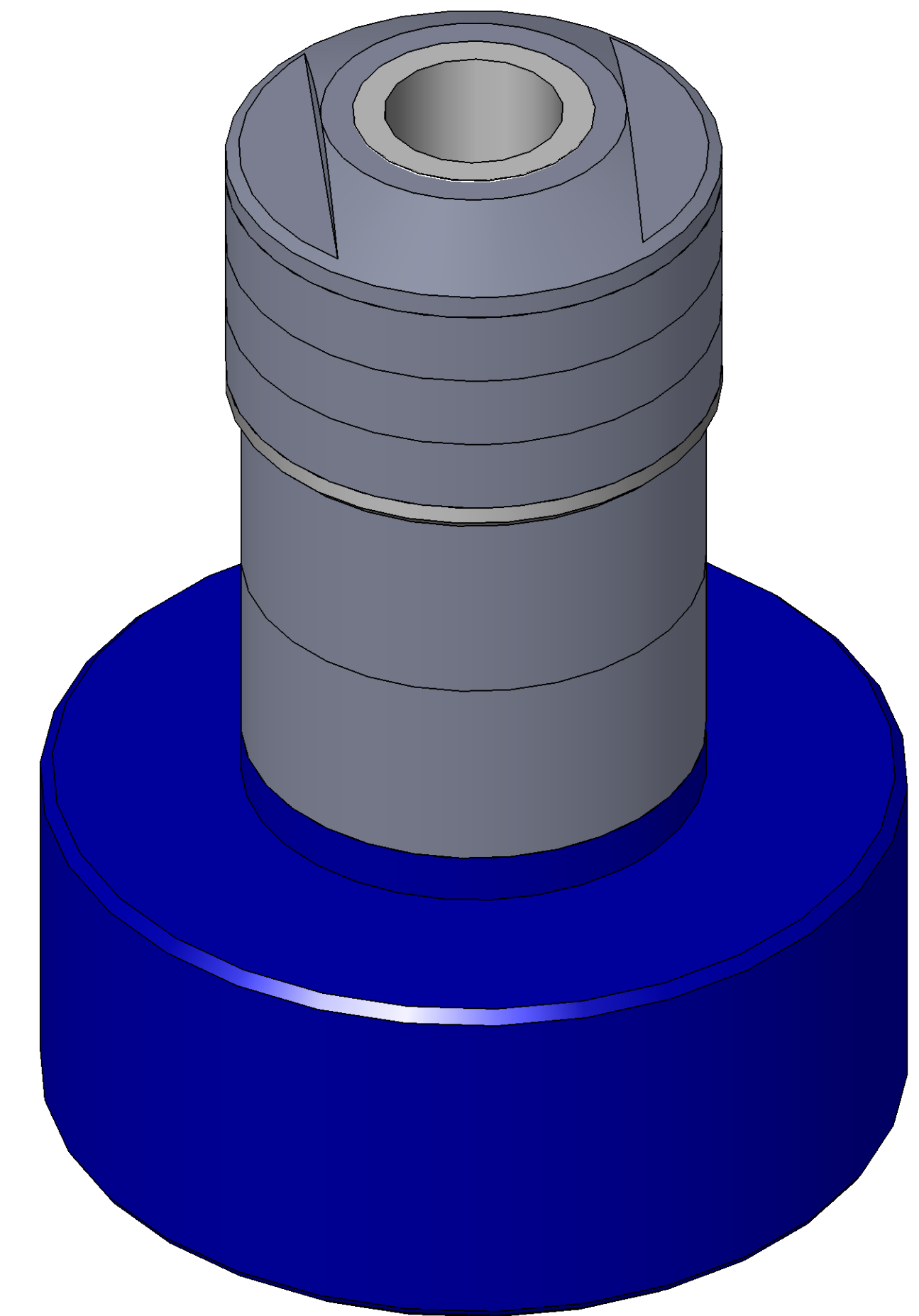


SECTION A-A
SCALE 3 : 2

ITEM NO.	PART NUMBER	DESCRIPTION	QTY.
10	MACH-004187	Body, CTS, CI37/38	1
20	MACH-004254	Cap, CTS, CI37/38	1
30	SEAL-005440	CI37/38-ORING 222	1
40	SEAL-005444	CI37/38-ORING 342	1
50	MACH-054229	Stem, CTS, CI37/38-E2.0	1
60	MACH-004599	Spacer, CTS, CI37/38	1
70	MACH-004355	Nose, CTS, CI37-AD	1
80	SEAL-004977	Seal, CTS, CI37-AD-M	3
90	MACH-004470	Washer, CTS, CI37-AD	1
100	MACH-004600	Spacer Extension, CTS, CI37-CI38	2



REVISIONS			
REV.	DESCRIPTION	DATE	APPROVED
A	Initial Release	03-16-2026	KM
B	Changed material of nose and seal	03-17-2026	KM



10100 PROGRESS WAY HARRISON, OH 45030

SIZE	DESCRIPTION	REV
D	Connect Assembly, CTS, CI37-AD-E2.0-M	B
PART NUMBER	CTSC-001939	
DATE	DRAWN BY: KM	CHECKED BY: KM
	SHEET 1	OF 1