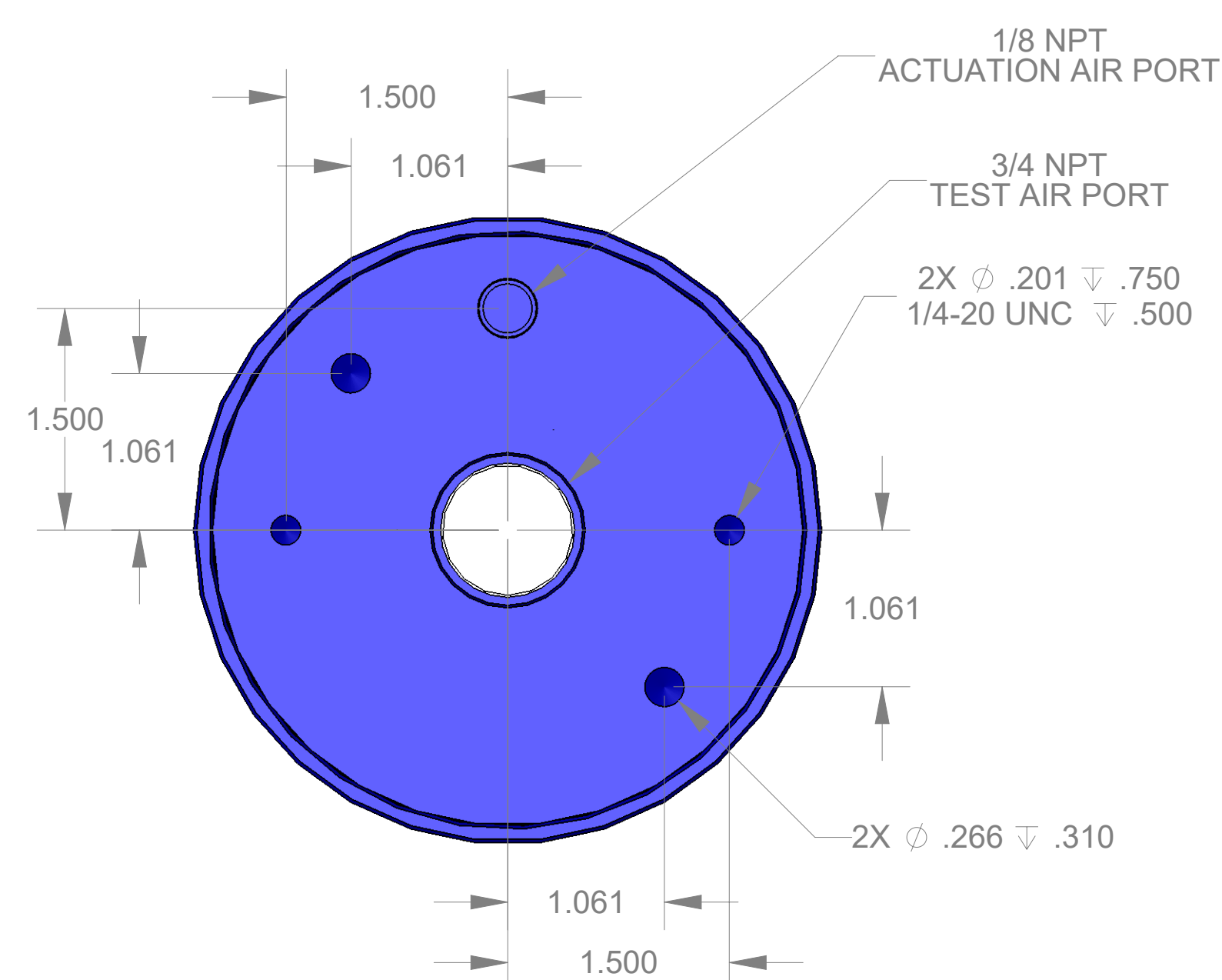
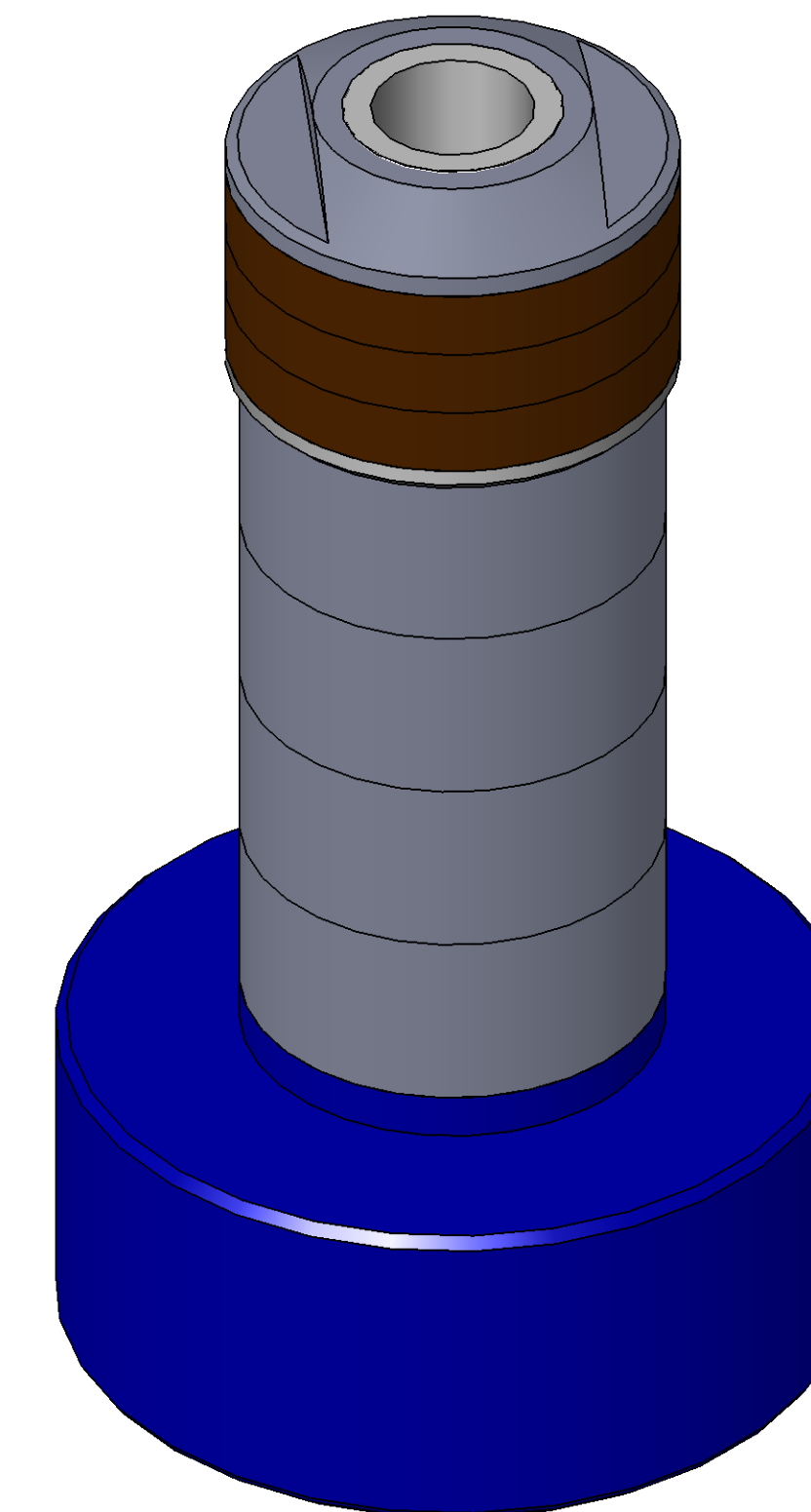
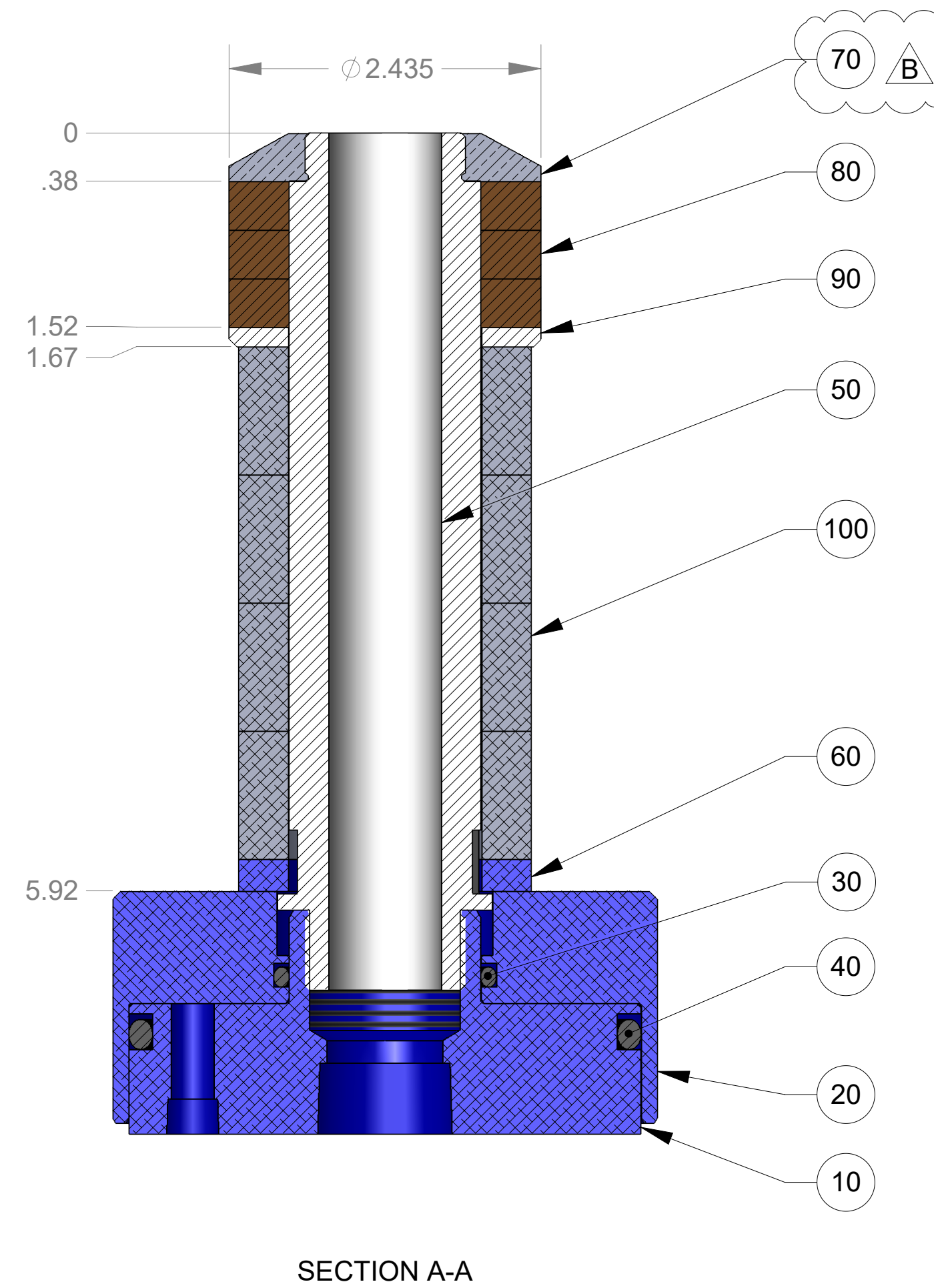
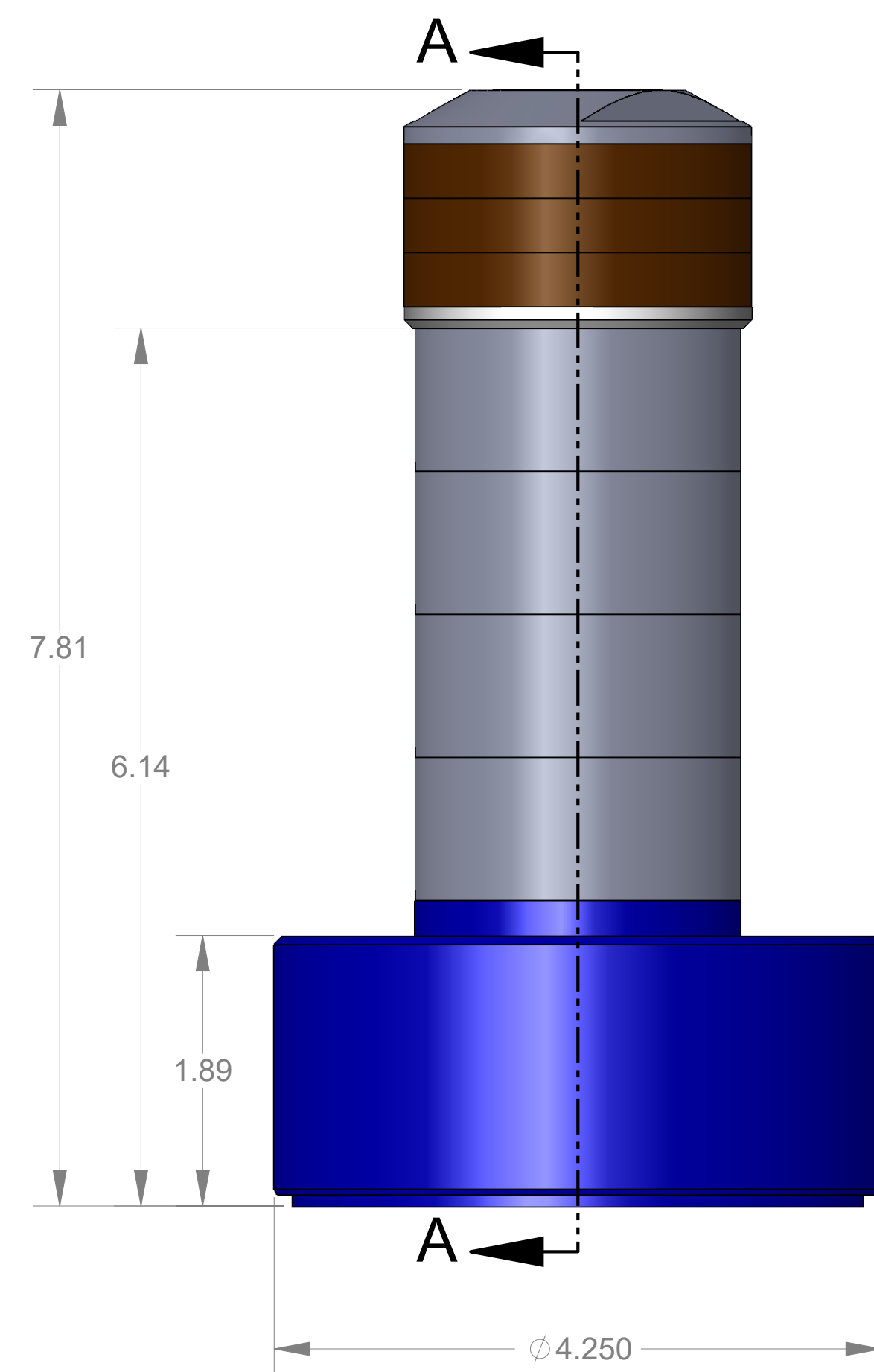


ITEM NO.	PART NUMBER	DESCRIPTION	QTY.
10	MACH-004187	Body, CTS, CI37/38	1
20	MACH-004254	Cap, CTS, CI37/38	1
30	SEAL-005440	CI37/38-ORING 222	1
40	SEAL-005444	CI37/38-ORING 342	1
50	MACH-054231	Stem, CTS, CI37/38-E4.0	1
60	MACH-004599	Spacer, CTS, CI37/38	1
70	MACH-004355	Nose, CTS, CI37-AD	1
80	SEAL-004974	Seal, CTS, CI37-AD	3
90	MACH-004470	Washer, CTS, CI37-AD	1
100	MACH-004600	Spacer Extension, CTS, CI37-CI38	4



REVISIONS			
REV.	DESCRIPTION	DATE	APPROVED
A	Initial Release	03-11-2026	KM
B	Nose material changed from brass to 316 stainless steel	03-12-2026	KM



SIZE	DESCRIPTION	REV
D	Connect Assembly, CTS, CI37-AD-E4.0	B
PART NUMBER	CTSC-001936	
DATE	8/12/05	DRAWN BY: KM CHECKED BY: KM SHEET 1 OF 1