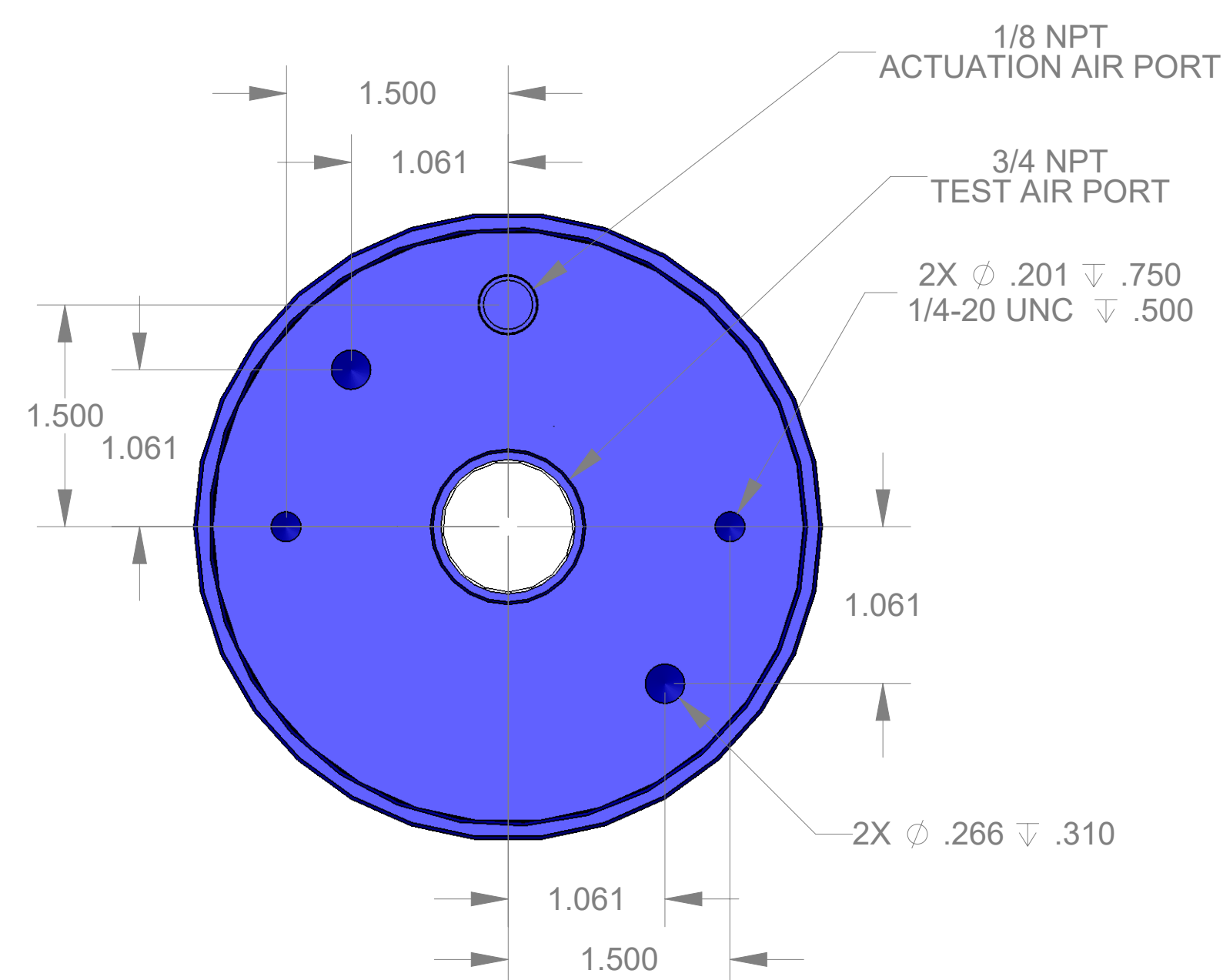
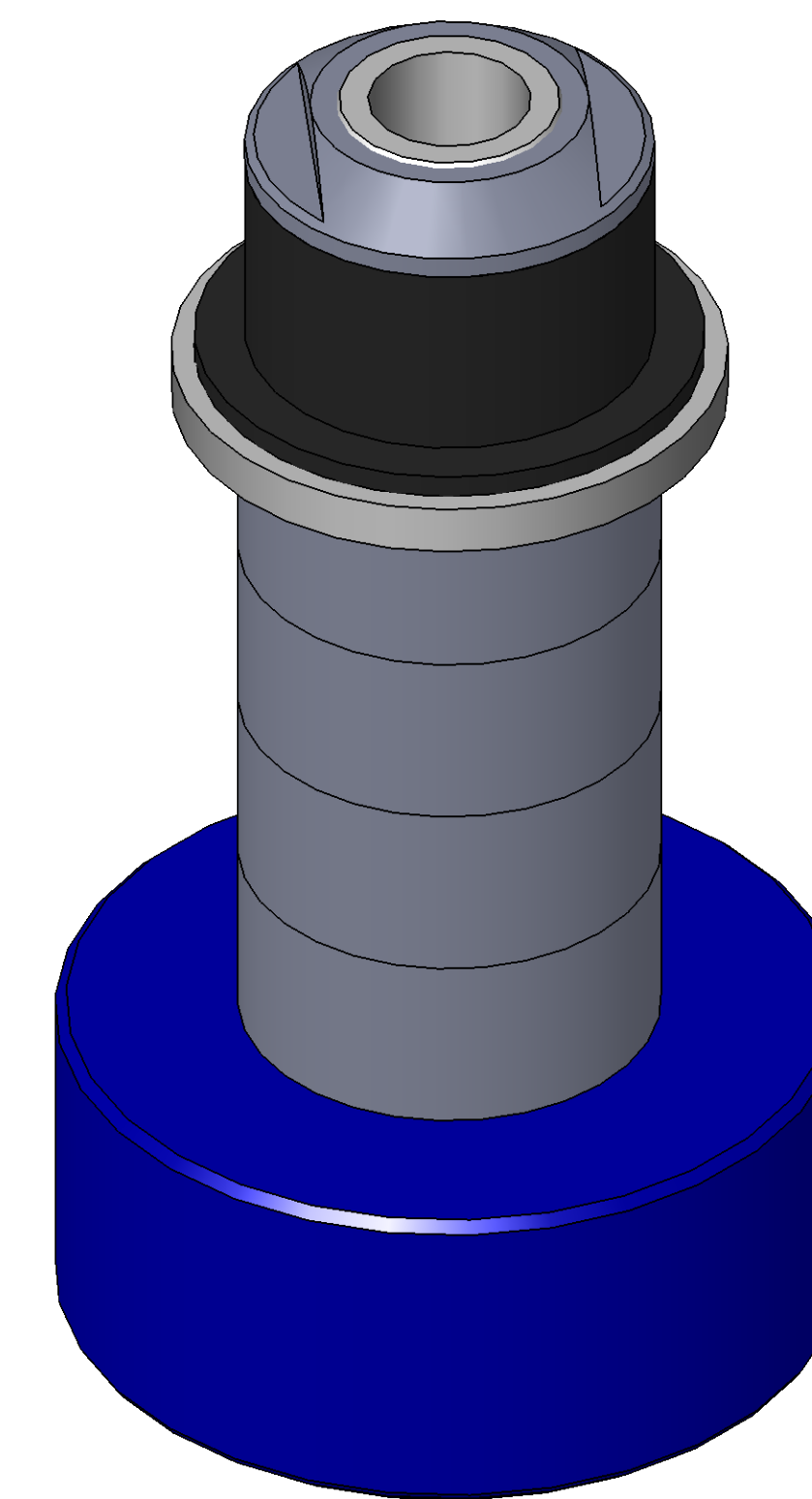
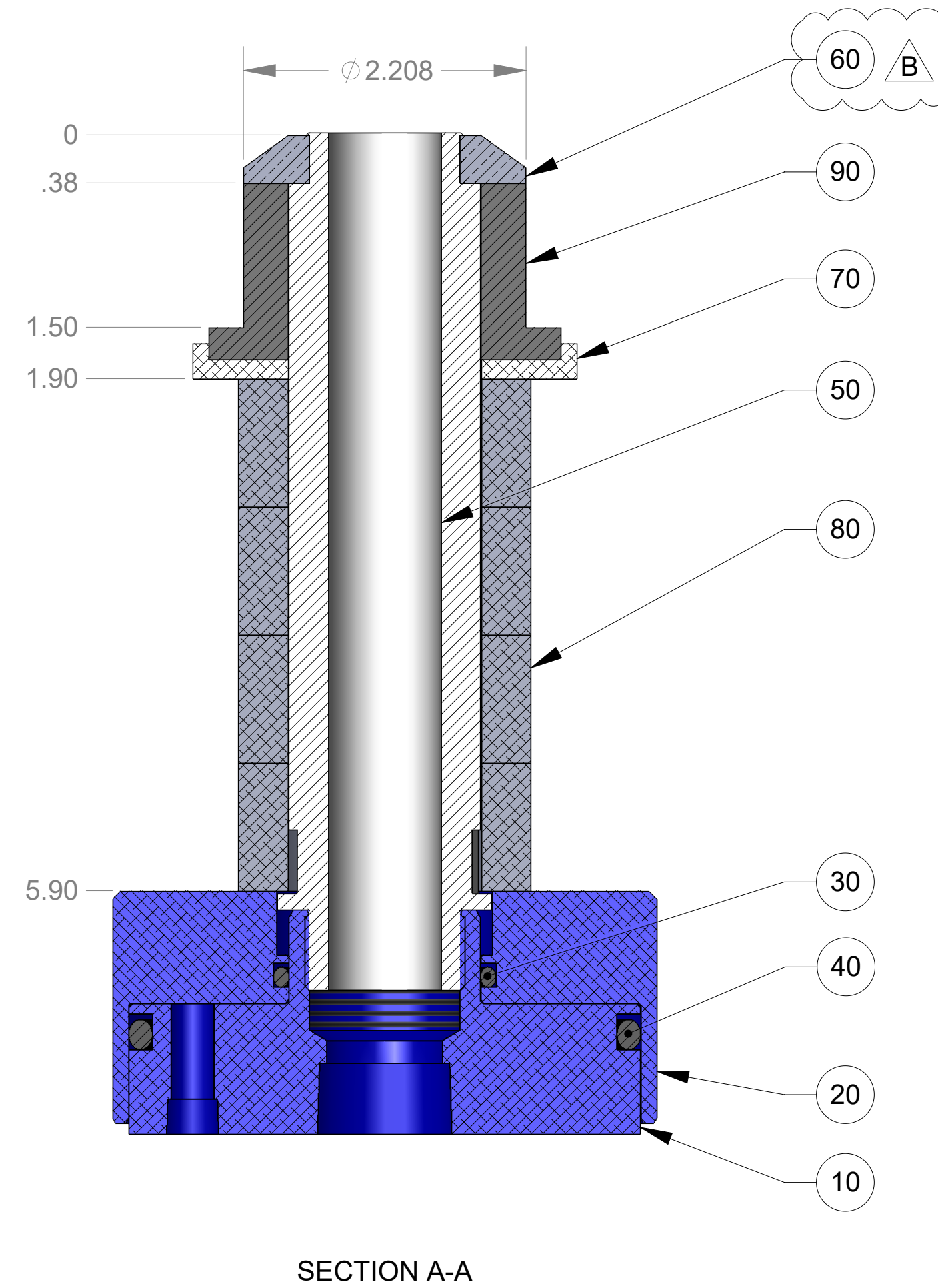
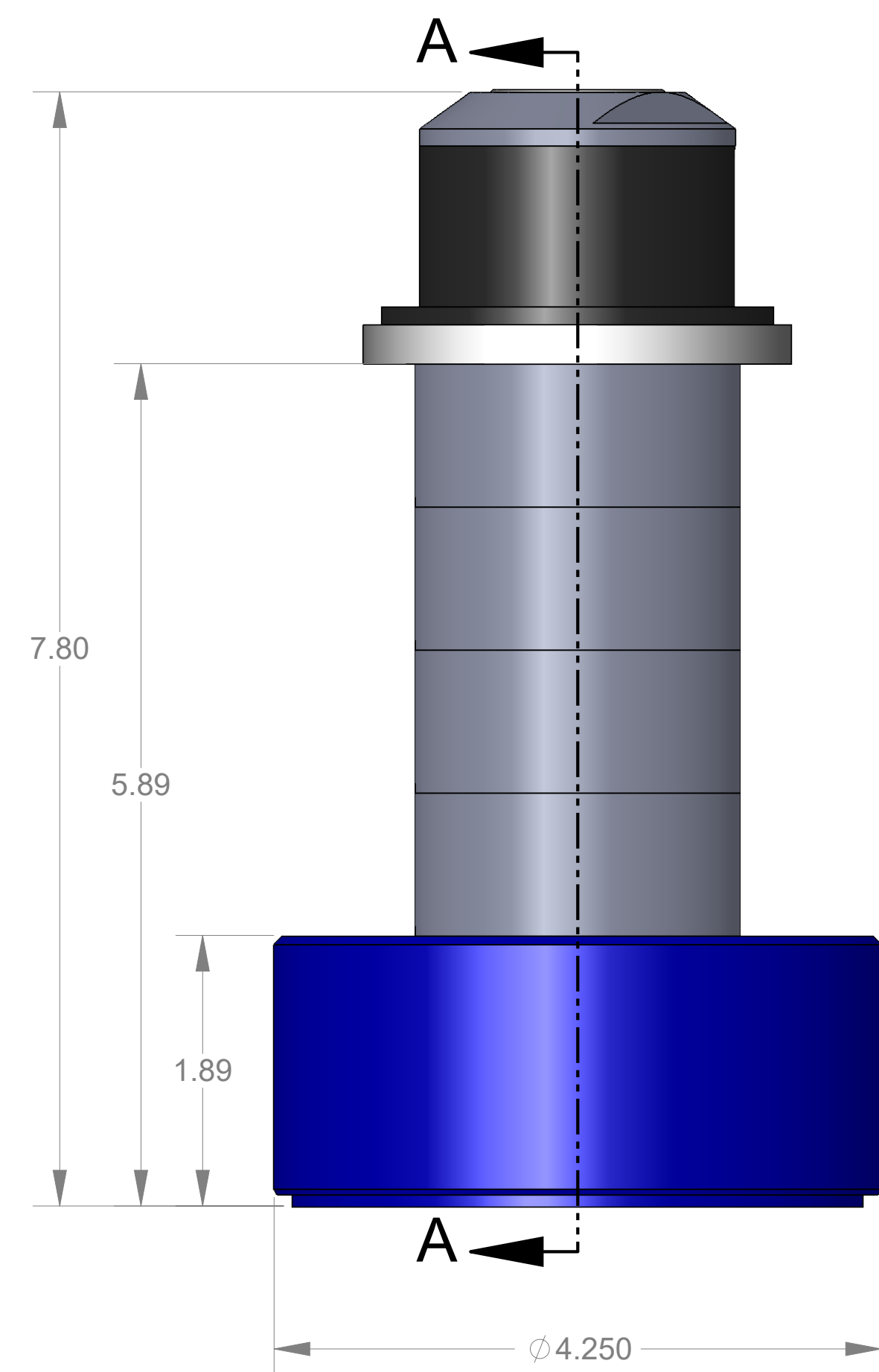


ITEM NO.	PART NUMBER	DESCRIPTION	QTY.
10	MACH-004187	Body, CTS, CI37/38	1
20	MACH-004254	Cap, CTS, CI37/38	1
30	SEAL-005440	CI37/38-ORING 222	1
40	SEAL-005444	CI37/38-ORING 342	1
50	MACH-054231	Stem, CTS, CI37/38-E4.0	1
60	MACH-004353	Nose, CTS, CI37-AB	1
70	MACH-004243	Seal Holder, CTS, CI37-AB	1
80	MACH-004600	Spacer Extension, CTS, CI37-CI38	4
90	SEAL-004979	Seal, CTS, CI37-NPT-2000	1



REVISIONS			
REV.	DESCRIPTION	DATE	APPROVED
A	Initial Release	03-11-2026	KM
B	Nose material changed from brass to 316 stainless steel	04-06-2026	KM



SIZE	D	DESCRIPTION	Connect Assembly, CTS, CI37-AB-E4.0
PART NUMBER	CTSC-001908	REV	B
DATE	8/12/05	DRAWN BY	KM
		CHECKED BY	KM
		SHEET	1 OF 1

FILE LOCATION: C:\PDM\PDM\R&D Product Development\CTS Connects\CI\Connect Assembly\Standard\CI37\4in Stem Extension\CTSC-001908