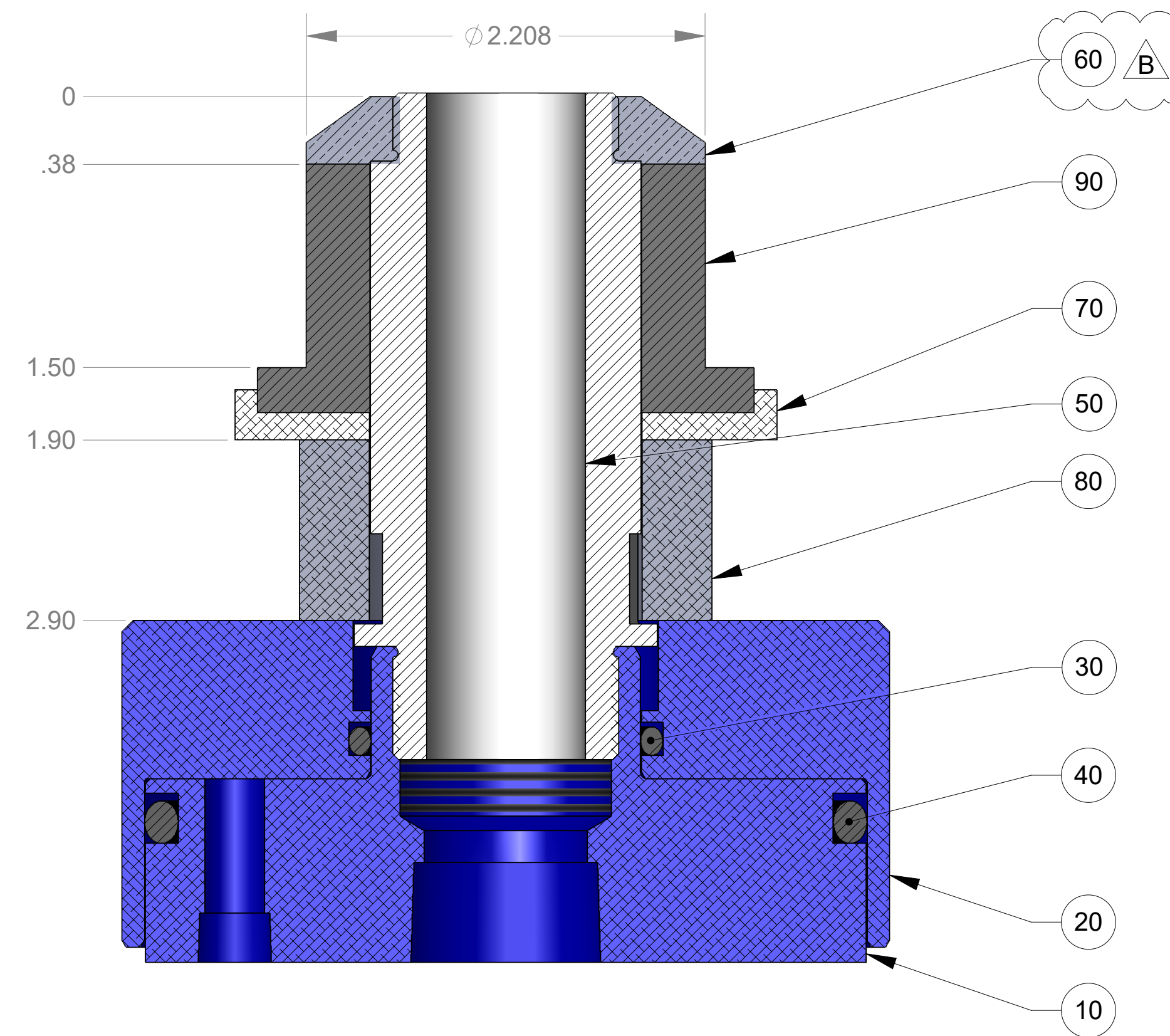
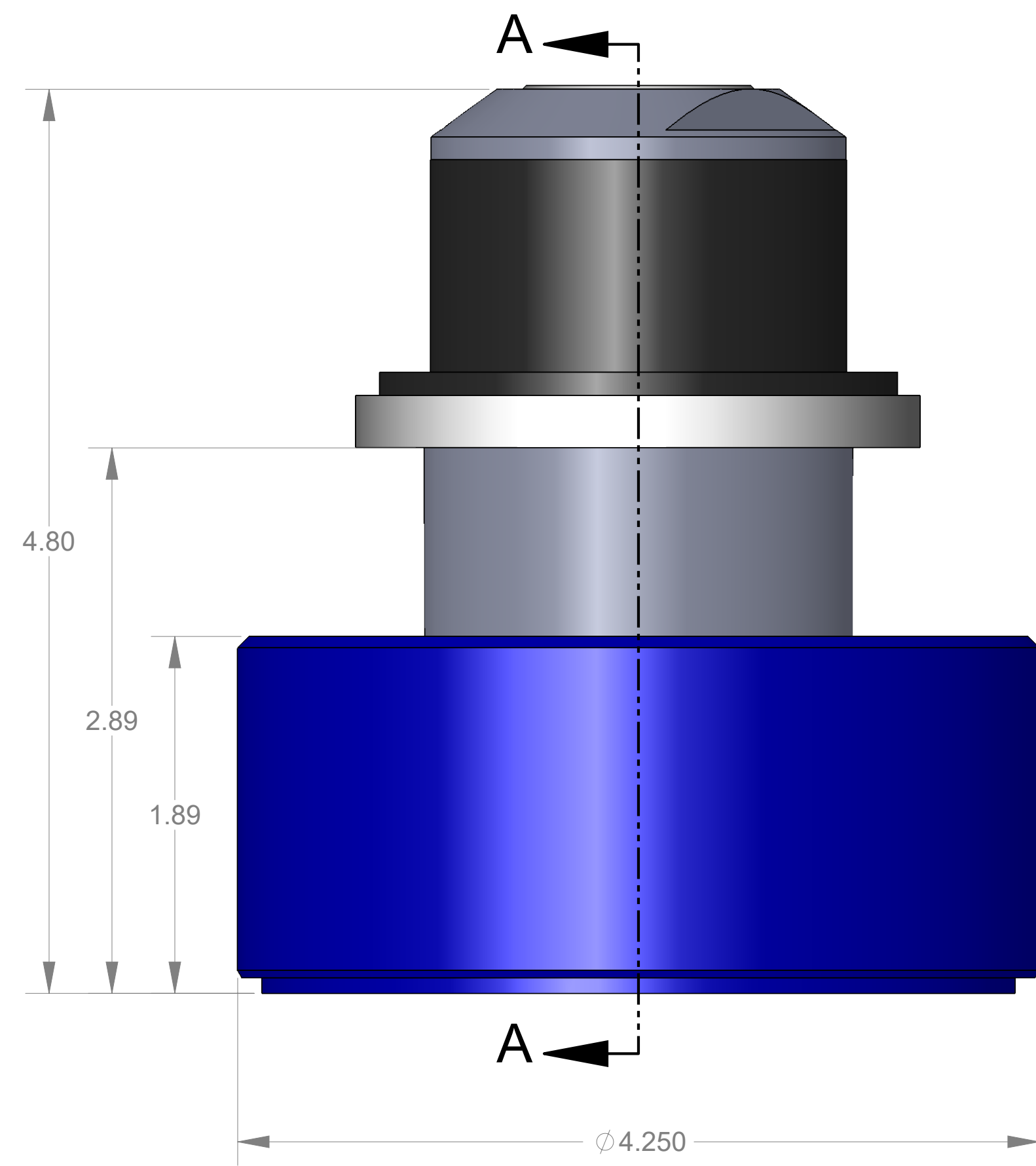
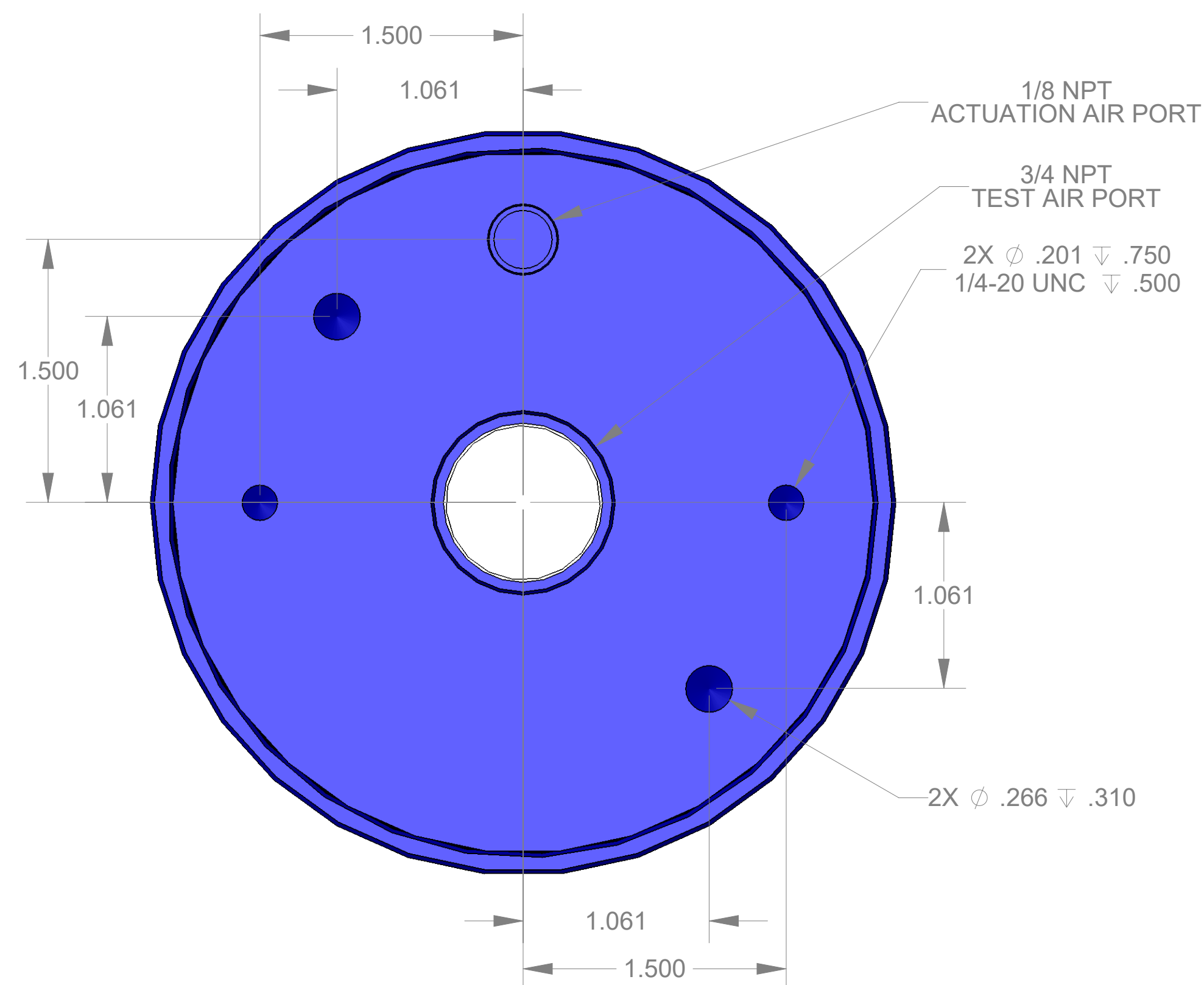
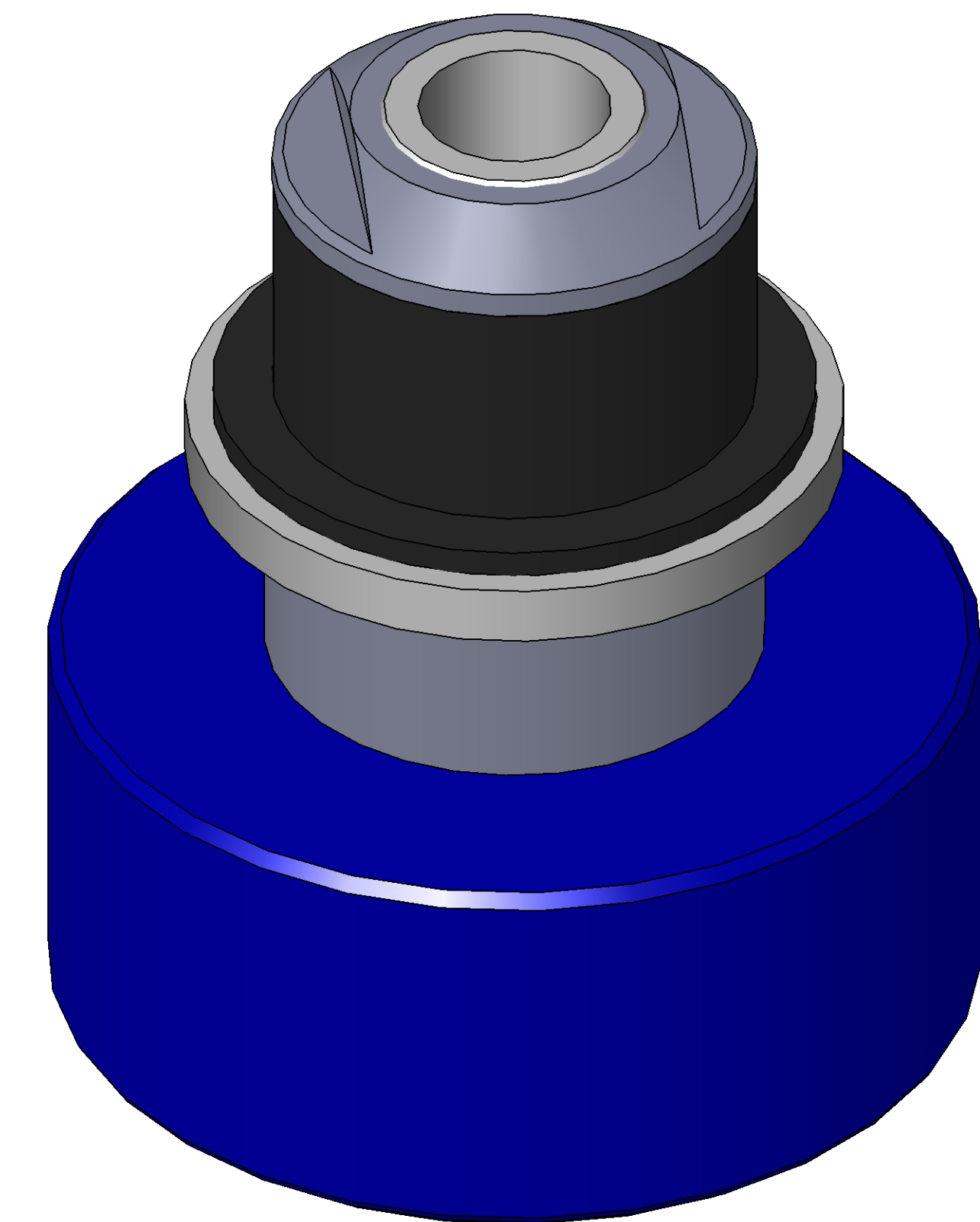


ITEM NO.	PART NUMBER	DESCRIPTION	QTY.
10	MACH-004187	Body, CTS, CI37/38	1
20	MACH-004254	Cap, CTS, CI37/38	1
30	SEAL-005440	CI37/38-ORING 222	1
40	SEAL-005444	CI37/38-ORING 342	1
50	MACH-054228	Stem, CTS, CI37/38-E1.0	1
60	MACH-004353	Nose, CTS, CI37-AB	1
70	MACH-004243	Seal Holder, CTS, CI37-AB	1
80	MACH-004600	Spacer Extension, CTS, CI37-CI38	1
90	SEAL-004979	Seal, CTS, CI37-NPT-2000	1



SECTION A-A
SCALE 3 : 2



REVISIONS			
REV.	DESCRIPTION	DATE	APPROVED
A	Initial Release	03-10-2026	KM
B	Nose material changed from brass to 316 stainless steel	04-06-2026	KM



10100 PROGRESS WAY HARRISON, OH 45030

SIZE	DESCRIPTION	REV
D	Connect Assembly, CTS, CI37-AB-E1.0	B
PART NUMBER	CTSC-001905	
DATE	8/12/05	DRAWN BY: KM CHECKED BY: KM SHEET 1 OF 1