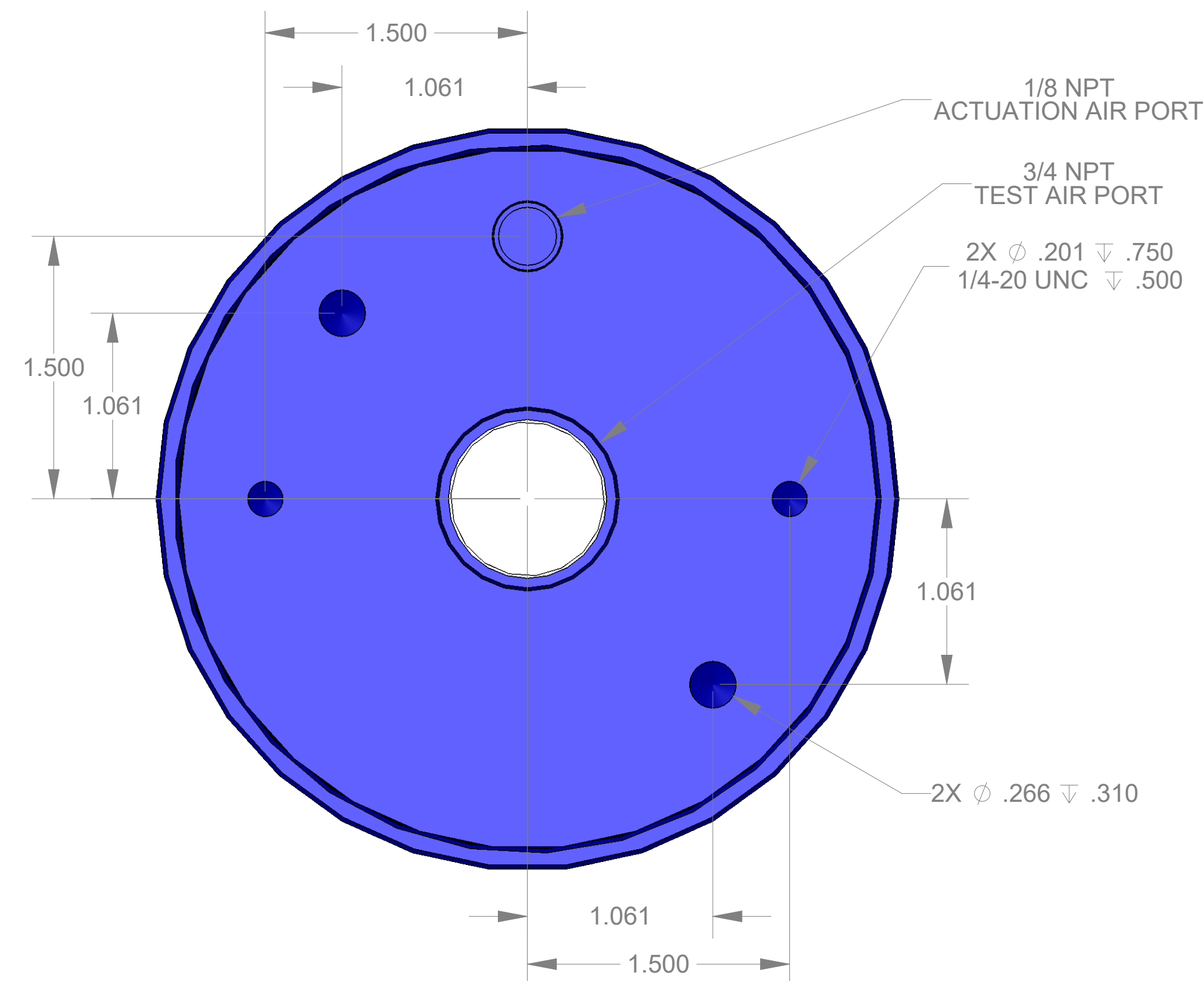
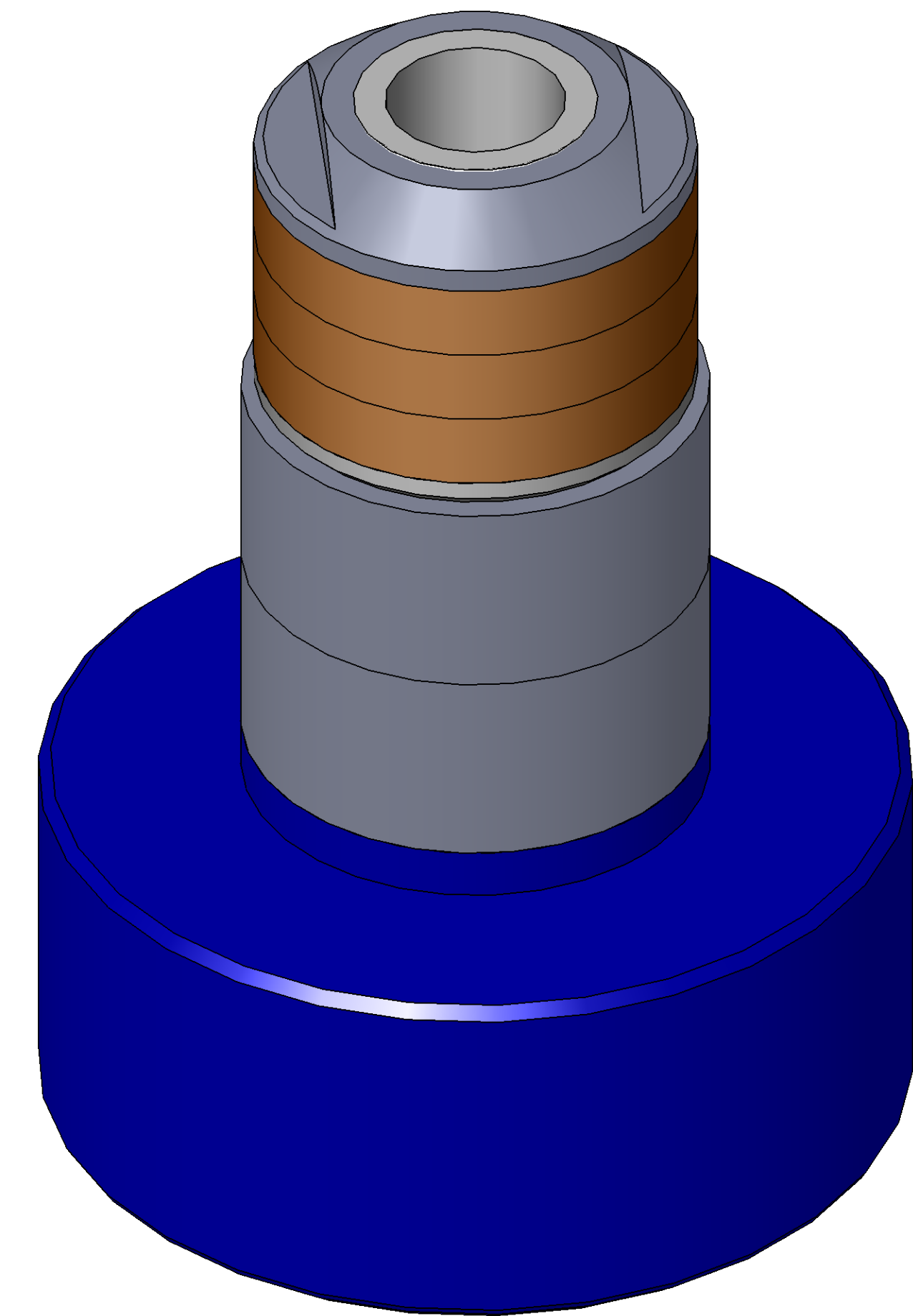
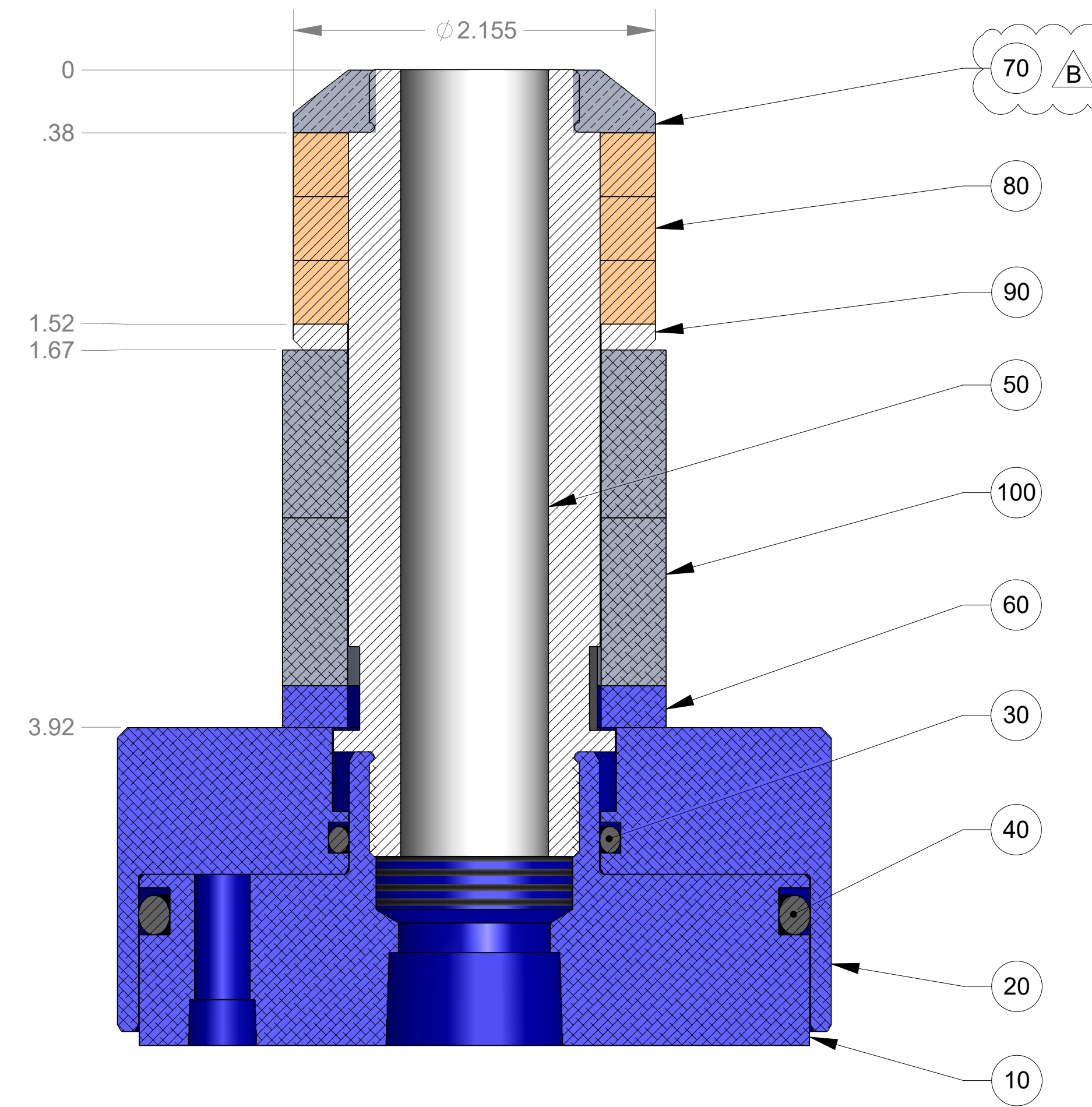
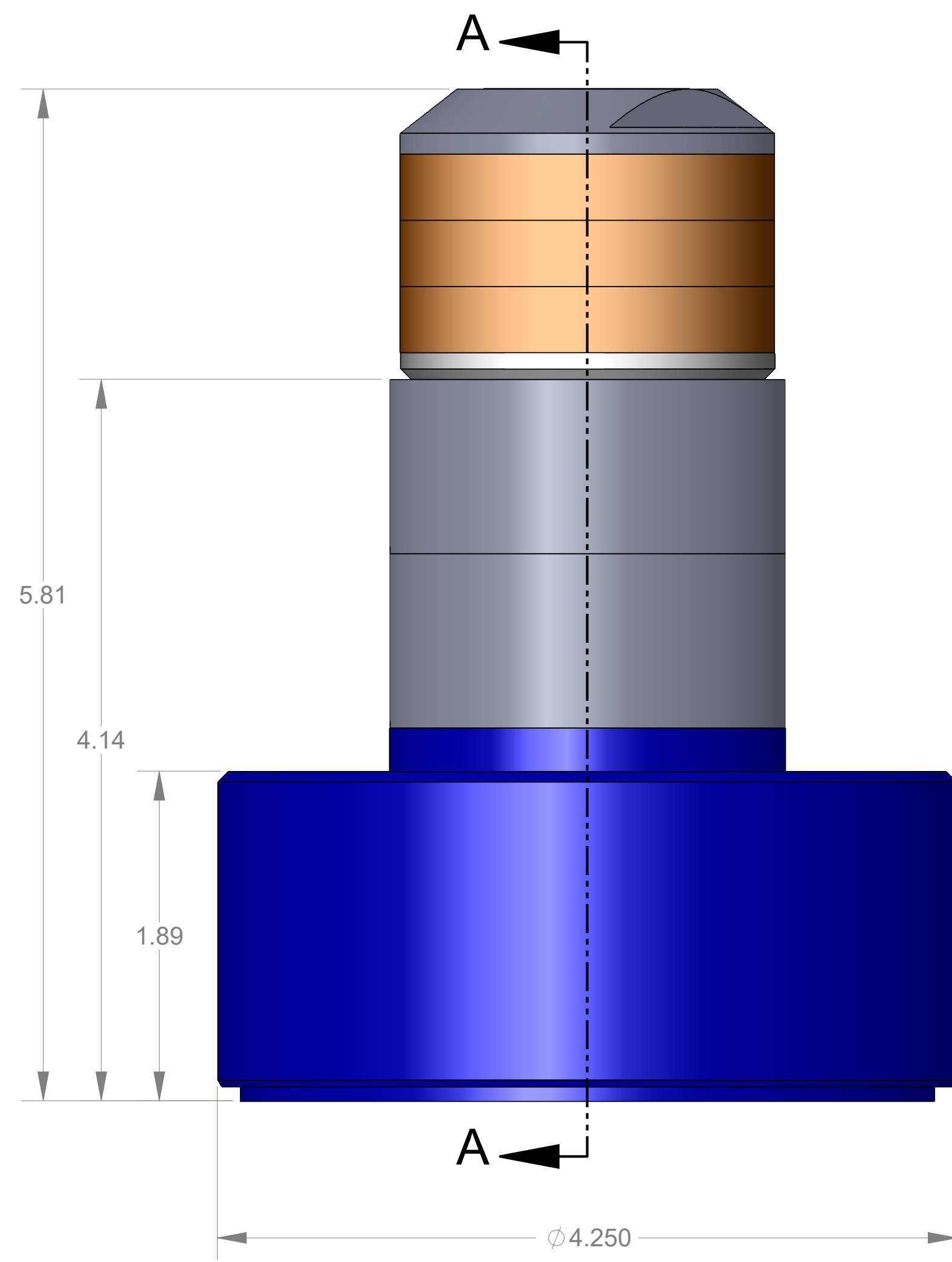


| ITEM NO. | PART NUMBER | DESCRIPTION | QTY. |
|----------|-------------|----------------------------------|------|
| 10 | MACH-004187 | Body, CTS, CI37/38 | 1 |
| 20 | MACH-004254 | Cap, CTS, CI37/38 | 1 |
| 30 | SEAL-005440 | CI37/38-ORING 222 | 1 |
| 40 | SEAL-005444 | CI37/38-ORING 342 | 1 |
| 50 | MACH-054229 | Stem, CTS, CI37/38-E2.0 | 1 |
| 60 | MACH-004599 | Spacer, CTS, CI37/38 | 1 |
| 70 | MACH-004352 | Nose, CTS, CI37-AA | 1 |
| 80 | SEAL-004964 | Seal, CTS, CI37-AA | 3 |
| 90 | MACH-004468 | Washer, CTS, CI37-AA | 1 |
| 100 | MACH-004600 | Spacer Extension, CTS, CI37-CI38 | 2 |



| REVISIONS | | | |
|-----------|---|------------|----------|
| REV. | DESCRIPTION | DATE | APPROVED |
| A | Initial Release | 01-23-2026 | KM |
| B | Nose material changed from brass to 316 stainless steel | 03-12-2026 | KM |



| | | |
|-------------|-------------------------------------|------|
| SIZE | DESCRIPTION | REV |
| D | Connect Assembly, CTS, CI37-AA-E2.0 | B |
| PART NUMBER | CTSC-001892 | |
| DATE | 8/12/05 | |
| DRAWN BY | KM | |
| CHECKED BY | KM | |
| SHEET | 1 | OF 1 |

FILE LOCATION: C:\PDM\PDM\R&D Product Development\CTS Connects\CI\Connect Assembly\Standard\CI37\2in Stem Extension\CTSC-001892

Thursday, March 12, 2026