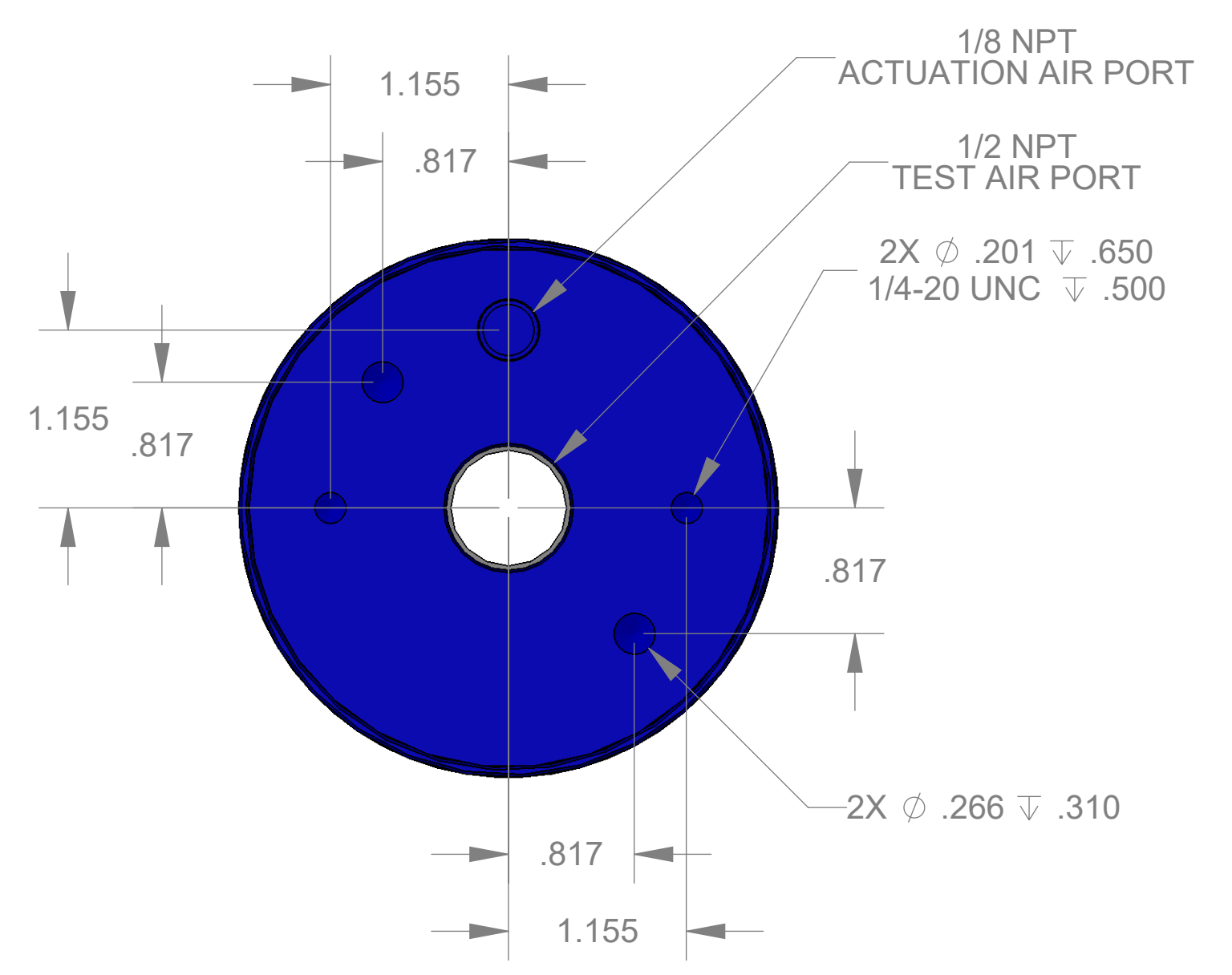
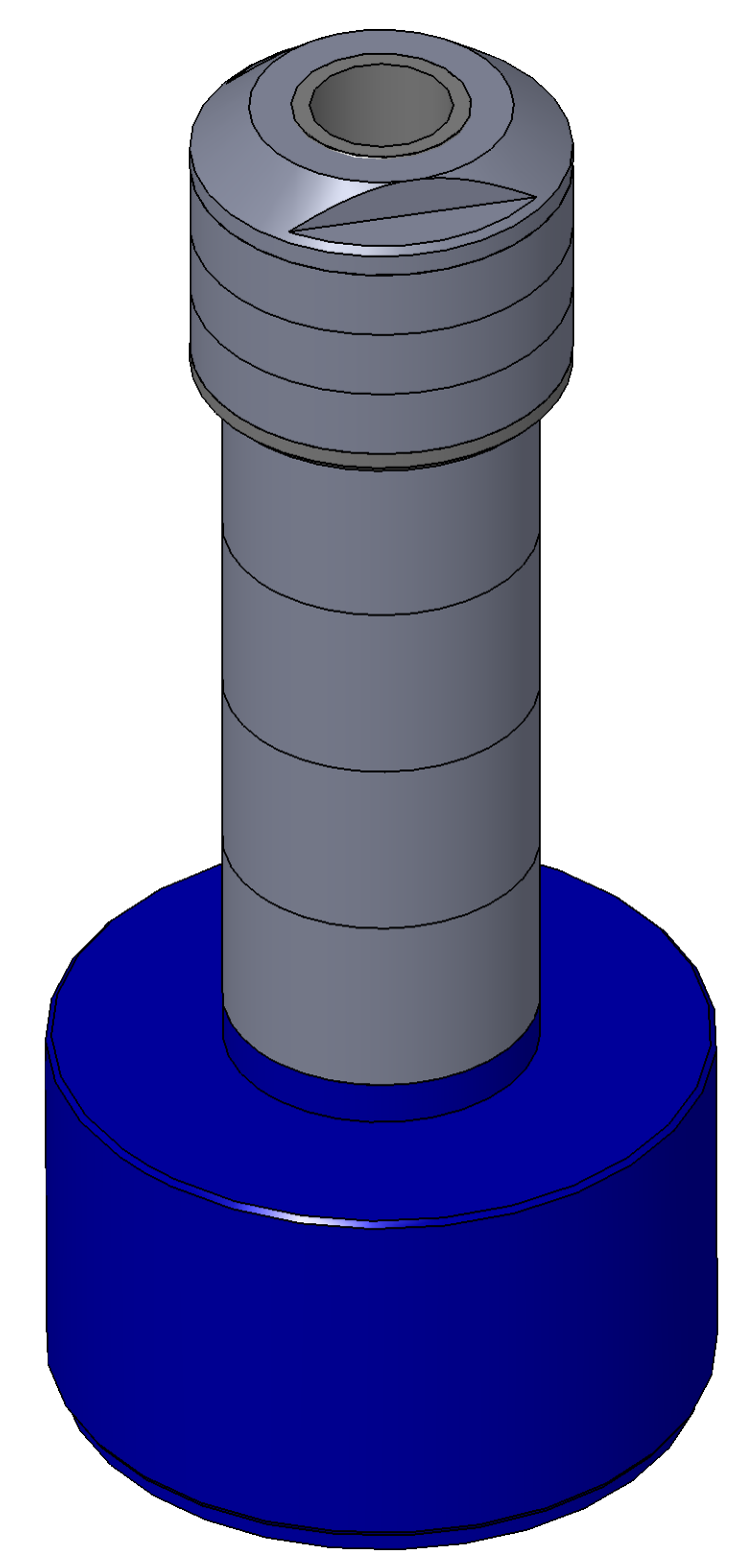


| ITEM NO. | PART NUMBER | DESCRIPTION                 | QTY. |
|----------|-------------|-----------------------------|------|
| 10       | MACH-004186 | Body, CTS, CI36             | 1    |
| 20       | MACH-004253 | Cap, CTS, CI36              | 1    |
| 30       | MACH-054227 | Stem, CTS, CI36-E4.0        | 1    |
| 40       | MACH-004597 | Spacer, CTS, CI36           | 1    |
| 50       | SEAL-005439 | CI36-ORING 217              | 1    |
| 60       | SEAL-005443 | CI35-ORING 337              | 1    |
| 70       | MACH-004351 | Nose, CTS, CI36-AD          | 1    |
| 80       | SEAL-004959 | Seal, CTS, CI36-AD-M        | 3    |
| 90       | MACH-004467 | Washer, CTS, CI36-AD        | 1    |
| 100      | CI36-S-1.00 | Spacer Extension, CTS, CI36 | 4    |



| REVISIONS |                                   |            |          |
|-----------|-----------------------------------|------------|----------|
| REV.      | DESCRIPTION                       | DATE       | APPROVED |
| A         | Initial Release                   | 03-16-2026 | KM       |
| B         | Changed material of nose and seal | 03-17-2026 | KM       |



|             |              |                |                                       |
|-------------|--------------|----------------|---------------------------------------|
| SIZE        | D            | DESCRIPTION    | Connect Assembly, CTS, CI36-AD-E4.0-M |
| PART NUMBER | CTSC-001880  |                | REV B                                 |
| DATE        | DRAWN BY: KM | CHECKED BY: KM | SHEET 1 OF 1                          |

FILE LOCATION: C:\PDM\PDM\R&D\Product Development\CTS Connects\CI\Connect Assembly\Medical\CI36-M\4in Stem Extension\CTSC-001880

Tuesday, March 17, 2026