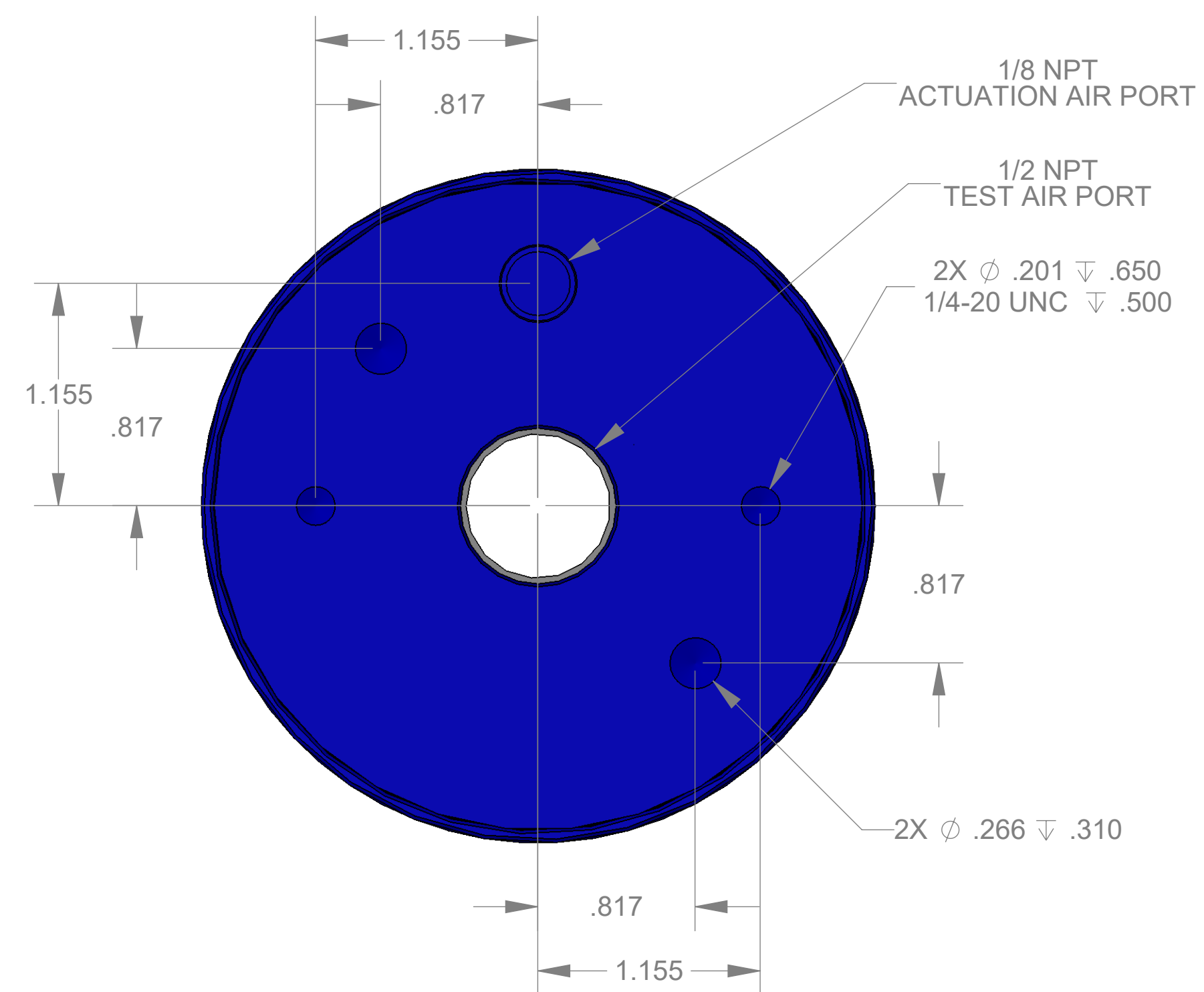
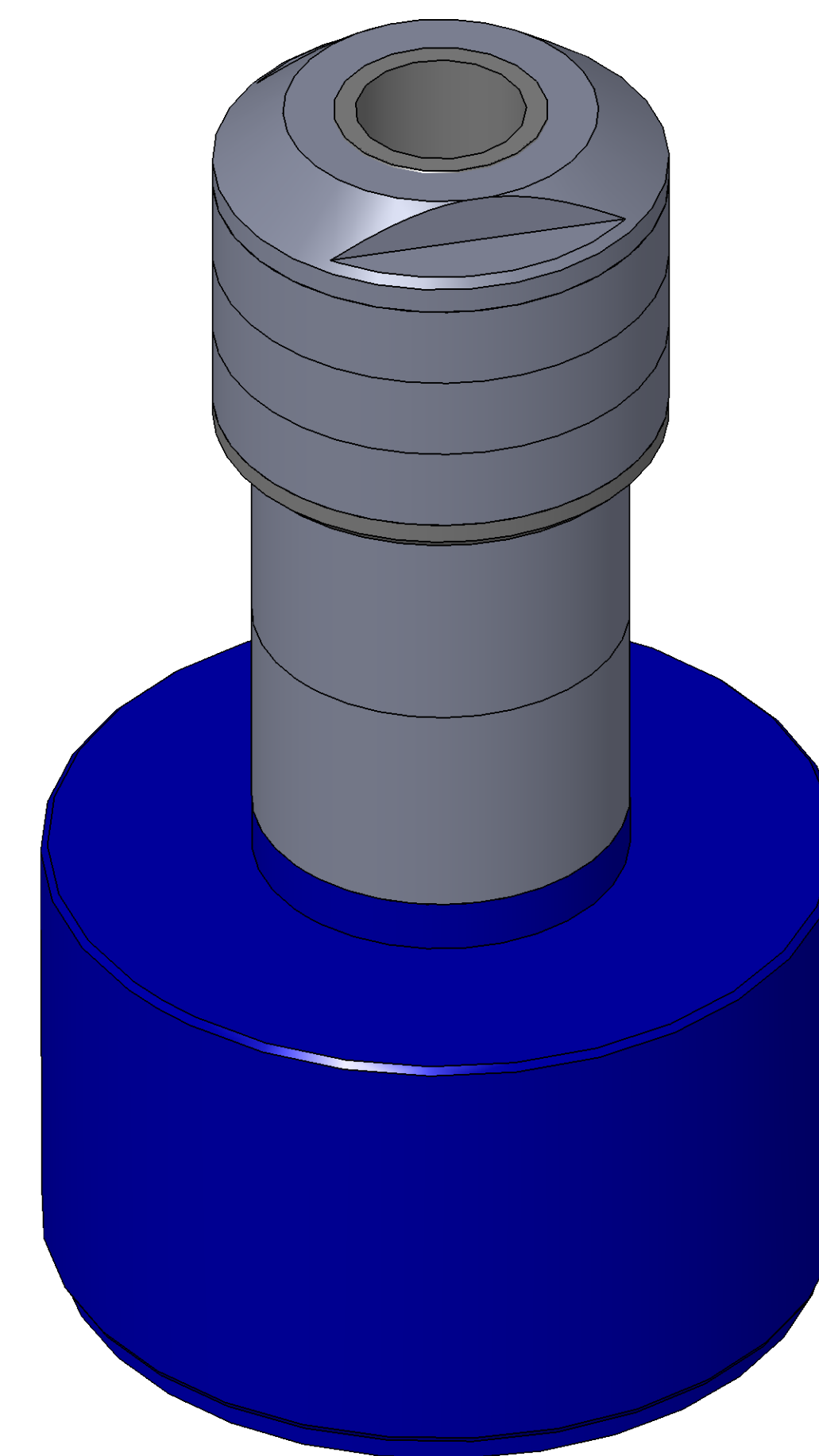


SECTION A-A  
SCALE 3 : 2



ITEM NO.	PART NUMBER	DESCRIPTION	QTY.
10	MACH-004186	Body, CTS, CI36	1
20	MACH-004253	Cap, CTS, CI36	1
30	MACH-054225	Stem, CTS, CI36-E2.0	1
40	MACH-004597	Spacer, CTS, CI36	1
50	SEAL-005439	CI36-ORING 217	1
60	SEAL-005443	CI35-ORING 337	1
70	MACH-004351	Nose, CTS, CI36-AD	1
80	SEAL-004959	Seal, CTS, CI36-AD-M	3
90	MACH-004467	Washer, CTS, CI36-AD	1
100	CI36-S-1.00	Spacer Extension, CTS, CI36	2



REVISIONS			
REV.	DESCRIPTION	DATE	APPROVED
A	Initial Release	03-16-2026	KM
B	Changed material of nose and seal	03-17-2026	KM



SIZE	DESCRIPTION	REV
D	Connect Assembly, CTS, CI36-AD-E2.0-M	B
PART NUMBER	CTSC-001878	
DATE	DRAWN BY: KM	CHECKED BY: KM
	SHEET 1	OF 1