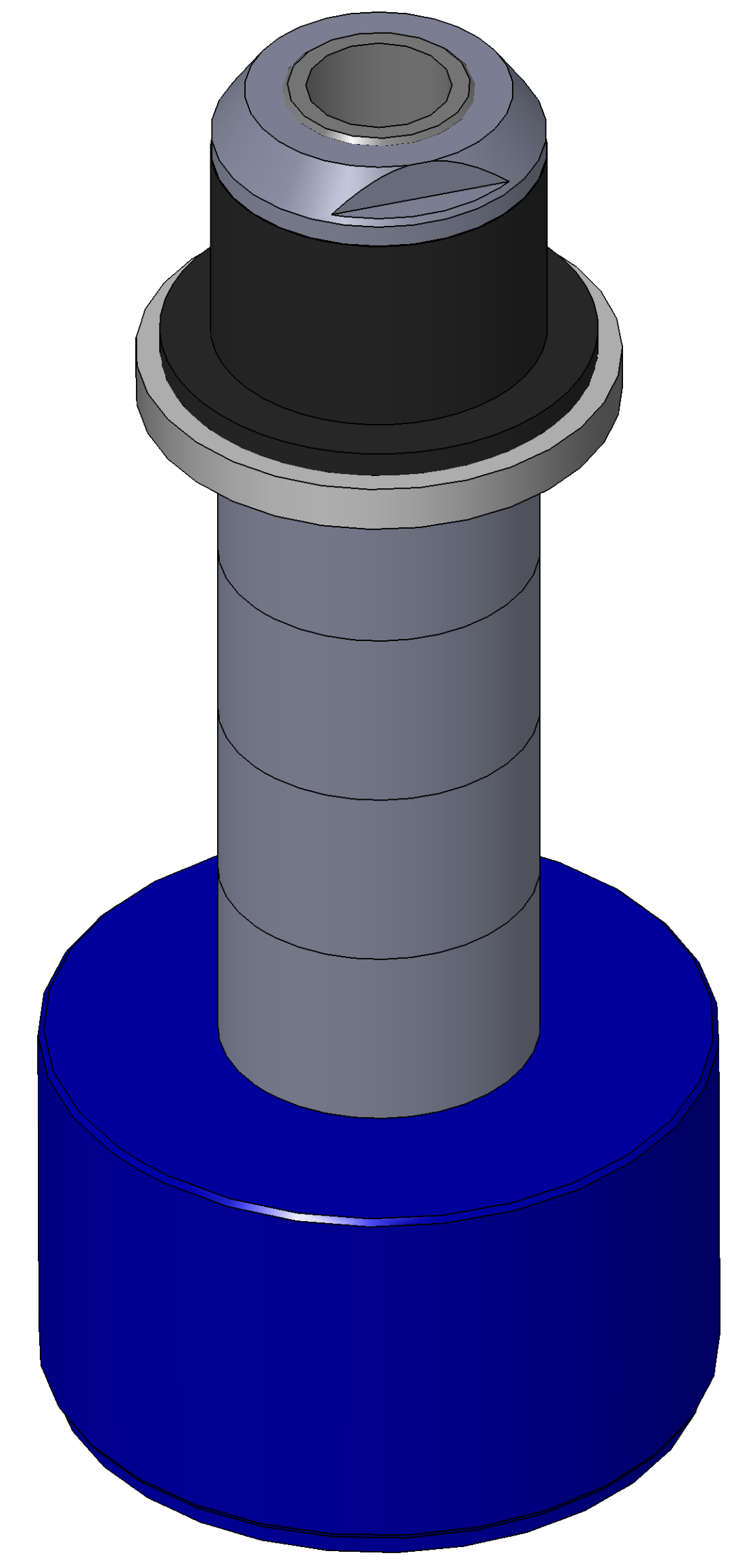


SECTION A-A
SCALE 3 : 2

ITEM NO.	PART NUMBER	DESCRIPTION	QTY.
10	MACH-004186	Body, CTS, CI36	1
20	MACH-004253	Cap, CTS, CI36	1
30	MACH-054227	Stem, CTS, CI36-E4.0	1
40	SEAL-005439	CI36-ORING 217	1
50	SEAL-005443	CI35-ORING 337	1
60	MACH-004349	Nose, CTS, CI36-AB	1
70	MACH-004241	Seal Holder, CTS, CI36-AB	1
80	MACH-004598	Spacer Extension, CTS, CI36	4
90	SEAL-004961	Seal, CTS, CI36-NPT-1500	1



REVISIONS			
REV.	DESCRIPTION	DATE	APPROVED
A	Initial Release	03-10-2026	KM
B	Nose material changed from brass to 316 stainless steel	04-06-2026	KM



SIZE	DESCRIPTION	REV
D	Connect Assembly, CTS, CI36-AB-E4.0	B
PART NUMBER		REV
CTSC-001847		B
DATE	DRAWN BY	CHECKED BY
11/04/05	KM	KM
SHEET		OF
1		1

FILE LOCATION: C:\PDM\PDM\R&D Product Development\CTS Connects\CI\Connect Assembly\Standard\CI36\4in Stem Extension\CTSC-001847

Monday, April 6, 2026