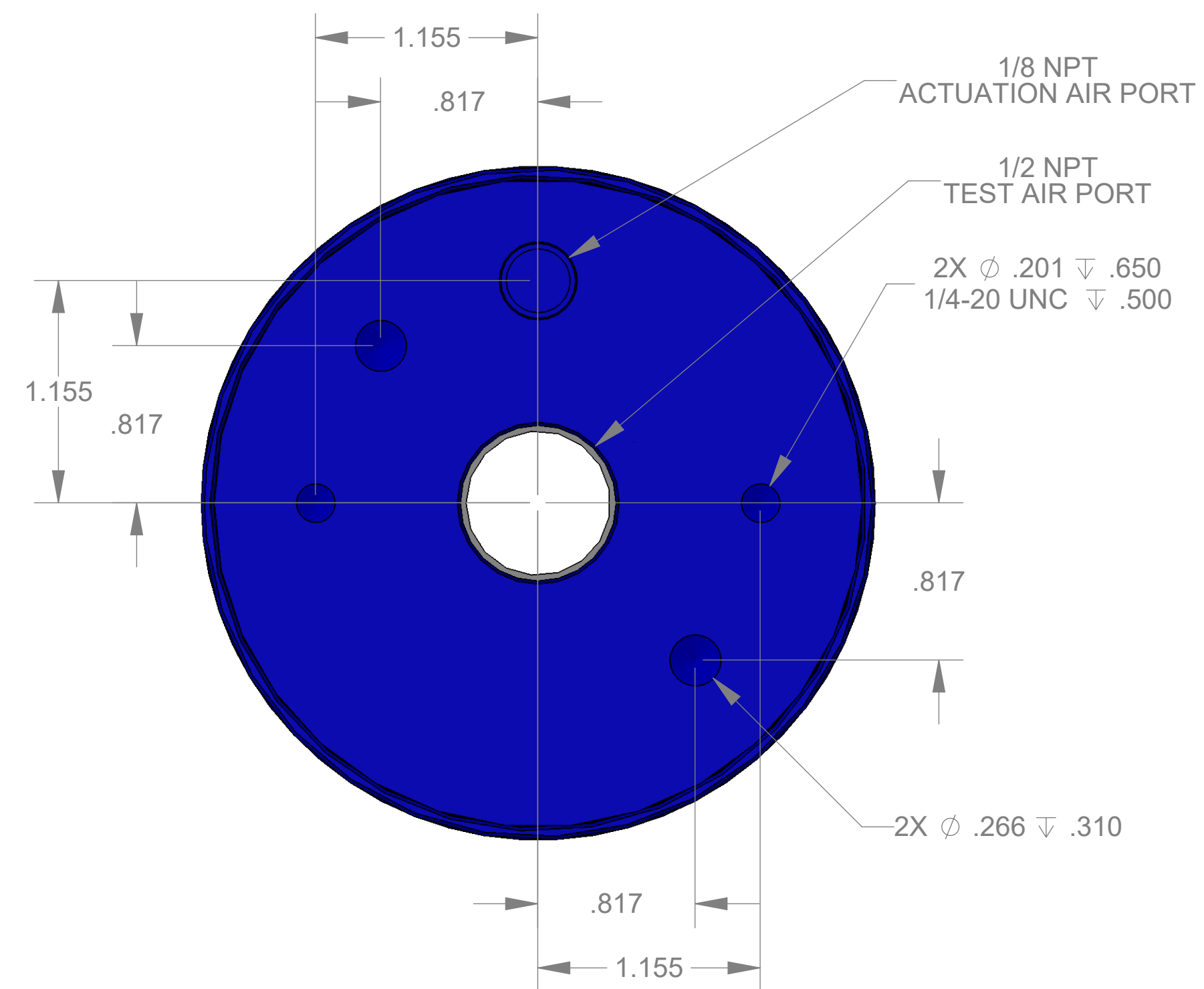
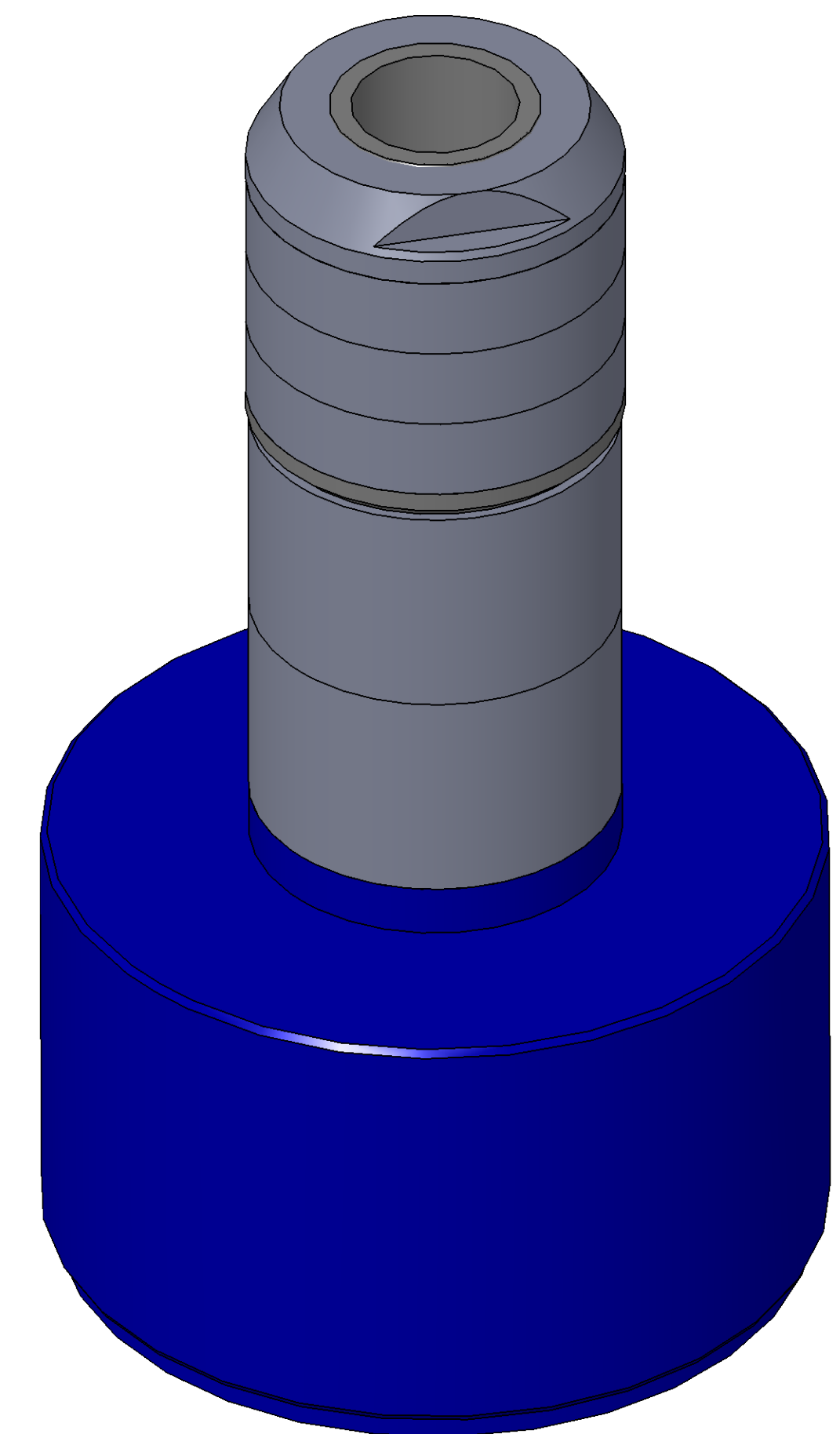


ITEM NO.	PART NUMBER	DESCRIPTION	QTY.
10	MACH-004186	Body, CTS, CI36	1
20	MACH-004253	Cap, CTS, CI36	1
30	MACH-054225	Stem, CTS, CI36-E2.0	1
40	MACH-004597	Spacer, CTS, CI36	1
50	SEAL-005439	CI36-ORING 217	1
60	SEAL-005443	CI35-ORING 337	1
70	MACH-004348	Nose, CTS, CI36-AA	1
80	SEAL-004943	Seal, CTS, CI36-AA-M	3
90	MACH-004465	Washer, CTS, CI36-AA	1
100	CI36-S-1.00	Spacer Extension, CTS, CI36	2



SECTION A-A
SCALE 3 : 2

REVISIONS			
REV.	DESCRIPTION	DATE	APPROVED
A	Initial Release	02-02-2026	KM
B	Changed material of nose and seal	03-17-2026	KM



10100 PROGRESS WAY HARRISON, OH 45030

SIZE	D	DESCRIPTION	Connect Assembly, CTS, CI36-AA-E2.0-M
PART NUMBER	CTSC-001836		REV B
DATE	DRAWN BY: KM	CHECKED BY: KM	SHEET 1 OF 1