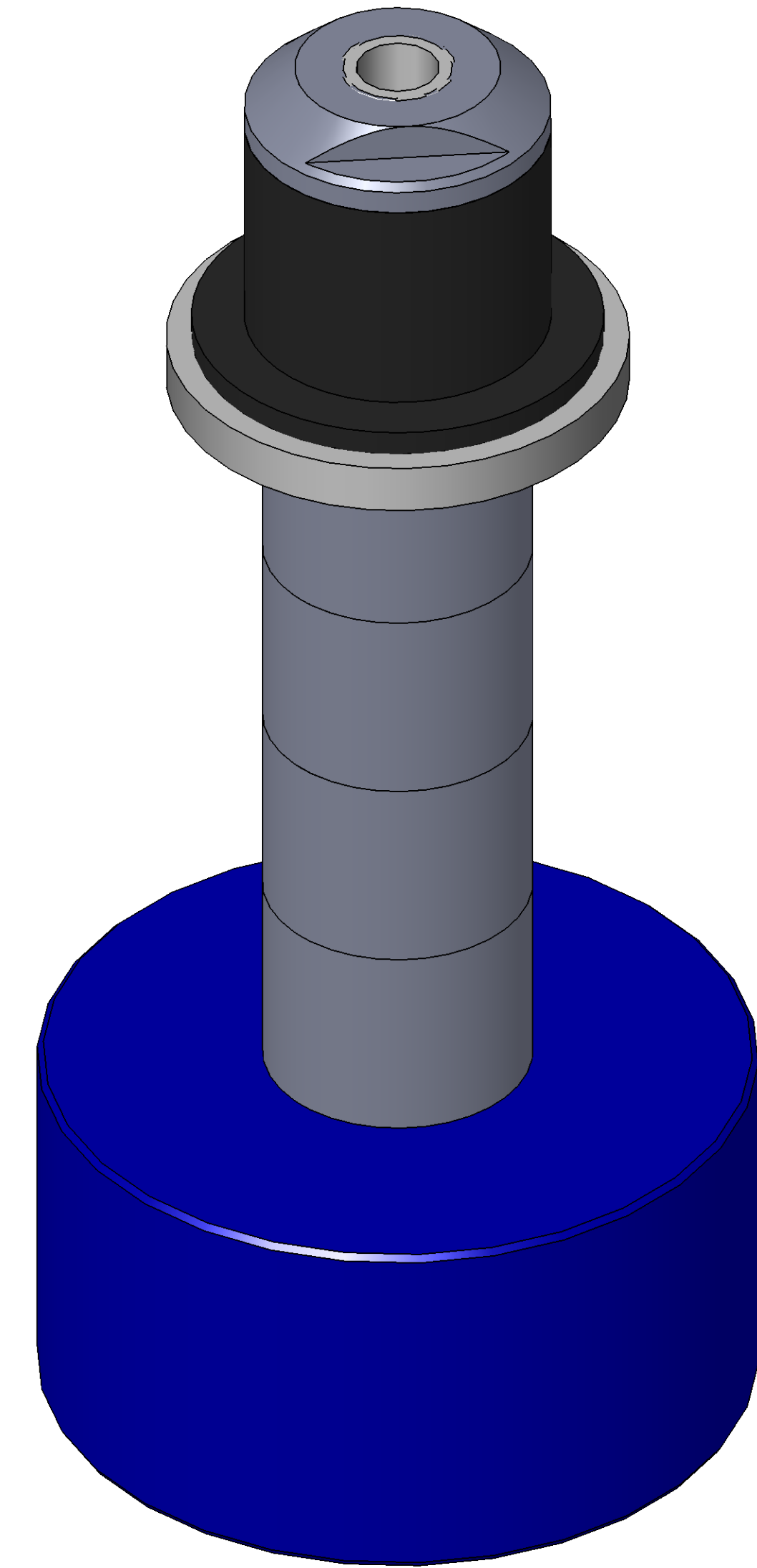


SECTION A-A
SCALE 3 : 2

| ITEM NO. | PART NUMBER | DESCRIPTION | QTY. |
|----------|-------------|-----------------------------|------|
| 10 | MACH-004185 | Body, CTS, CI35 | 1 |
| 20 | MACH-004252 | Cap, CTS, CI35 | 1 |
| 30 | MACH-054223 | Stem, CTS, CI35-E4.0 | 1 |
| 40 | SEAL-005449 | CI35-ORING 210 | 1 |
| 50 | SEAL-005443 | CI35-ORING 337 | 1 |
| 60 | MACH-004341 | Nose, CTS, CI35-AC | 1 |
| 70 | MACH-004240 | Seal Holder, CTS, CI35-AC | 1 |
| 80 | MACH-004592 | Spacer Extension, CTS, CI35 | 4 |
| 90 | SEAL-004931 | Seal, CTS, CI35-NPT-1250 | 1 |



| REVISIONS | | | |
|-----------|---|------------|----------|
| REV. | DESCRIPTION | DATE | APPROVED |
| A | Initial Release | 03-10-2026 | KM |
| B | Nose material changed from brass to 316 stainless steel | 04-06-2026 | KM |



10100 PROGRESS WAY HARRISON, OH 45030

| | | |
|-------------|-------------------------------------|------------|
| SIZE | DESCRIPTION | REV |
| D | Connect Assembly, CTS, CI35-AC-E4.0 | B |
| PART NUMBER | | REV |
| CTSC-001800 | | B |
| DATE | DRAWN BY | CHECKED BY |
| 11/04/05 | KM | KM |
| SHEET | | OF |
| 1 | | 1 |

FILE LOCATION: C:\PDM\PDM\R&D\Product Development\CTS Connects\C\Connect Assembly\Standard\CI35\4in Stem Extension\CTSC-001800

Monday, April 6, 2026