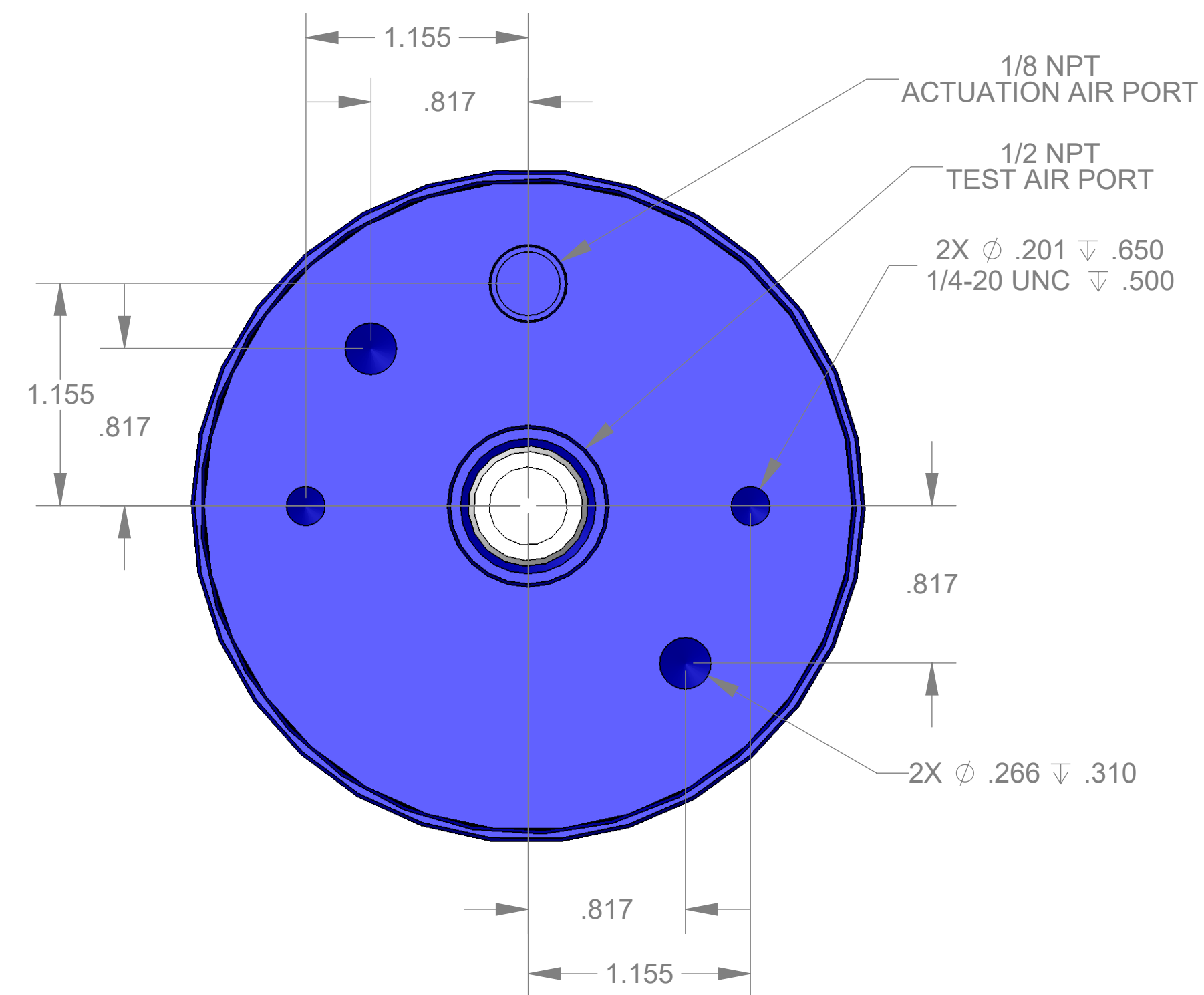
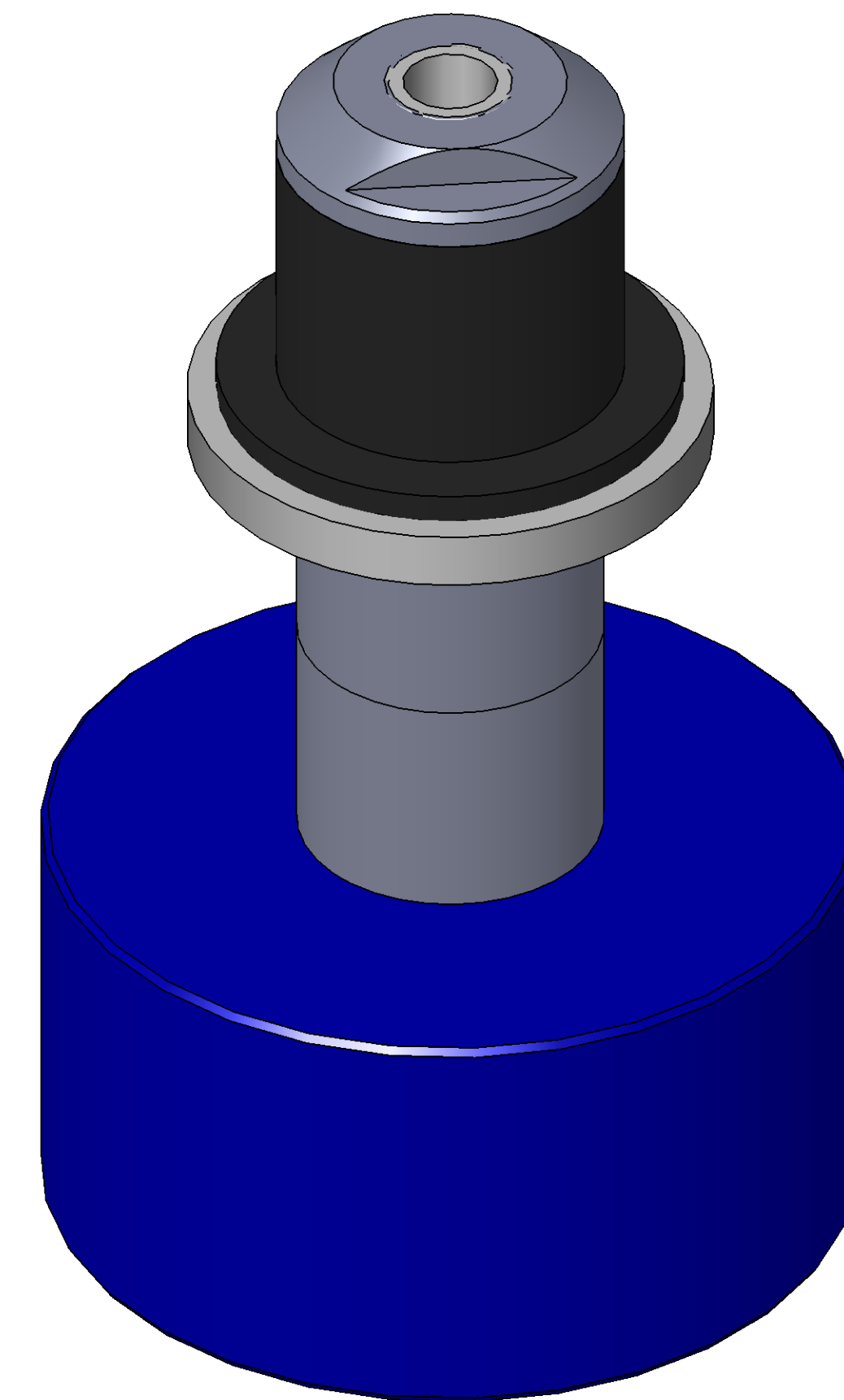


ITEM NO.	PART NUMBER	DESCRIPTION	QTY.
10	MACH-004185	Body, CTS, CI35	1
20	MACH-004252	Cap, CTS, CI35	1
30	MACH-054221	Stem, CTS, CI35-E2.0	1
40	SEAL-005449	CI35-ORING 210	1
50	SEAL-005443	CI35-ORING 337	1
60	MACH-004341	Nose, CTS, CI35-AC	1
70	MACH-004240	Seal Holder, CTS, CI35-AC	1
80	MACH-004592	Spacer Extension, CTS, CI35	2
90	SEAL-004931	Seal, CTS, CI35-NPT-1250	1



REVISIONS			
REV.	DESCRIPTION	DATE	APPROVED
A	Initial Release	03-10-2026	KM
B	Nose material changed from brass to 316 stainless steel	04-06-2026	KM



SIZE	DESCRIPTION	REV
D	Connect Assembly, CTS, CI35-AC-E2.0	B
PART NUMBER	CTSC-001798	
DATE	11/04/05	DRAWN BY: KM CHECKED BY: KM SHEET 1 OF 1

FILE LOCATION: C:\PDM\PDM\R&D Product Development\CTS Connects\C\Connect Assembly\Standard\CI35\2in Stem Extension\CTSC-001798

Monday, April 6, 2026