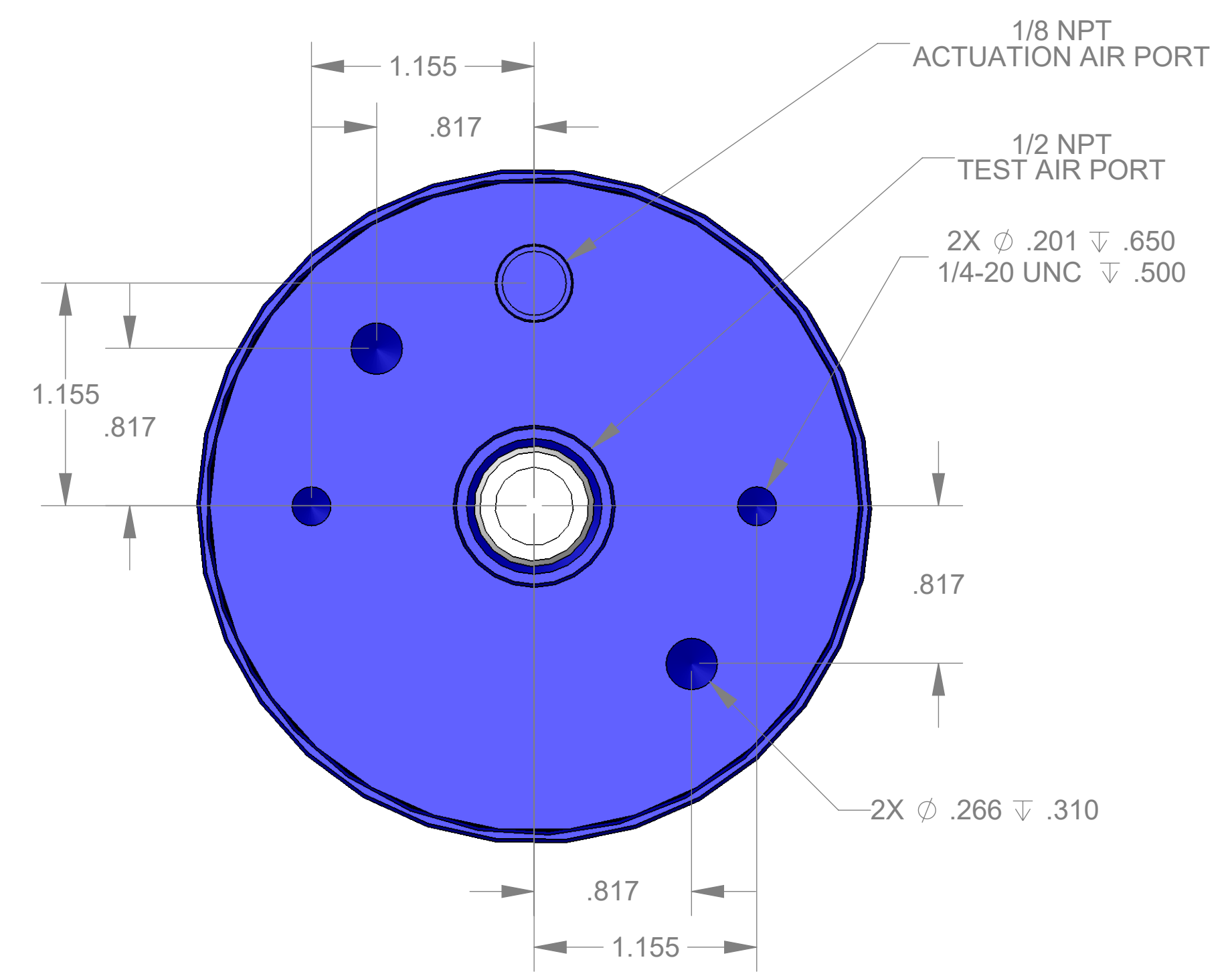
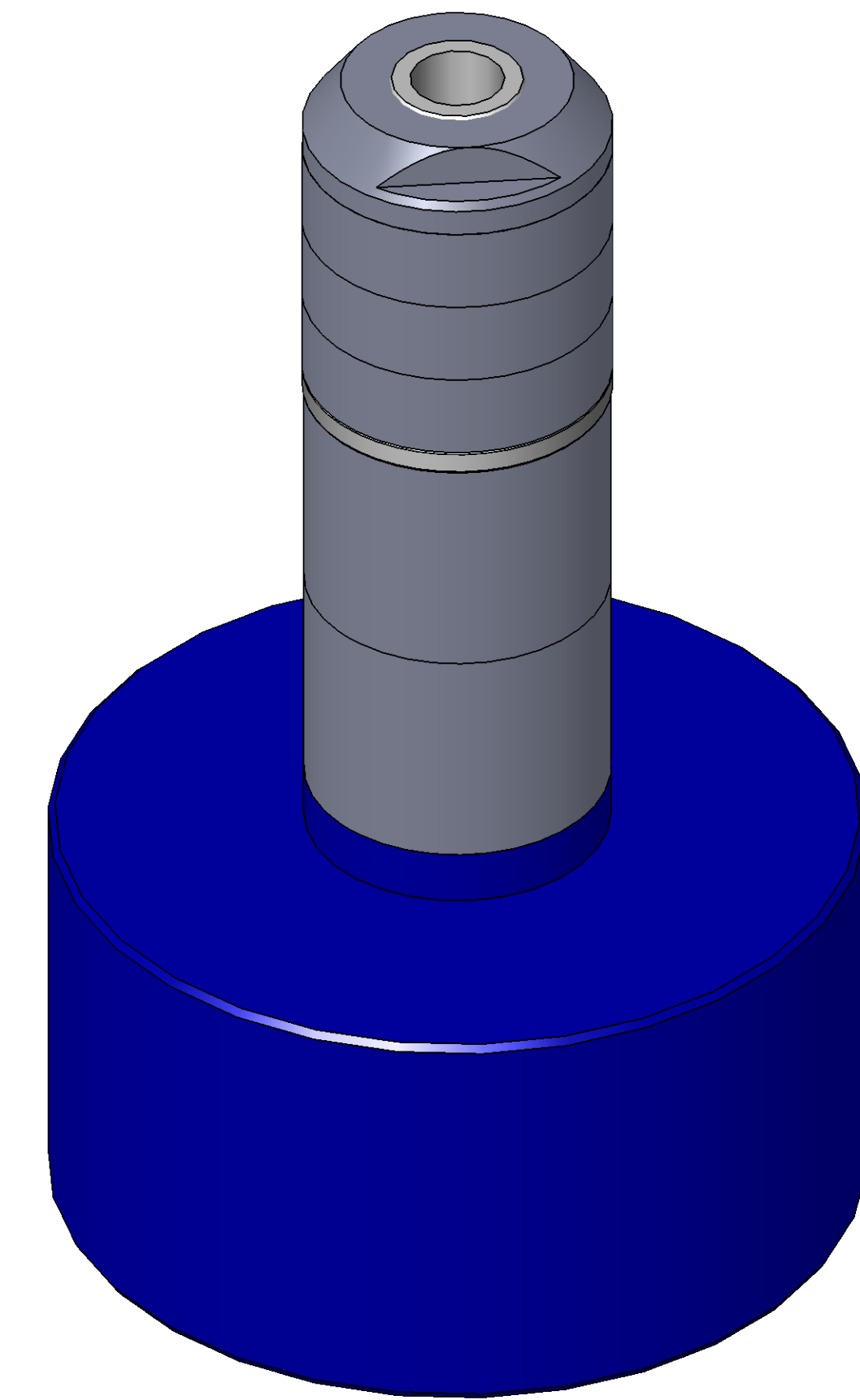


SECTION A-A  
SCALE 3 : 2

| ITEM NO. | PART NUMBER | DESCRIPTION                 | QTY. |
|----------|-------------|-----------------------------|------|
| 10       | MACH-004185 | Body, CTS, CI35             | 1    |
| 20       | MACH-004252 | Cap, CTS, CI35              | 1    |
| 30       | MACH-054221 | Stem, CTS, CI35-E2.0        | 1    |
| 40       | MACH-004591 | Spacer, CTS, CI35           | 1    |
| 50       | SEAL-005449 | CI35-ORING 210              | 1    |
| 60       | SEAL-005443 | CI35-ORING 337              | 1    |
| 70       | MACH-004338 | Nose, CTS, CI35-AA          | 1    |
| 80       | SEAL-004911 | Seal, CTS, CI35-AA-M        | 3    |
| 90       | MACH-004460 | Washer, CTS, CI35-AA        | 1    |
| 100      | MACH-004592 | Spacer Extension, CTS, CI35 | 2    |



| REVISIONS |                                   |            |          |
|-----------|-----------------------------------|------------|----------|
| REV.      | DESCRIPTION                       | DATE       | APPROVED |
| A         | Initial Release                   | 01-30-2026 | KM       |
| B         | Changed material of nose and seal | 03-17-2026 | KM       |



|             |             |             |                                       |
|-------------|-------------|-------------|---------------------------------------|
| SIZE        | D           | DESCRIPTION | Connect Assembly, CTS, CI35-AA-E2.0-M |
| PART NUMBER | CTSC-001775 |             | REV B                                 |
| DATE        | DRAWN BY    | KM          | CHECKED BY KM SHEET 1 OF 1            |

FILE LOCATION: C:\PDM\PDM\R&D\Product Development\CTS Connects\CI\Connect Assembly\Medical\CI35-M\2in Stem Extension\CTSC-001775\

Tuesday, March 17, 2026