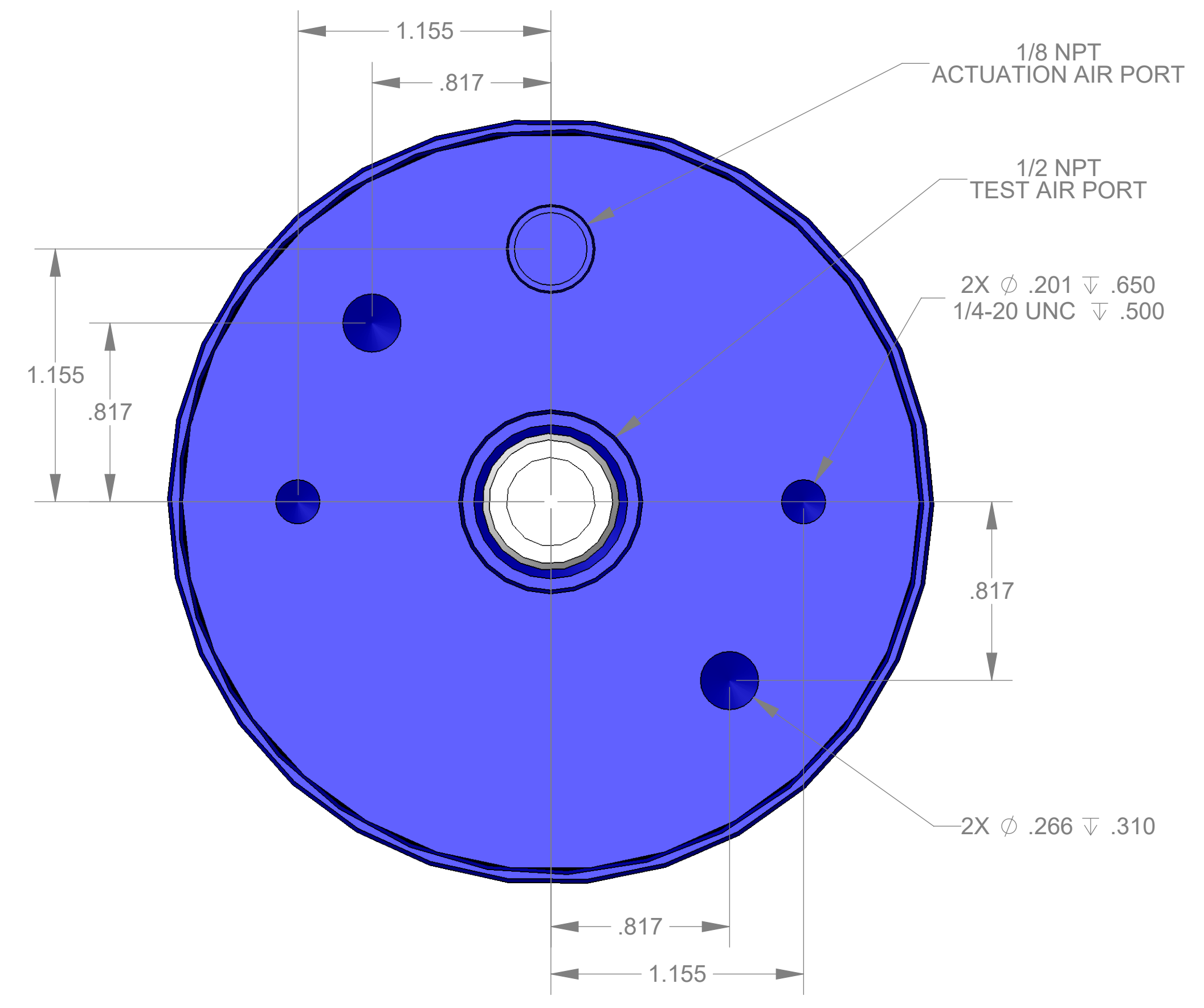
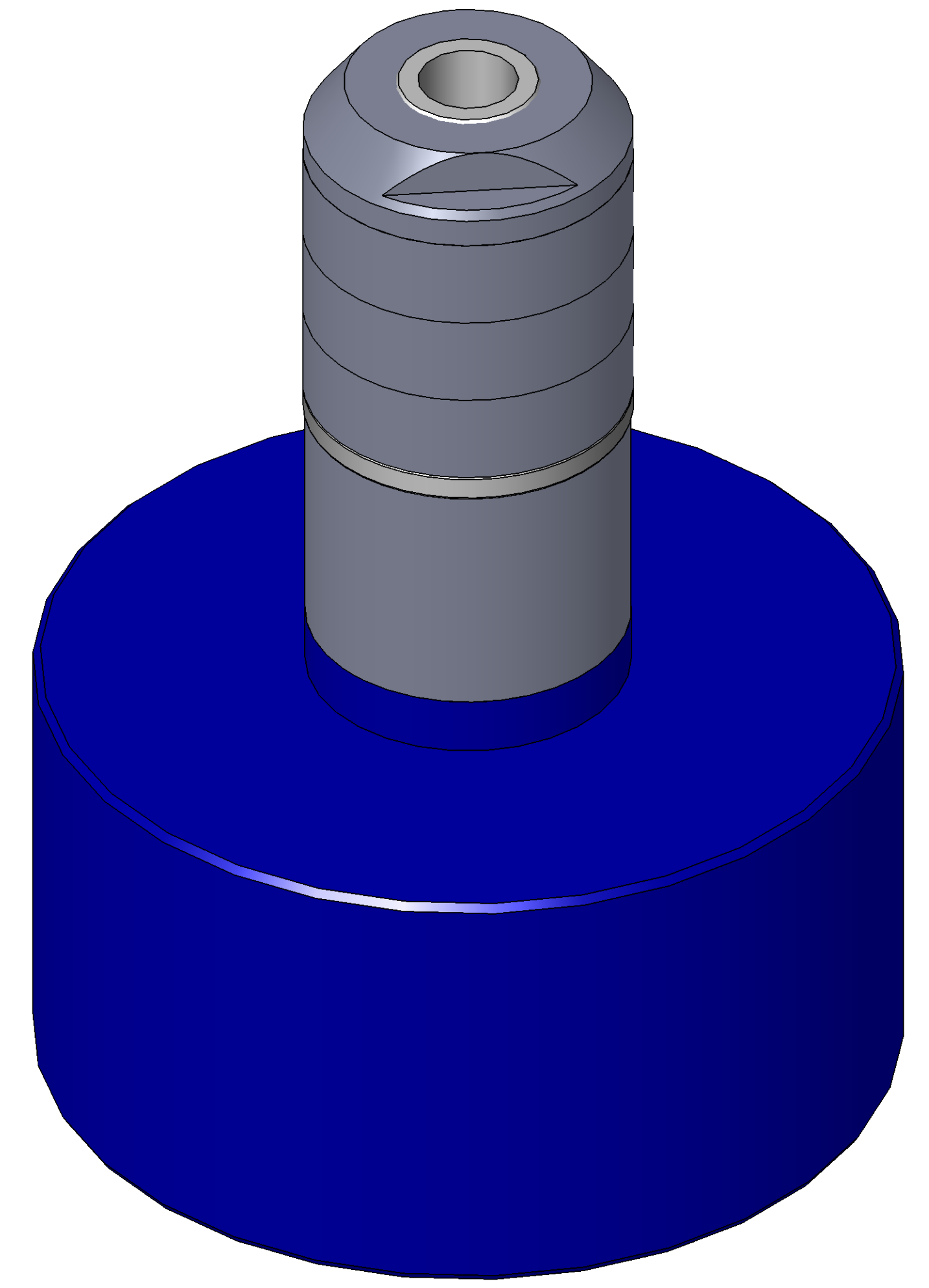


ITEM NO.	PART NUMBER	DESCRIPTION	QTY.
10	MACH-004185	Body, CTS, CI35	1
20	MACH-004252	Cap, CTS, CI35	1
30	MACH-054219	Stem, CTS, CI35-E1.0	1
40	MACH-004591	Spacer, CTS, CI35	1
50	SEAL-005449	CI35-ORING 210	1
60	SEAL-005443	CI35-ORING 337	1
70	MACH-004338	Nose, CTS, CI35-AA	1
80	SEAL-004911	Seal, CTS, CI35-AA-M	3
90	MACH-004460	Washer, CTS, CI35-AA	1
100	MACH-004592	Spacer Extension, CTS, CI35	1



SECTION A-A  
SCALE 2:1

REVISIONS			
REV.	DESCRIPTION	DATE	APPROVED
A	Initial Release	01-30-2026	KM
B	Changed material of nose and seal	03-17-2026	KM



10100 PROGRESS WAY HARRISON, OH 45030

SIZE	DESCRIPTION	REV
D	Connect Assembly, CTS, CI35-AA-E1.0-M	B
PART NUMBER	CTSC-001774	
DATE	DRAWN BY: KM	CHECKED BY: KM
		SHEET 1 OF 1

FILE LOCATION: C:\PDM\PDM\R&D\Product Development\CTS Connects\C\Connect Assembly\Medical\CI35-M\1in Stem Extension\CTSC-001774

Tuesday, March 17, 2026